

2 PIECES SPLIT BODY STAINLESS STEEL BALL VALVES FLANGED CLASS 150 PN20

2 pieces stainless steel Split body ball valve with full bore for Chemical industries, petrochemical industries, hydraulic installation, heating, water distribution, compressed air.

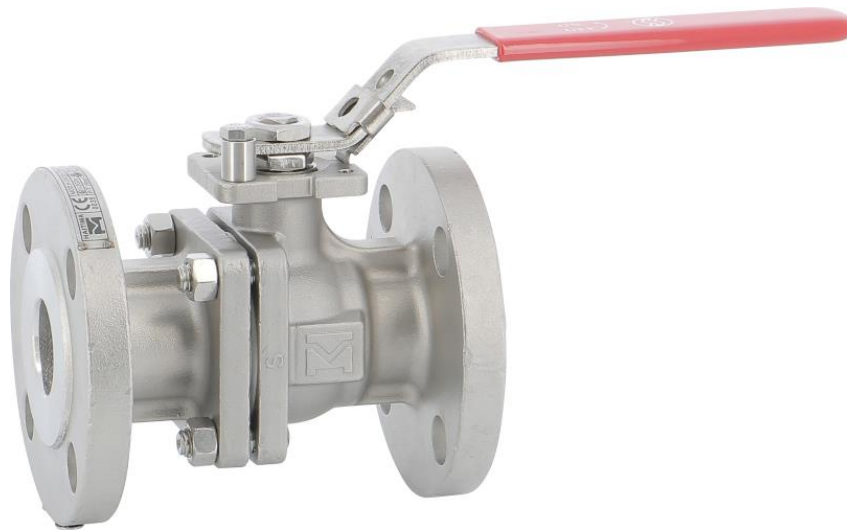
Ball valve with firesafe certificate API 607 to reduce risks in case of fire.

PTFE filled with 15% glass seat for a temperature up to +200°C.

Compatible with explosive atmosphere, ATEX Zone 1&21 and Zone 2&22 thanks to the antistatic device.

Handling possible with gearbox.

Thanks to the ISO 5211 plate, an actuator can be installed on the valve.



Size : DN15 to DN200 (NPS 1/2" to 8")

Connection : Flanged Class 150 PN20 RF

Min Temperature : -20°C

Max Temperature : +200°C

Max Pressure : 19 bars

Specifications : Double Antistatic device, ATEX
ISO 5211 mounting pad
Anti blow-out stem, full bore
PTFE filled with 15% glass seat
Fire Safe API 607

Materials : Stainless steel ASTM A351 CF8M



2 PIECES SPLIT BODY STAINLESS STEEL BALL VALVES FLANGED CLASS 150 PN20

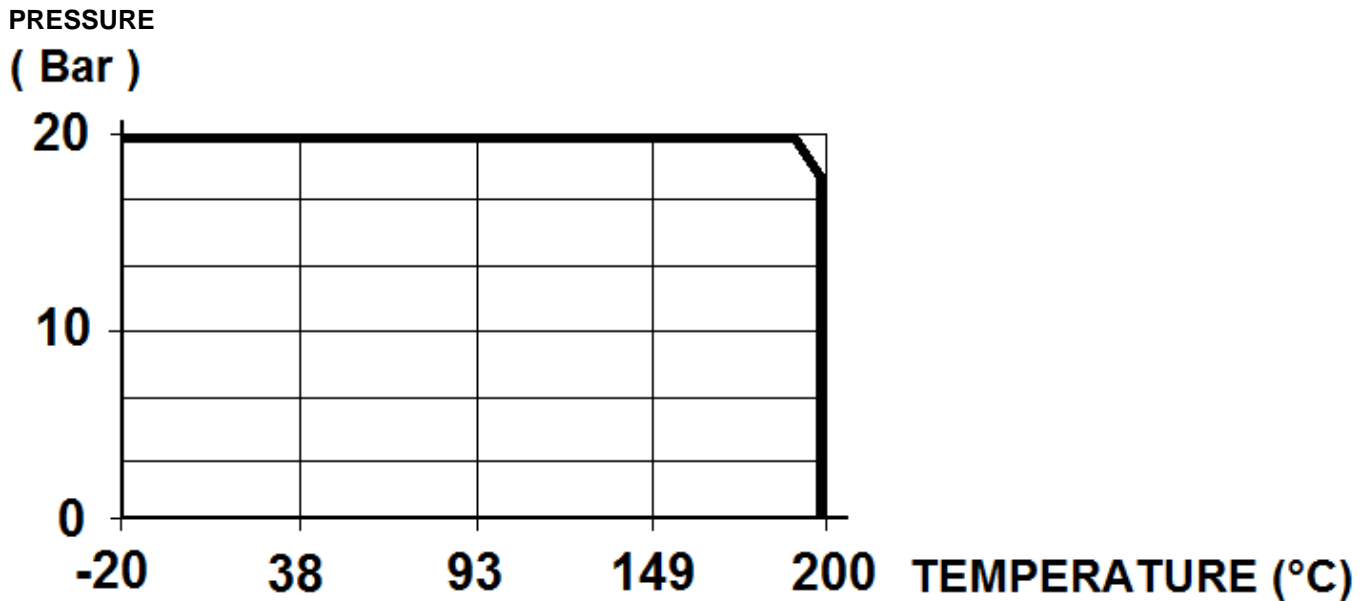
SPECIFICATIONS :

- Full bore
- Anti blow-out stem
- Double antistatic device
- PTFE filled with 15% glass seat
- Locking device
- ISO 5211 mounting pad
- 2 pieces type (Split body)
- Hollowed ball from DN125 to DN200
- With exhaust hole in the ball (located in the top of the ball to avoid overpressure in it)

USE :

- Chemical industries, petrochemical industries, hydraulic installation, compressed air, heating and water distribution
- Steam : 11 bars maximum
- Min and max Temperatures Ts : -20°C to + 200°C
- Max Pressure Ps : 19 bars (see graph under)

PRESSURE / TEMPERATURE GRAPH (STEAM EXCLUDED) :



FLOW COEFFICIENT Kvs (M3 / h) :

| DN | 15 | 20 | 25 | 32 | 40 | 50 | 65 | 80 | 100 | 125 | 150 | 200 |
|--------------|------|------|----|-------|-------|-----|-------|-----|------|------|------|------|
| NPS (") | 1/2" | 3/4" | 1" | 1"1/4 | 1"1/2 | 2" | 2"1/2 | 3" | 4" | 5" | 6" | 8" |
| Kvs (m3/h) | 31 | 58 | 86 | 139 | 229 | 415 | 698 | 983 | 1686 | 2824 | 3953 | 7225 |

2 PIECES SPLIT BODY STAINLESS STEEL BALL VALVES FLANGED CLASS 150 PN20

TORQUE VALUES (in Nm without safety coefficient) :

| | | | | | | | | | | | | |
|----------------------|-------------|-------------|-----------|--------------|--------------|-----------|--------------|-----------|------------|------------|------------|------------|
| DN (mm) | 15 | 20 | 25 | 32 | 40 | 50 | 65 | 80 | 100 | 125 | 150 | 200 |
| NPS (") | 1/2" | 3/4" | 1" | 1"1/4 | 1"1/2 | 2" | 2"1/2 | 3" | 4" | 5" | 6" | 8" |
| Torque (Nm) | 8 | 10 | 12 | 20 | 30 | 40 | 60 | 90 | 130 | 160 | 250 | 500 |

RANGE :

- 2 pieces stainless steel body valve Class 150 (PN20) **Ref. 779** from DN 15 to DN 200 (NPS 1/2" to 8")
- Gearbox possible **Ref. 9830296-9830297** from DN 150 to DN 200 (NPS 6" to 8")

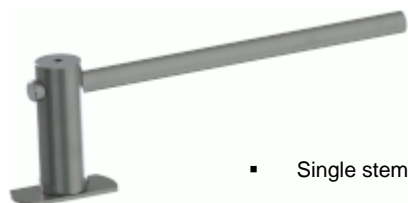
CONNECTION :

- R.F. Flanged Class 150 (PN20)

GEARBOX SPECIFICATIONS :

| | | |
|-----------------------------|----------------|----------------|
| DN (mm) | 150 | 200 |
| NPS (") | 6" | 8" |
| Ref. | 9830296 | 9830297 |
| Ratio factor | 30 :1 | 50 :1 |
| Output torque (Nm) | 700 | 1200 |

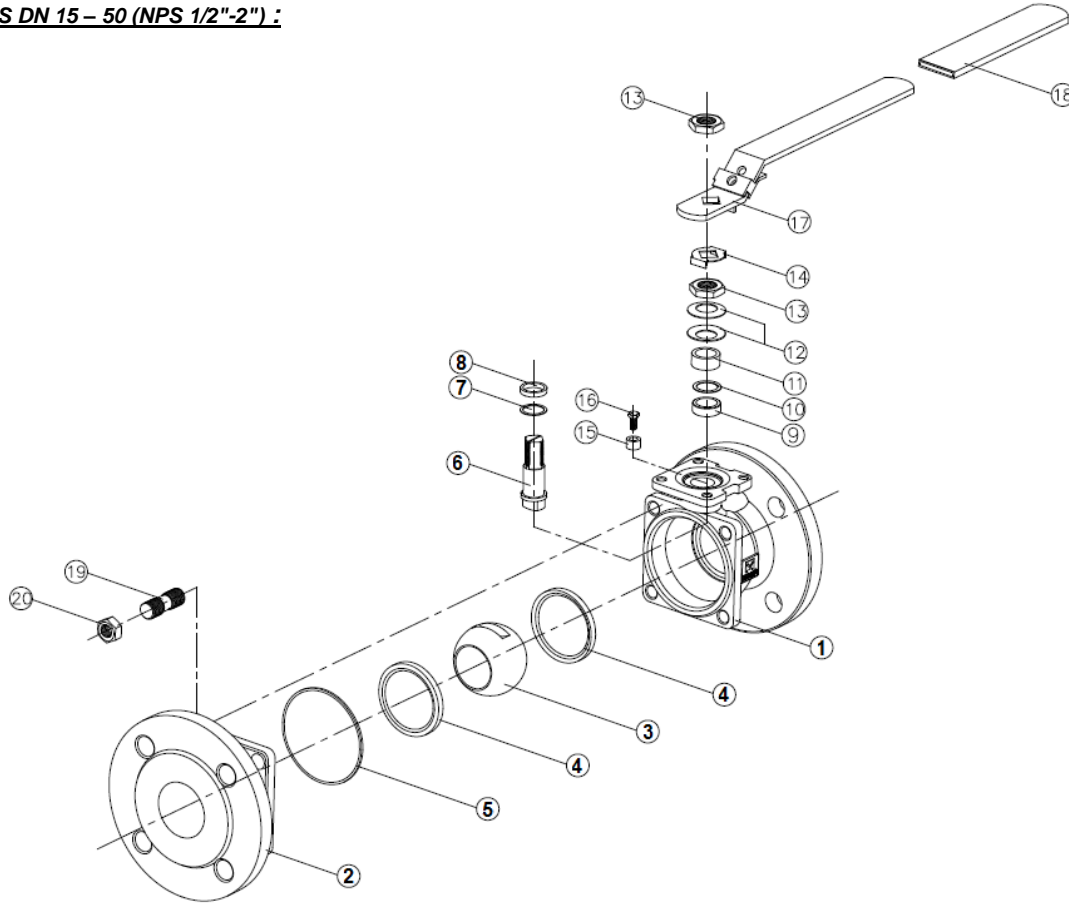
ACCESSORIES :



- Single stem extension AISI 304 from DN15 to DN100 (NPS 1/2" to 4") Ref.9810730 to 9810733

2 PIECES SPLIT BODY STAINLESS STEEL BALL VALVES FLANGED CLASS 150 PN20

MATERIALS DN 15 – 50 (NPS 1/2"-2") :



(* : Included in gaskets kit)

| Item | Designation | Materials |
|------|---------------|-----------------------------|
| 1 | Body | ASTM A351 CF8M |
| 2 | Ends | |
| 3 | Ball | |
| 4* | Seat | PTFE filled with 15 % glass |
| 5* | Body seal | Graphite |
| 6 | Stem | ASTM A276 316 |
| 7* | Ring | PTFE filled with 25% carbon |
| 8* | Ring | |
| 9* | Packing | Graphite |
| 10* | Packing | PTFE filled with 25% carbon |
| 11 | Packing gland | AISI 304 |
| 12 | Elastic ring | AISI 301 |
| 13 | Nut | AISI 304 |
| 14 | Washer | |
| 15 | Pin | |
| 16 | Pin screw | |
| 17 | Handle | PVC |
| 18 | Handle cover | |
| 19 | Stud | ASI 304 |
| 20 | Nut | |

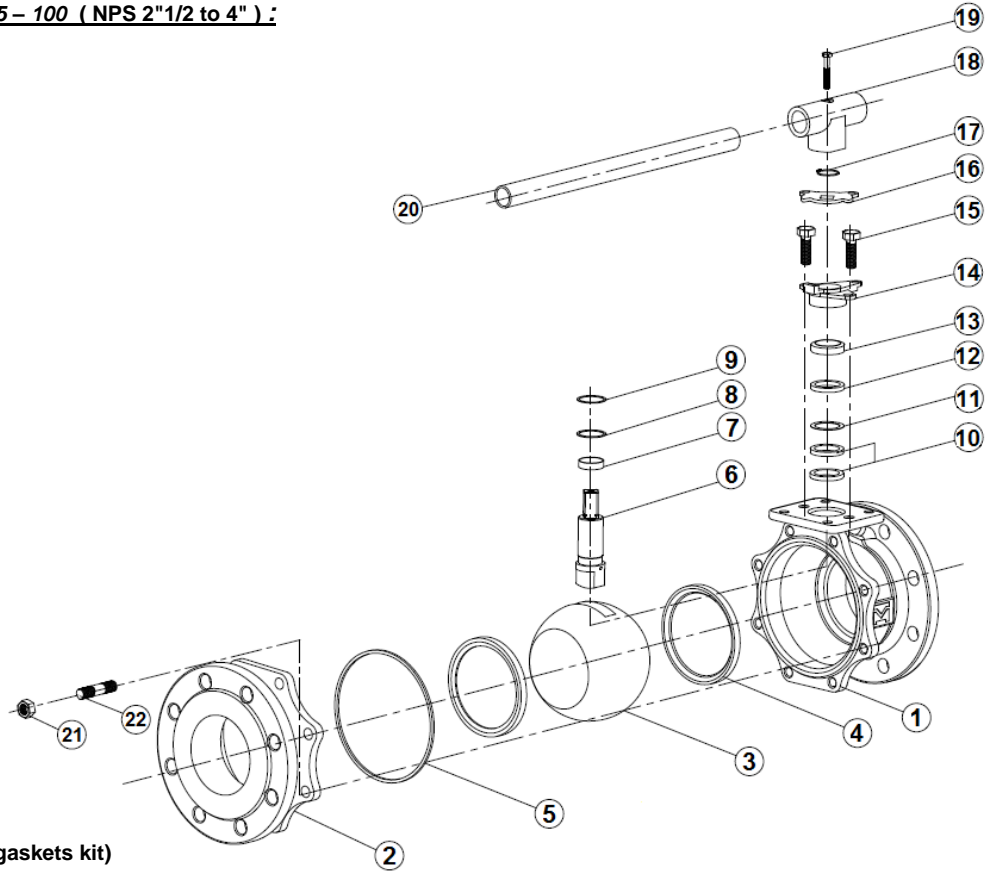
Repairability :



| Gaskets Kit (item 4, 5, 7, 8, 9 and 10) | |
|---|---------|
| DN15 | 9804252 |
| DN20 | 9804253 |
| DN25 | 9804254 |
| DN32 | 9804255 |
| DN40 | 9804256 |
| DN50 | 9804257 |

2 PIECES SPLIT BODY STAINLESS STEEL BALL VALVES FLANGED CLASS 150 PN20

MATERIALS DN 65 – 100 (NPS 2"1/2 to 4") :



(* : included in gaskets kit)

| Item | Designation | Materials |
|------|---------------------|-----------------------------|
| 1 | Body | ASTM A351 CF8M |
| 2 | Ends | |
| 3 | Ball | |
| 4* | Seat | PTFE filled with 15% glass |
| 5* | Body seal | Graphite |
| 6 | Stem | ASTM A276 316 |
| 7* | Ring | PTFE filled with 25% carbon |
| 8* | Ring | |
| 9* | Ring | |
| 10* | Packing | Graphite |
| 11* | Packing | PTFE filled with 25% carbon |
| 12 | Ring | AISI 304 |
| 13 | Ring | |
| 14 | Packing gland | ASTM A351 CF8 |
| 15 | Packing gland screw | AISI 304 |
| 16 | Pin | |
| 17 | Circlips | |
| 18 | Handle adaptor | ASTM A351 CF8 |
| 19 | Screw | AISI 304 |
| 20 | Handle | |
| 21 | Nut | |
| 22 | Stud | |

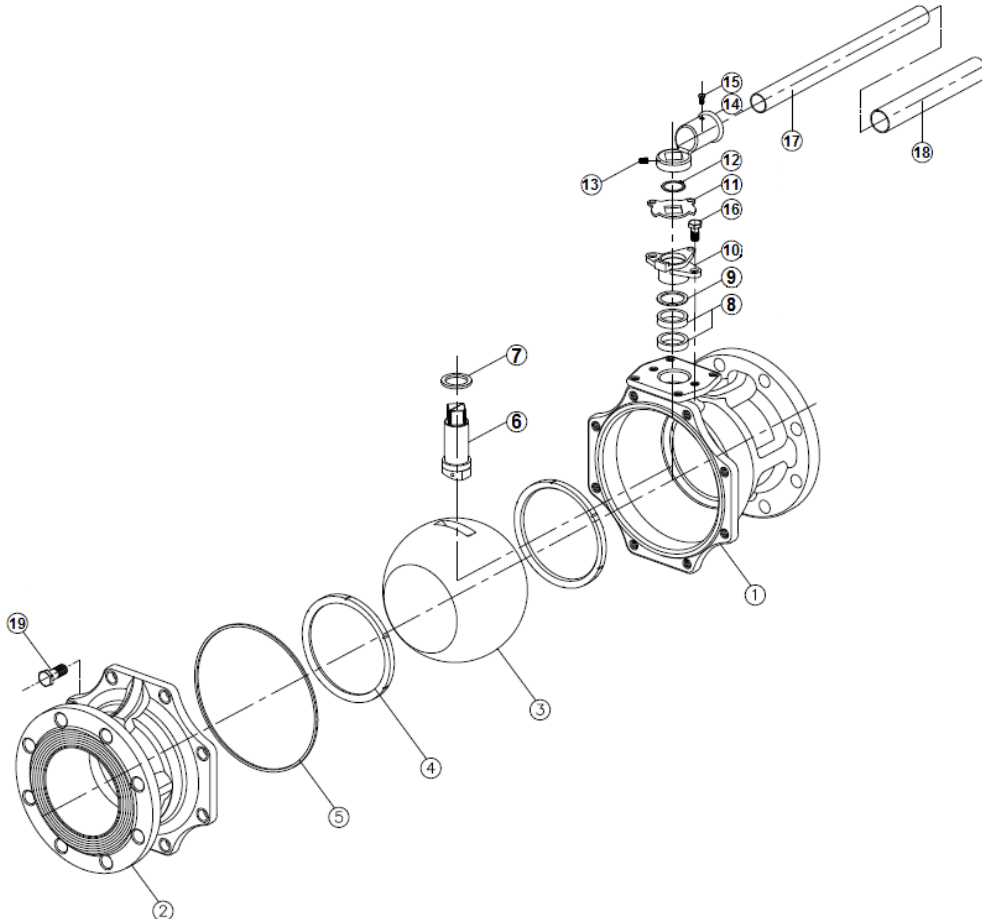
Repairability :



| Gaskets Kit (item 4, 5, 7, 8, 9, 10 and 11) | |
|---|---------|
| DN65 | 9804258 |
| DN80 | 9804259 |
| DN100 | 9804260 |

2 PIECES SPLIT BODY STAINLESS STEEL BALL VALVES FLANGED CLASS 150 PN20

MATERIALS DN 125 - 200 (NPS 5" to 8"):



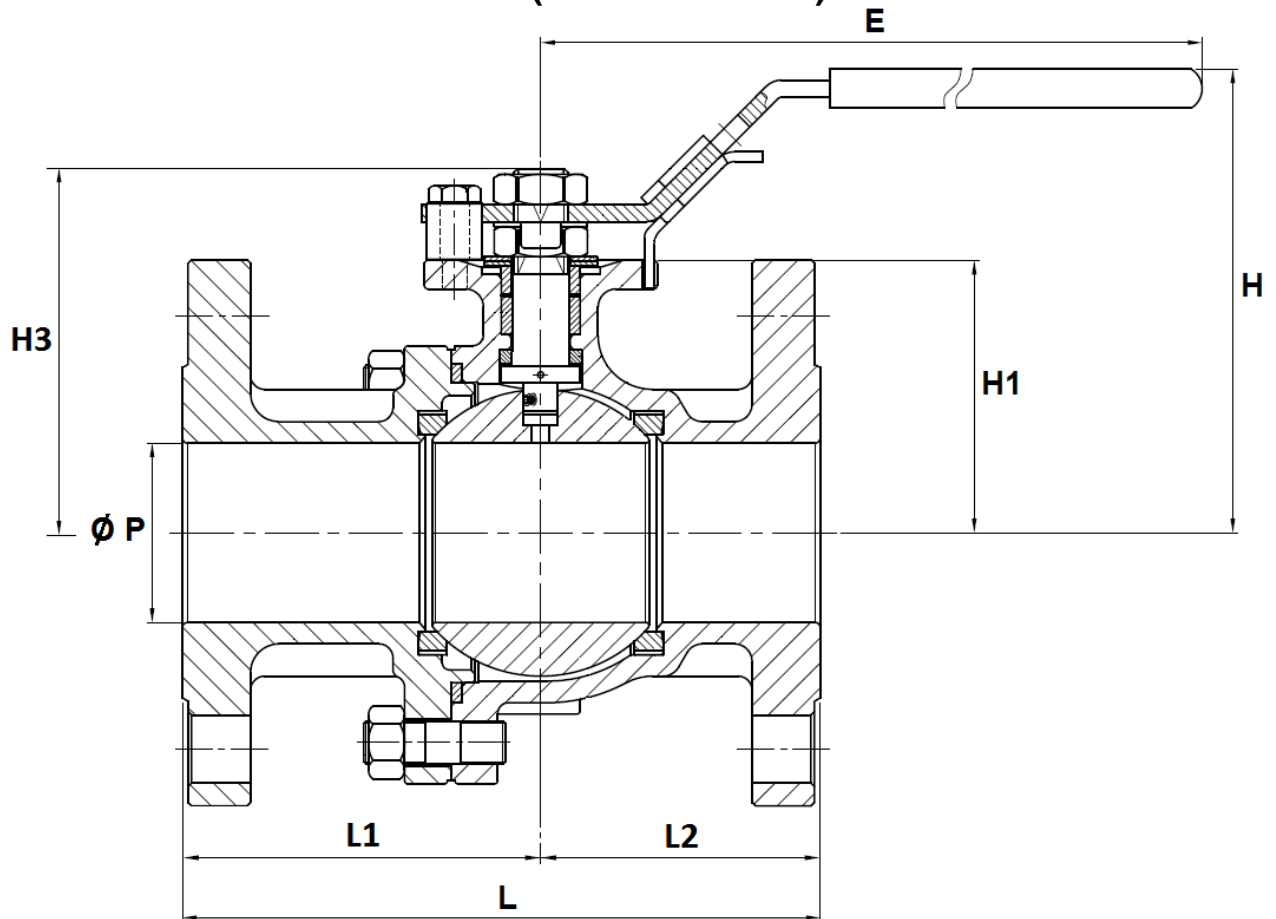
| Item | Designation | Materials |
|------|---------------------|-----------------------------|
| 1 | Body | ASTM A351 CF8M |
| 2 | Ends | |
| 3 | Ball | AISI 316 |
| 4* | Seat | PTFE filled with 15% glass |
| 5* | Body seal | Graphite |
| 6 | Stem | ASTM A276 316 |
| 7* | Ring | PTFE filled with 25% carbon |
| 8* | Packing | Graphite |
| 9* | Packing | PTFE filled with 25% carbon |
| 10* | Packing gland | ASTM A351 CF8 |
| 11 | Pin | AISI 304 |
| 12 | Circlips | |
| 13 | Screw | |
| 14 | Handle adaptor | |
| 15 | Screw | |
| 16 | Packing gland screw | |
| 17 | Handle | |
| 18 | Handle cover | PVC |
| 19 | Body screw | AISI 304 |

(* : included in gaskets kit)

2 PIECES SPLIT BODY STAINLESS STEEL BALL VALVES FLANGED CLASS 150 PN20

SIZE DN 15 – 50 (NPS 1/2" to 2") (in mm) :

DN 15 – 50 (NPS 1/2" to 2")

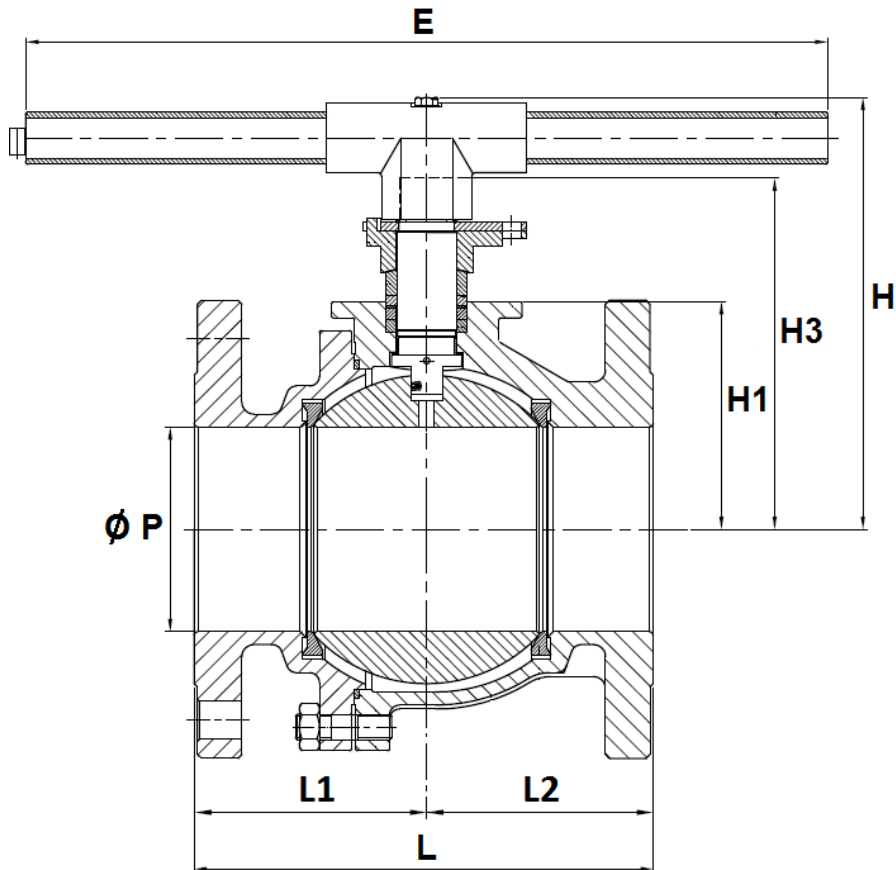


| DN (mm) | 15 | 20 | 25 | 32 | 40 | 50 |
|----------------|--------|--------|--------|--------|--------|--------|
| NPS (") | 1/2" | 3/4" | 1" | 1"1/4 | 1"1/2 | 2" |
| Ø P | 15 | 20 | 24 | 30 | 38 | 50 |
| L | 108 | 117 | 127 | 140.2 | 165 | 178 |
| L1 | 61 | 65 | 72.5 | 78.2 | 90.8 | 98 |
| L2 | 47 | 52 | 54.5 | 62 | 74.2 | 80 |
| E | 158 | 158 | 196 | 196 | 245 | 261 |
| H | 76.6 | 79.1 | 92 | 96 | 121.1 | 127.6 |
| H1 | 39 | 42.5 | 52 | 56 | 66 | 73 |
| H3 | 53.5 | 56.5 | 70 | 73 | 88 | 94.5 |
| Weight (in Kg) | 1.9 | 2.4 | 3.4 | 4.2 | 6.1 | 8.8 |
| Ref. | 779015 | 779020 | 779025 | 779032 | 779040 | 779050 |

2 PIECES SPLIT BODY STAINLESS STEEL BALL VALVES FLANGED CLASS 150 PN20

SIZE DN 65 - 100 (NPS 2"1/2 to 4") (in mm) :

DN 65 – 100 (NPS 2"1/2 to 4")

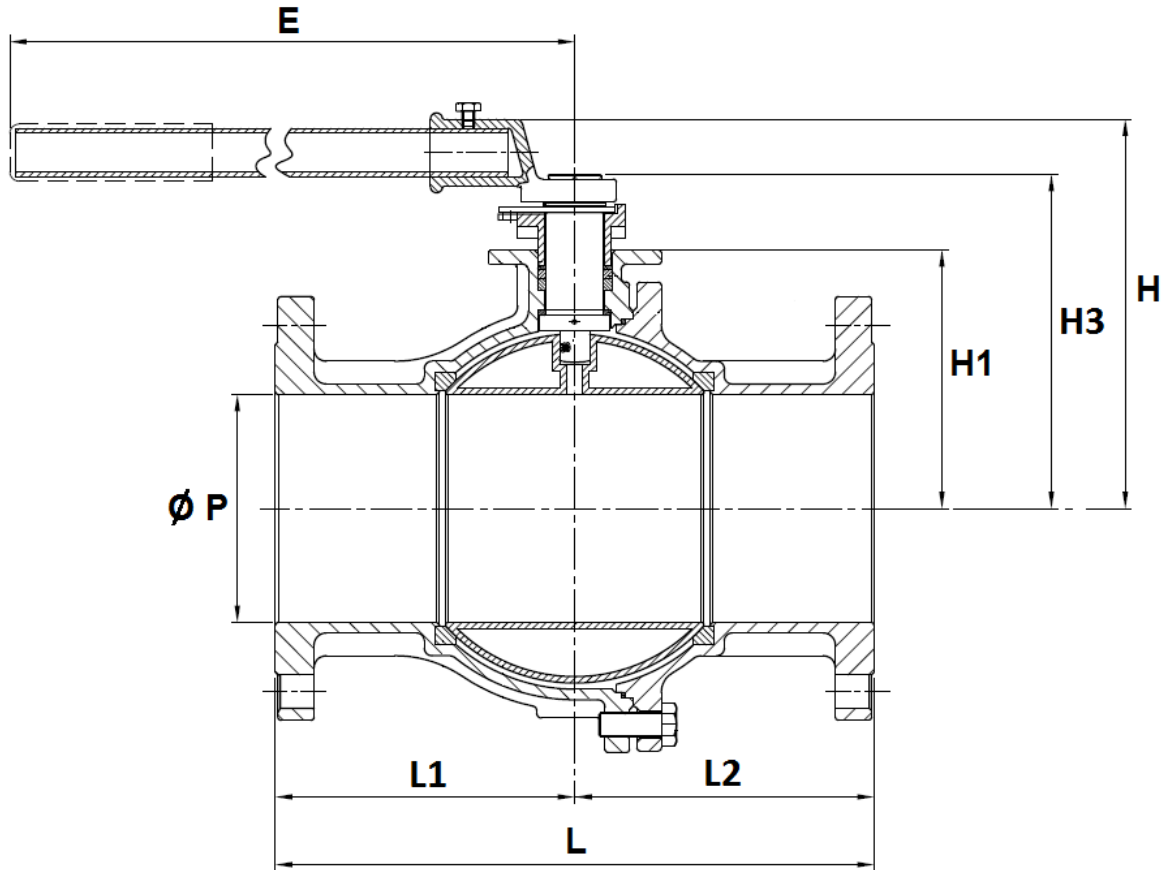


| DN (mm) | 65 | 80 | 100 |
|----------------|--------|--------|--------|
| NPS (") | 2"1/2 | 3" | 4" |
| Ø P | 64 | 76 | 98 |
| L | 190 | 203 | 229 |
| L1 | 100.3 | 109.2 | 119.3 |
| L2 | 89.7 | 93.8 | 109.7 |
| E | 400 | 400 | 400 |
| H | 188 | 194 | 215 |
| H1 | 86.5 | 91.5 | 113.5 |
| H3 | 152 | 158 | 179 |
| Weight (in Kg) | 16.4 | 19.5 | 28.1 |
| Ref. | 779065 | 779080 | 779100 |

2 PIECES SPLIT BODY STAINLESS STEEL BALL VALVES FLANGED CLASS 150 PN20

SIZE DN 125 - 200 (NPS 5" to 8") (in mm) :

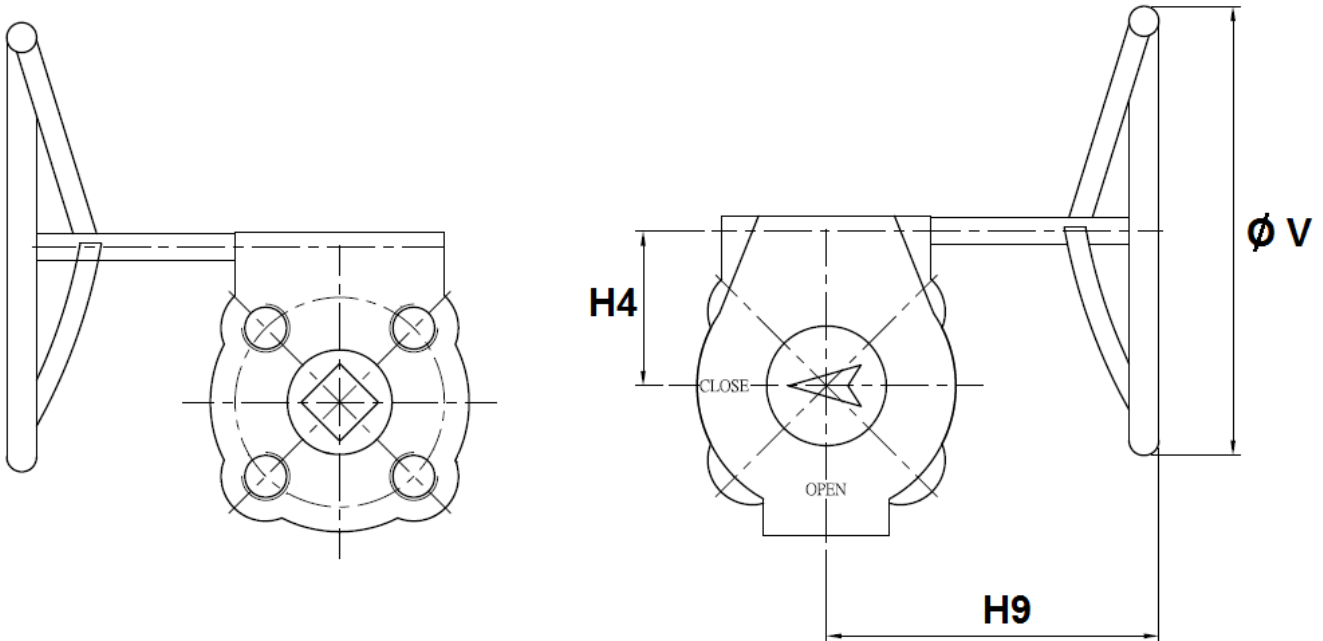
DN 125 – 200 (NPS 5" to 8")



| DN | 125 | 150 | 200 |
|----------------|--------|--------|--------|
| NPS (") | 5" | 6" | 8" |
| Ø P | 125 | 150 | 200 |
| L | 356 | 394 | 457 |
| L1 | 176.7 | 197 | 226 |
| L2 | 179.3 | 197 | 231 |
| E | 743 | 743 | 840 |
| H | 239.6 | 256.5 | 334 |
| H1 | 147 | 170 | 215 |
| H3 | 199 | 220 | 300.5 |
| Weight (in Kg) | 40 | 54 | 88 |
| Ref. | 779125 | 779150 | 779200 |

2 PIECES SPLIT BODY STAINLESS STEEL BALL VALVES FLANGED CLASS 150 PN20

GEARBOX SIZE (in mm) :



| | | |
|----------------------|----------------|----------------|
| DN (mm) | 150 | 200 |
| NPS (") | 6" | 8" |
| H4 | 63 | 78 |
| H9 | 238 | 226 |
| Ø V | 300 | 300 |
| Weight (Kg) | 12.5 | 15 |
| Ref. | 9830296 | 9830297 |

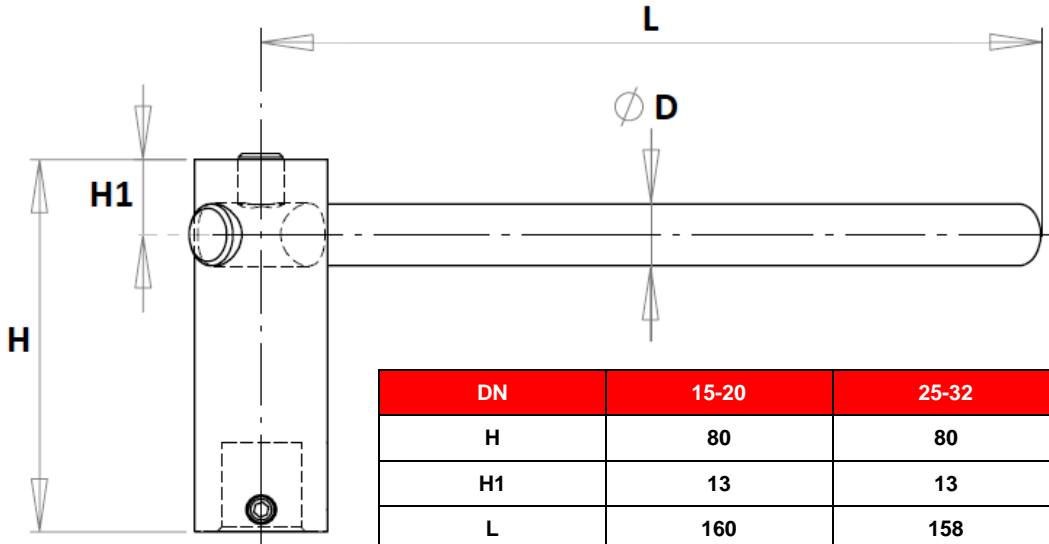
GEARBOX SPECIFICATIONS :

| | | |
|-----------------------------|----------------|----------------|
| DN (mm) | 150 | 200 |
| NPS (") | 6" | 8" |
| Ref. | 9830296 | 9830297 |
| Ratio factor | 30 :1 | 50 :1 |
| Output torque (Nm) | 700 | 1200 |

2 PIECES SPLIT BODY STAINLESS STEEL BALL VALVES FLANGED CLASS 150 PN20

STEM EXTENSION (in mm) :

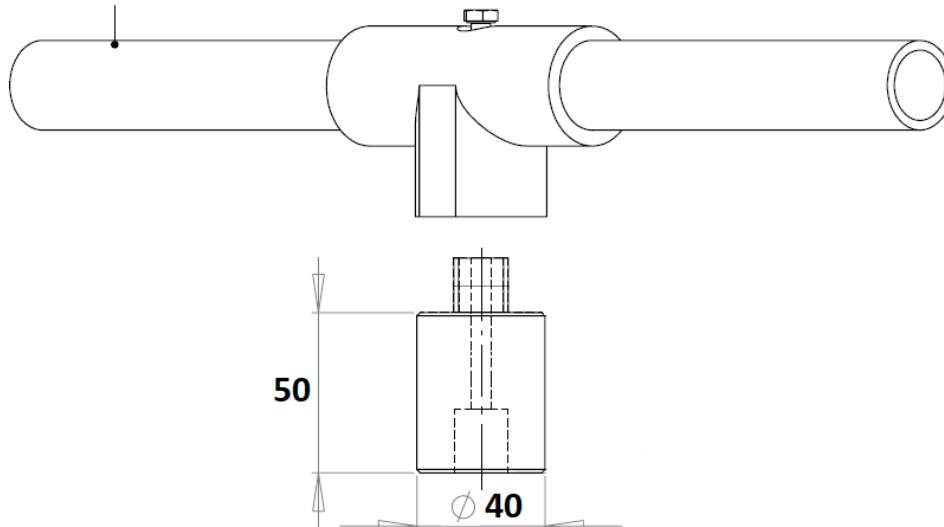
DN 15 – 50 (NPS 1/2"-2")



| DN | 15-20 | 25-32 | 40-50 |
|-------------|---------|---------|---------|
| H | 80 | 80 | 84 |
| H1 | 13 | 13 | 17 |
| L | 160 | 158 | 245 |
| Ø D | 10 | 10 | 14 |
| Ref. | 9810730 | 9810731 | 9810732 |
| Weight (Kg) | 0.18 | 0.22 | 0.26 |

DN 65–80-100 (NPS 2"1/2-4") Ref.9810733

VALVE HANDLE



2 PIECES SPLIT BODY STAINLESS STEEL BALL VALVES FLANGED CLASS 150 PN20

ISO MOUNTING PAD AND STEM SIZE (in mm) :

DN 15 – 50

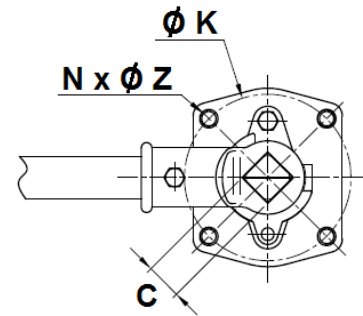
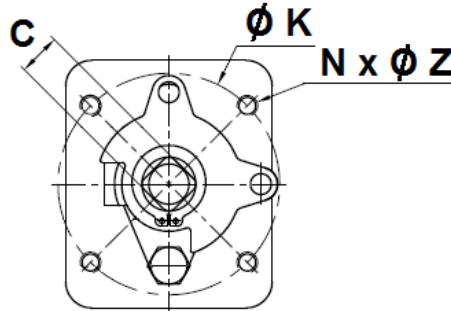
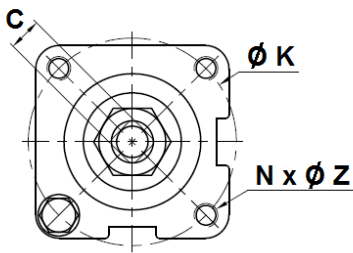
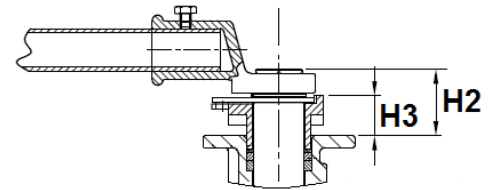
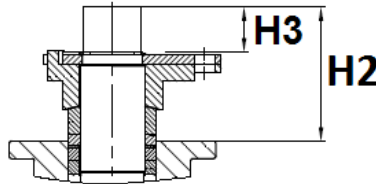
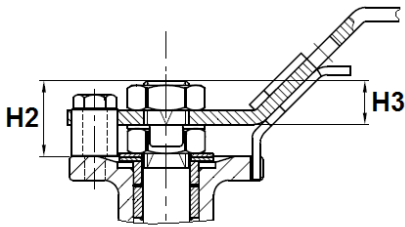
DN 65 – 100

DN 125 - 200

NPS (1/2" - 2")

NPS (2"1/2 - 4")

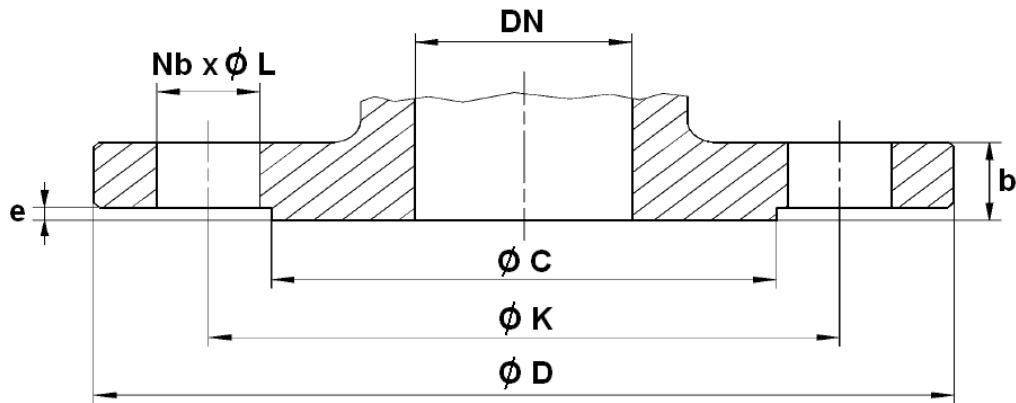
NPS (5" - 8")



| DN (mm) | 15 | 20 | 25 | 32 | 40 | 50 | 65 | 80 | 100 | 125 | 150 | 200 |
|-----------|------|------|------|-------|-------|------|-------|-------|-------|-------|-------|-------|
| NPS (") | 1/2" | 3/4" | 1" | 1"1/4 | 1"1/2 | 2" | 2"1/2 | 3" | 4" | 5" | 6" | 8" |
| C | 9 | 9 | 11 | 11 | 14 | 14 | 17 | 17 | 17 | 27 | 27 | 36 |
| Ø K | 42 | 42 | 50 | 50 | 70 | 70 | 102 | 102 | 102 | 125 | 125 | 140 |
| ISO | F04 | F04 | F05 | F05 | F07 | F07 | F10 | F10 | F10 | F12 | F12 | F14 |
| N x Ø Z | 4xM5 | 4xM5 | 4xM6 | 4xM6 | 4xM8 | 4xM8 | 4xM10 | 4xM10 | 4xM10 | 4xM12 | 4xM12 | 4xM16 |
| H2 | 14.5 | 14 | 18 | 17 | 22 | 21.5 | 65.5 | 66.5 | 65.5 | 52 | 50 | 85.5 |
| H3 | 8.5 | 8.5 | 12 | 12 | 14 | 14 | 27 | 27 | 27 | 19 | 19 | 43.5 |

2 PIECES SPLIT BODY STAINLESS STEEL BALL VALVES FLANGED CLASS 150 PN20

CLASS 150 (PN20) FLANGES SIZE (in mm) :



| DN (mm) | 15 | 20 | 25 | 32 | 40 | 50 | 65 | 80 | 100 | 125 | 150 | 200 |
|-----------|----------|----------|----------|----------|----------|--------|--------|--------|--------|--------|--------|----------|
| NPS (") | 1/2" | 3/4" | 1" | 1"1/4 | 1"1/2 | 2" | 2"1/2 | 3" | 4" | 5" | 6" | 8" |
| Ø C | 35 | 42.9 | 50.8 | 63.5 | 73 | 92.1 | 104.8 | 127 | 157.2 | 186 | 216 | 270 |
| Ø D | 90 | 100 | 110 | 115 | 125 | 150 | 180 | 190 | 230 | 254 | 279 | 343 |
| Ø K | 60.3 | 69.9 | 79.4 | 88.9 | 98.4 | 120.7 | 139.7 | 152.4 | 190.5 | 216 | 241.5 | 298.5 |
| Nb x Ø L | 4 x 15.8 | 4 x 15.8 | 4 x 15.8 | 4 x 15.8 | 4 x 15.8 | 4 x 19 | 4 x 19 | 4 x 19 | 8 x 19 | 8 x 22 | 8 x 22 | 8 x 22.5 |
| b | 11.2 | 12.7 | 14.3 | 15.9 | 17.5 | 19 | 22.3 | 23.9 | 23.9 | 23.9 | 25.4 | 28.6 |
| e | 1.6 | 1.6 | 1.6 | 1.6 | 1.6 | 1.6 | 1.6 | 1.6 | 1.6 | 1.6 | 1.6 | 1.6 |



2 PIECES SPLIT BODY STAINLESS STEEL BALL VALVES FLANGED CLASS 150 PN20

STANDARDS :

- Manufacturer certified ISO 9001 : 2015
- DIRECTIVE 2014/68/EU: For liquids and gas of Group 1
 - DN15-25: Article 4, §3 (SEP), no CE marking
 - DN32-50: Risk Category I, CE 0035 marking
 - DN65-150: Risk Category II, CE 0035 marking
 - DN200: Risk Category III, CE 0035 marking
- Certificate 3.1 on request
- Construction according to ASME B16.34
- Pressure tests according to API 598, table 6
- Class 150 (PN20) R.F. flanges according to ASME B16.5
- ISO 5211 mounting pad
- Length according to ASME B16.10 Table 1 Column 18 (EN 558 series 3 up to DN100, series 12 from DN125 to 200)
- ATEX Group II Category 2 G/2D Zone 1 & 21 Zone 2 & 22 (optional marking)
- Fire safe according to API 607 6th Edition 2010 up to DN200 (8")
- Foundry certified Bureau Veritas Marine & Offshore according to NR320 (BV Marine recognition Mode II)

ADVICE : Our opinion and our advice are not guaranteed and SFERACO shall not be liable for the consequences of damages. The customer must check the right choice of the products with the real service conditions.