

2 PIECES SPLIT BODY STAINLESS STEEL BALL VALVES FLANGED PN16/40 DIN 3202-1 F1

2 pieces stainless steel Split body ball valve with full bore for Chemical industries, petrochemical industries, hydraulic installation, heating, water distribution, compressed air.

Ball valve with firesafe certificate API 607 to reduce risks in case of fire.

PTFE seat for a temperature up to +200°C.

Compatible with explosive atmosphere, ATEX Zone 1&21 and Zone 2&22 thanks to the antistatic device.

Handling possible with gearbox.

Thanks to the ISO 5211 plate, an actuator can be installed on the valve.



Size : DN15 to DN100
Connection : Flanged PN16/40 RF
Min Temperature : -20°C
Max Temperature : +200°C
Max Pressure : 40 bars up to DN50, 16 bars over
Specifications : Double Antistatic device, ATEX
ISO 5211 mounting pad
Anti blow-out stem, full bore
PTFE seat
Fire Safe API 607

Materials : Stainless steel EN 1.4408

2 PIECES SPLIT BODY STAINLESS STEEL BALL VALVES FLANGED PN16/40 DIN 3202-1 F1

SPECIFICATIONS :

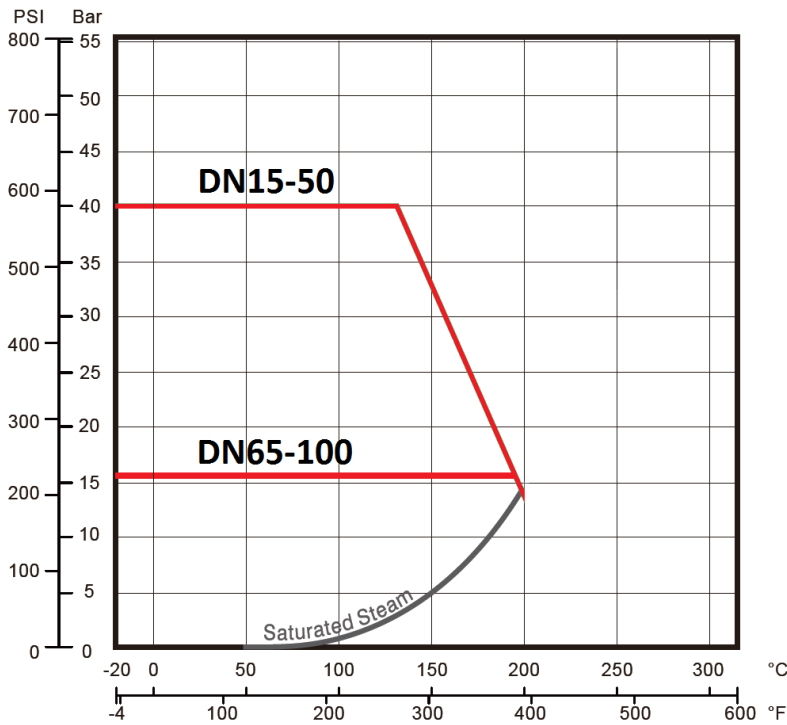
- Full bore
- Anti blow-out stem
- Double antistatic device
- PTFE seat
- Locking device
- ISO 5211 mounting pad
- 2 pieces type (Split body)
- With exhaust hole in the ball (located in the top of the ball to avoid overpressure in it)

USE :

- Chemical industries, petrochemical industries, hydraulic installation, compressed air, heating and water distribution
- Steam : 11 bars maximum
- Min and max Temperatures Ts : -20°C to + 200°C
- Max Pressure Ps : 40 bars up to DN50, 16 bars over (see graph under)

PRESSURE / TEMPERATURE GRAPH (STEAM EXCLUDED) :

PRESSURE



Temperature

FLOW COEFFICIENT Kvs (M3 / h) :

DN	15	20	25	32	40	50	65	80	100
Kvs (m3/h)	31	58	86	139	228	415	698	958	1684

2 PIECES SPLIT BODY STAINLESS STEEL BALL VALVES FLANGED PN16/40 DIN 3202-1 F1

TORQUE VALUES (in Nm without safety coefficient) :

DN	15	20	25	32	40	50	65	80	100
Torque (Nm)	8	10	12	20	30	40	60	90	130

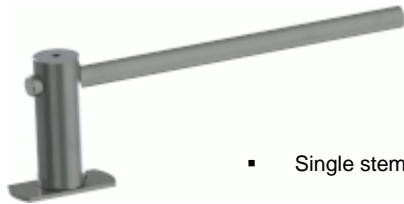
RANGE :

- Stainless steel body ball valve DIN F1 flanged PN16 **Ref. 763L** from DN 15 to DN 100

CONNECTION :

- R.F. Flanged PN40 up to DN50, PN16 over

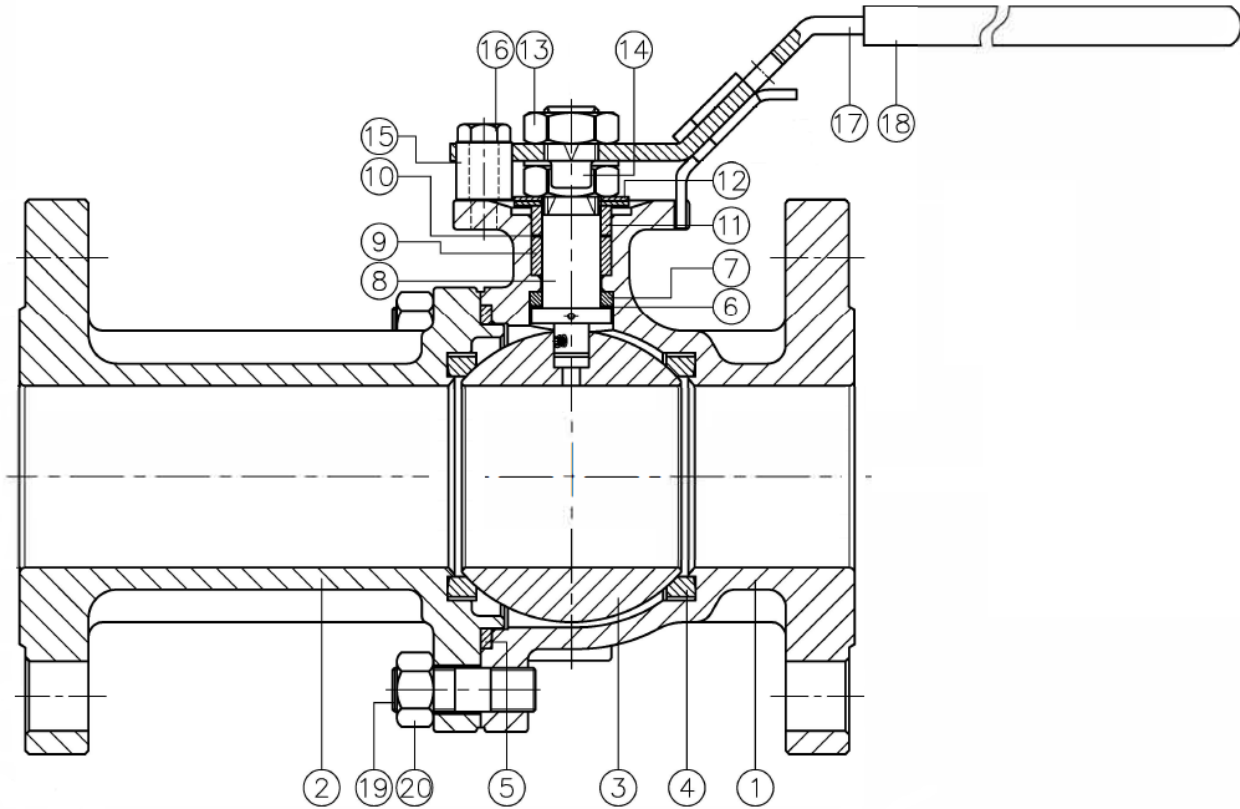
ACCESSORIES :



- Single stem extension AISI 304 from DN15 to DN100 Ref.9810730 to 9810733

2 PIECES SPLIT BODY STAINLESS STEEL BALL VALVES FLANGED PN16/40 DIN 3202-1 F1

MATERIALS DN 15 - 50 :



(* : included in gaskets kit)

Repairability :

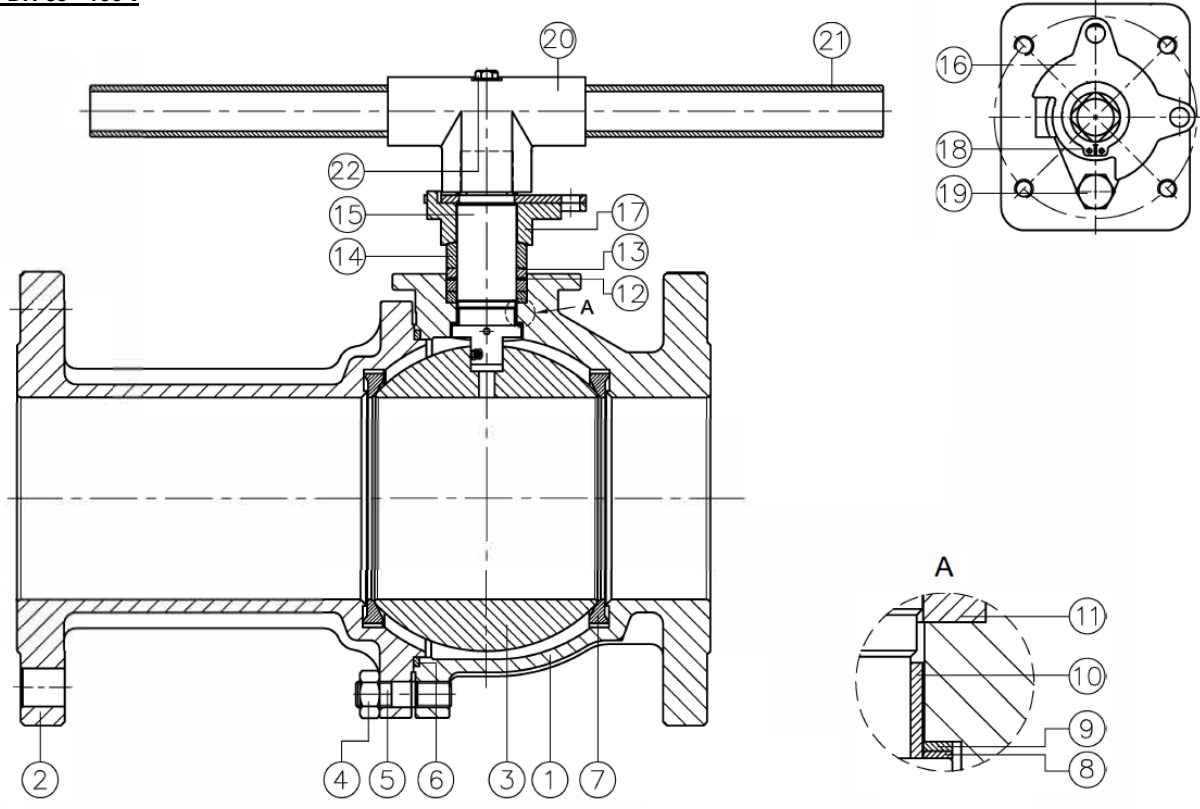


Item	Designation	Materials
1	Body	EN 1.4408
2	Ends	
3	Ball	
4*	Seat	PTFE
5*	Body seal	Graphite
6*	Ring	PTFE filled with 25% carbon
7*	Ring	
8	Stem	ASTM A276-316
9*	Packing	Graphite
10*	Packing	PTFE filled with 25% carbon
11	Packing gland	AISI 304
12	Elastic ring	AISI 301
13	Nut	AISI 304
14	Washer	
15	Pin	
16	Pin screw	
17	Handle	PVC
18	Handle cover	
19	Stud	ASI 304
20	Nut	

Gaskets Kit (item 4, 5, 6, 7, 9 and 10)	
DN15	9804240
DN20	9804241
DN25	9804242
DN32	9804243
DN40	9804244
DN50	9804245

2 PIECES SPLIT BODY STAINLESS STEEL BALL VALVES FLANGED PN16/40 DIN 3202-1 F1

MATERIALS DN 65 - 100 :



(* : included in gaskets kit)

Item	Designation	Materials
1	Body	EN 1.4408
2	Ends	
3	Ball	
4	Nut	AISI 304
5	Stud	
6*	Body seal	Graphite
7*	Seat	PTFE
8*	Ring	PTFE filled with 25% carbon
9*	Ring	
10*	Ring	
11*	Packing	Graphite
12*	Packing	PTFE filled with 25% carbon
13	Ring	AISI 304
14	Ring	
15	Stem	AISI 316
16	Pin	AISI 304
17	Packing gland	1.4308
18	Circlip	AISI 304
19	Screw	
20	Handle adaptor	1.4308
21	Handle	AISI 304
22	Screw	

Repairability :

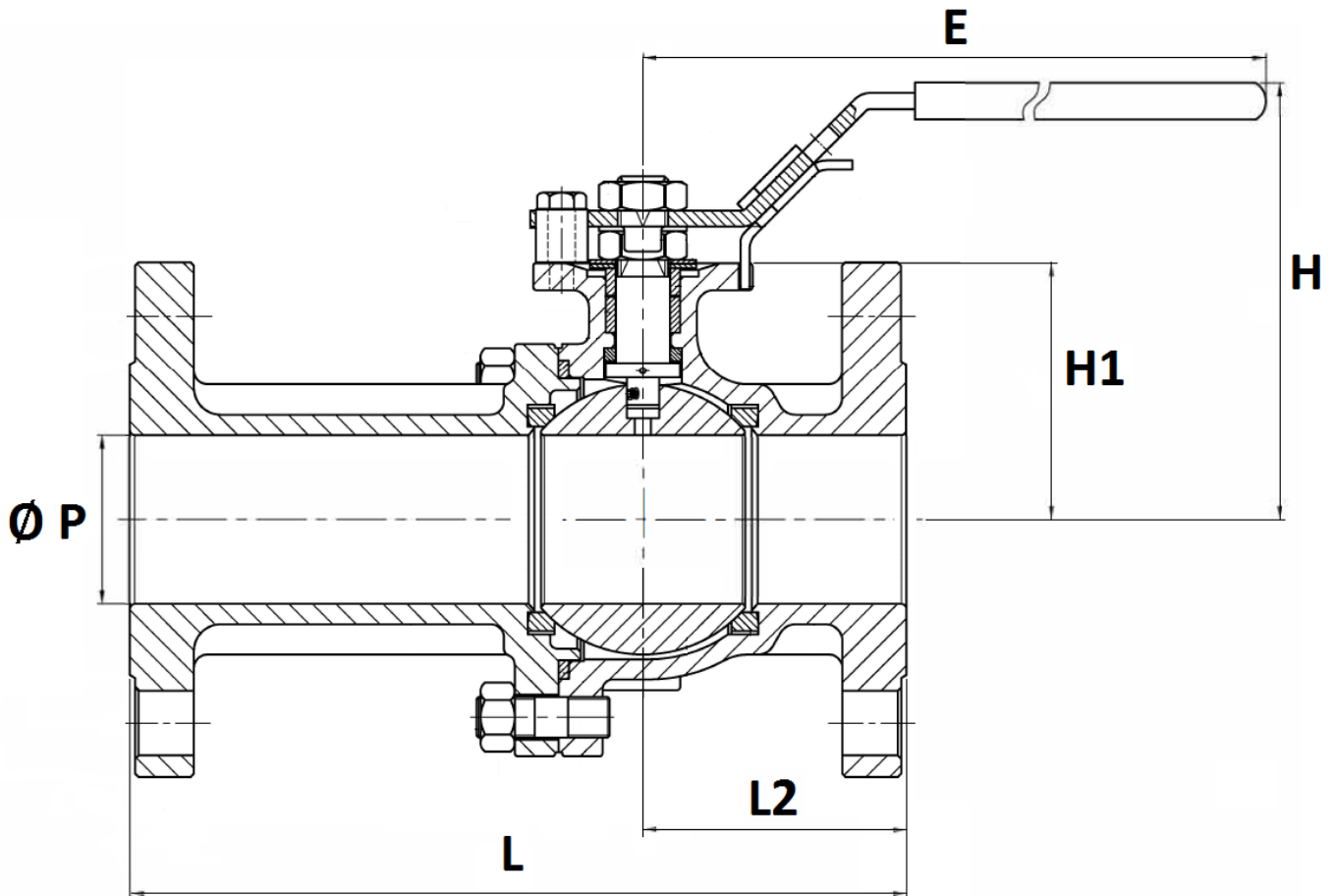


Gaskets Kit (item 6, 7, 8, 9, 10, 11 and 12)	
DN65	9804246
DN80	9804247
DN100	9804248

2 PIECES SPLIT BODY STAINLESS STEEL BALL VALVES FLANGED PN16/40 DIN 3202-1 F1

SIZE DN 15 - 50 (in mm) :

DN 15 - 50

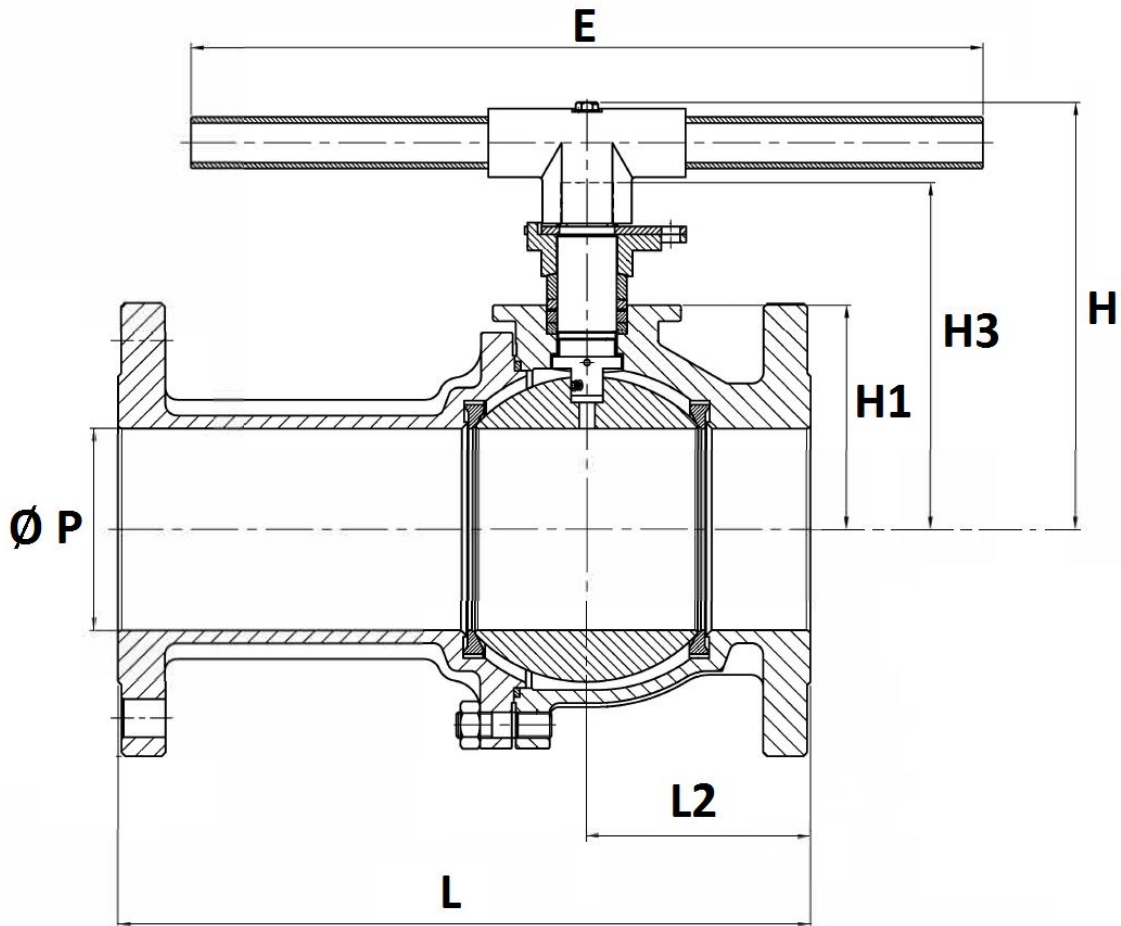


DN	15	20	25	32	40	50
Ø P	15	20	24	30	38	50
L	130	150	160	180	200	230
L2	50.5	53.5	54.5	57	60	65.5
E	158	158	196	196	245	261
H	76.6	79.1	92	96	121.1	127.6
H1	39	42.5	52	56	66	73
Weight (in Kg)	2.3	3.1	4.3	5.9	7.5	10.3
Ref.	763L015	763L020	763L025	763L032	763L040	763L050

2 PIECES SPLIT BODY STAINLESS STEEL BALL VALVES FLANGED PN16/40 DIN 3202-1 F1

SIZE DN 65 - 100 (in mm) :

DN 65 - 100

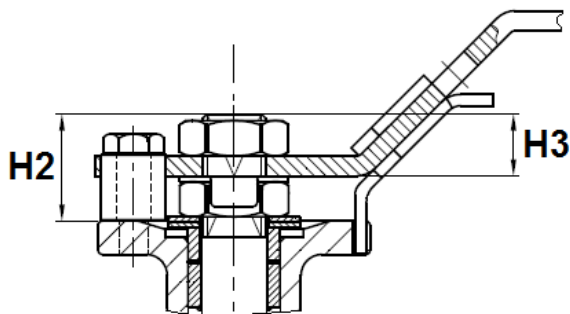


DN	65	80	100
Ø P	64	76	98
L	290	310	350
L2	77.5	77.5	85.2
E	400	400	400
H	188	194	215
H1	86.5	91.5	113.5
H3	152	158	179
Weight (in Kg)	16.3	20	28.1
Ref.	763L065	763L080	763L100

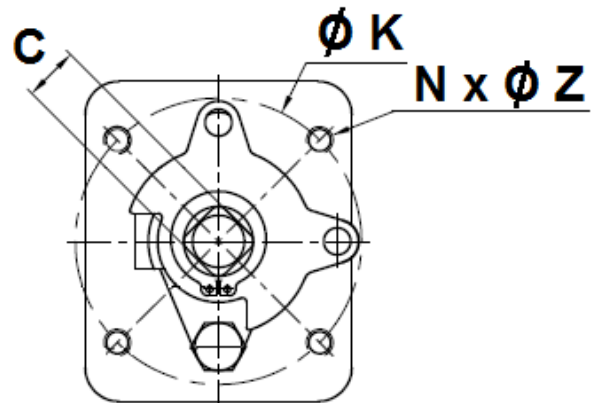
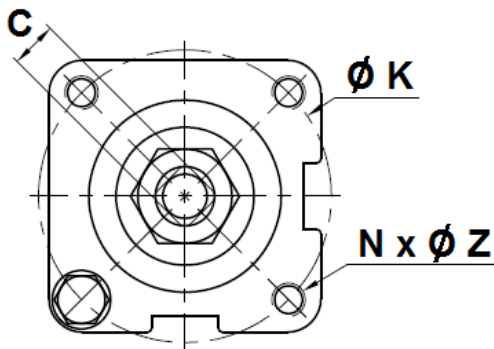
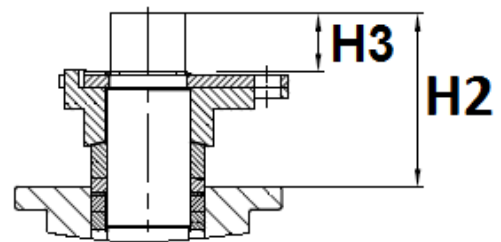
2 PIECES SPLIT BODY STAINLESS STEEL BALL VALVES FLANGED PN16/40 DIN 3202-1 F1

ISO MOUNTING PAD AND STEM SIZE (in mm) :

DN 15 – 50



DN 65 – 100

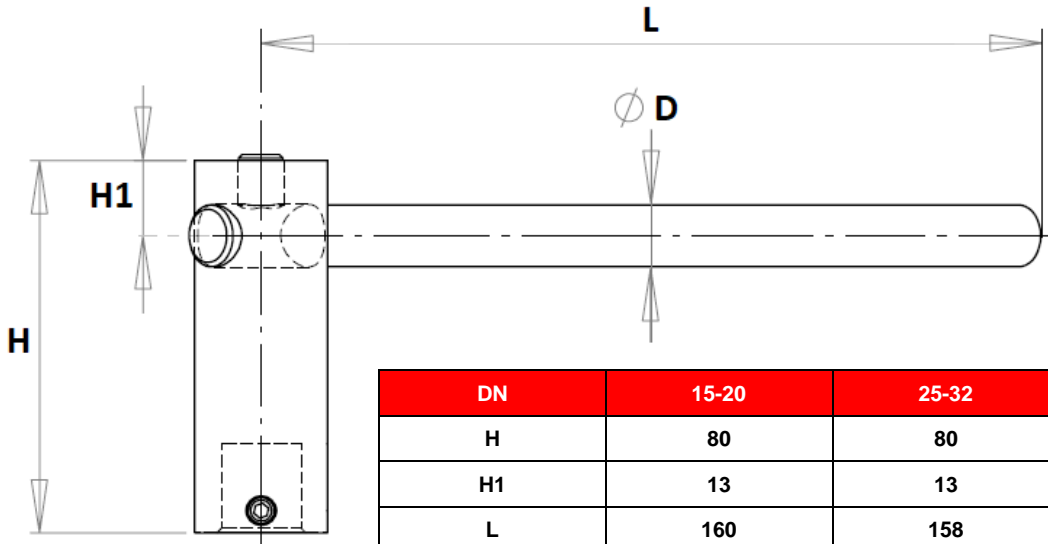


DN	15	20	25	32	40	50	65	80	100
C	9	9	11	11	14	14	17	17	17
Ø K	42	42	50	50	70	70	102	102	102
ISO	F04	F04	F05	F05	F07	F07	F10	F10	F10
N x Ø Z	4xM5	4xM5	4xM6	4xM6	4xM8	4xM8	4 x M10x1.5		
H2	14.5	14	18	17	22	21.5	65.5	66.5	65.5
H3	8.5	8.5	12	12	14	14	27	27	27

2 PIECES SPLIT BODY STAINLESS STEEL BALL VALVES FLANGED PN16/40 DIN 3202-1 F1

STEM EXTENSION (in mm) :

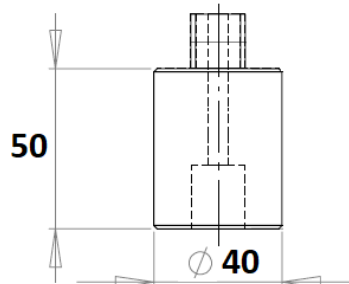
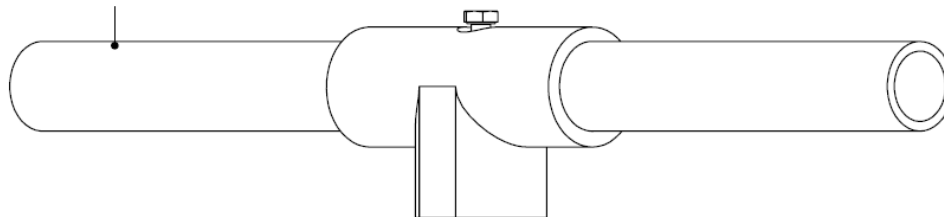
DN 15 – 50



DN	15-20	25-32	40-50
H	80	80	84
H1	13	13	17
L	160	158	245
Ø D	10	10	14
Ref.	9810730	9810731	9810732
Weight (Kg)	0.18	0.22	0.26

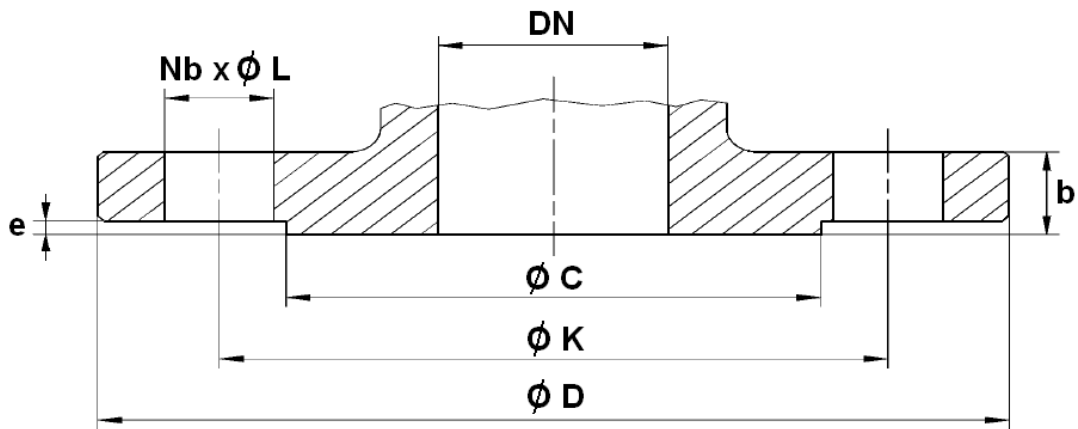
DN 65–80-100 Ref.9810733

VALVE HANDLE



2 PIECES SPLIT BODY STAINLESS STEEL BALL VALVES FLANGED PN16/40 DIN 3202-1 F1

FLANGES SIZE (in mm) :



DN	15	20	25	32	40	50	65	80	100
Ø C	45	58	68	78	88	102	122	138	158
Ø D	95	105	115	140	150	165	185	200	220
Ø K	65	75	85	100	110	125	145	160	180
Nb x Ø L	4 x 14	4 x 14	4 x 14	4 x 18	4 x 18	4 x 18	4 x 18	8 x 18	8 x 18
b	16	18	18	18	18	20	18	20	20
e	2	2	2	2	3	3	3	3	3



2 PIECES SPLIT BODY STAINLESS STEEL BALL VALVES FLANGED PN16/40 DIN 3202-1 F1

STANDARDS :

- Manufacturer certified ISO 9001 : 2015
- DIRECTIVE 2014/68/EU: For liquids and gas of Group 1
 - DN15-25: Article 4, §3 (SEP), no CE marking
 - DN32-100: Risk Category II, CE 0035 marking
- Certificate 3.1 on request
- Construction according to EN 12516-1
- Pressure tests according to EN 12266-1, Rate A
- PN16/40 R.F. flanges according to EN 1092-1
- ISO 5211 mounting pad
- Length according to EN 558 series 1 (NF 29355, DIN 3202-1 F1)
- ATEX Group II Category 2 G/2D Zone 1 & 21 Zone 2 & 22 (optional marking)
- Fire safe according to API 607 6th Edition 2010
- Foundry certified Bureau Veritas Marine & Offshore according to NR320 (BV Marine recognition Mode II)

ADVICE : Our opinion and our advice are not guaranteed and SFERACO shall not be liable for the consequences of damages. The customer must check the right choice of the products with the real service conditions.