

3 PIECES CARBON STEEL BALL VALVE FLANGED PN40 INITIAL RANGE

3 pieces carbon steel ball valve with full bore for Chemical industries, petrochemical industries, hydraulic installation, heating, water distribution, compressed air.
PTFE packing and gasket, PTFE filled with 15% glass seat.

Certificate
3.1



Size : DN15 to DN100
Connection : Flanged PN40 RF
Min Temperature : -20°C
Max Temperature : +180°C
Max Pressure : 40 bars
Specifications : 3 pieces type
PTFE filled with 15% glass seat
Anti blow-out stem
Full bore

Materials : Carbon Steel ASTM A216 WCB

3 PIECES CARBON STEEL BALL VALVE FLANGED PN40 INITIAL RANGE

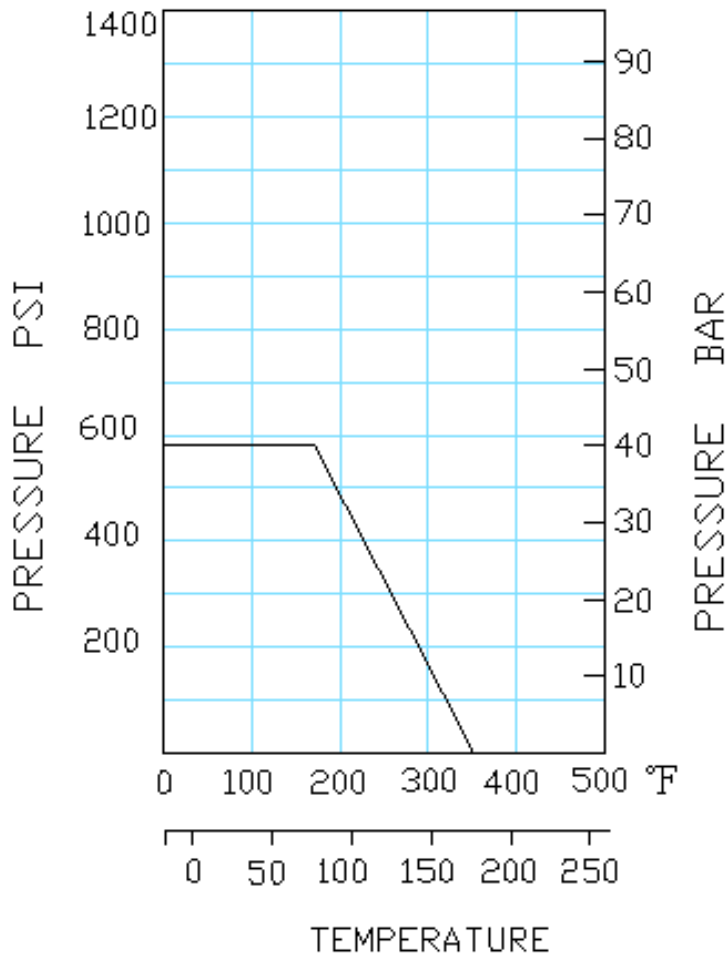
SPECIFICATIONS :

- Full bore
- Anti blow-out stem
- PTFE packing
- PTFE filled with 15% glass fiber seat
- Locking device
- 3 pieces type
- PN40 R.F. flanges
- Black phosphated finish, thickness 5 µm

USE :

- Chemical industries, petrochemical industries, hydraulic installation, heating, water distribution, compressed air
- Min and max Temperature Ts : -20°C to + 180°C
- Max Pressure Ps : 40 bars (see graph)

PRESSURE / TEMPERATURE GRAPH (STEAM EXCLUDED) :



3 PIECES CARBON STEEL BALL VALVE FLANGED PN40 INITIAL RANGE

TORQUE VALUES (in Nm without safety coefficient) :

DN	15	20	25	32	40	50	65	80	100
Torque (Nm)	2.5	3.5	6	7	12	16	40	50	70

BOLT TIGHTENING TABLE (In Nm) :

DN	15	20	25	32	40	50	65	80	100
Torque (Nm)	15	18	20	20	28	28	35	45	65

FLOW COEFFICIENT Kvs (in m3 / h) :

DN	15	20	25	32	40	50	65	80	100
Kvs (m3 / h)	20.7	30.2	40.6	70	90.8	208.4	275.9	501.6	865

RANGE :



- 3 pieces carbon steel ball valve with flanges **Ref. 730** from DN 15 to DN 100



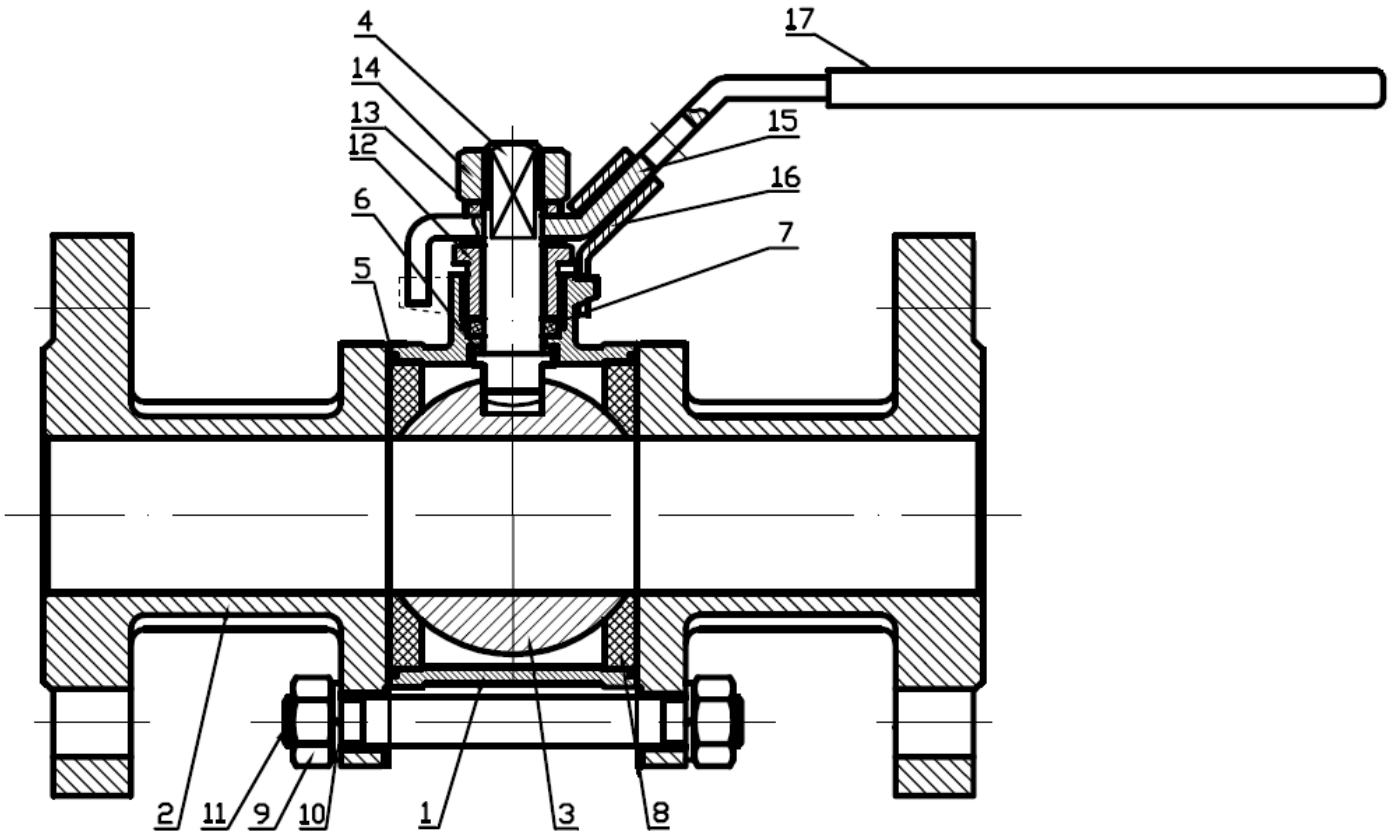
- AISI 304 stem extension **Ref.9810612-9810614** from DN15 to DN50

CONNECTION :

- Flanges R.F. PN40

3 PIECES CARBON STEEL BALL VALVE FLANGED PN40 INITIAL RANGE

MATERIALS :

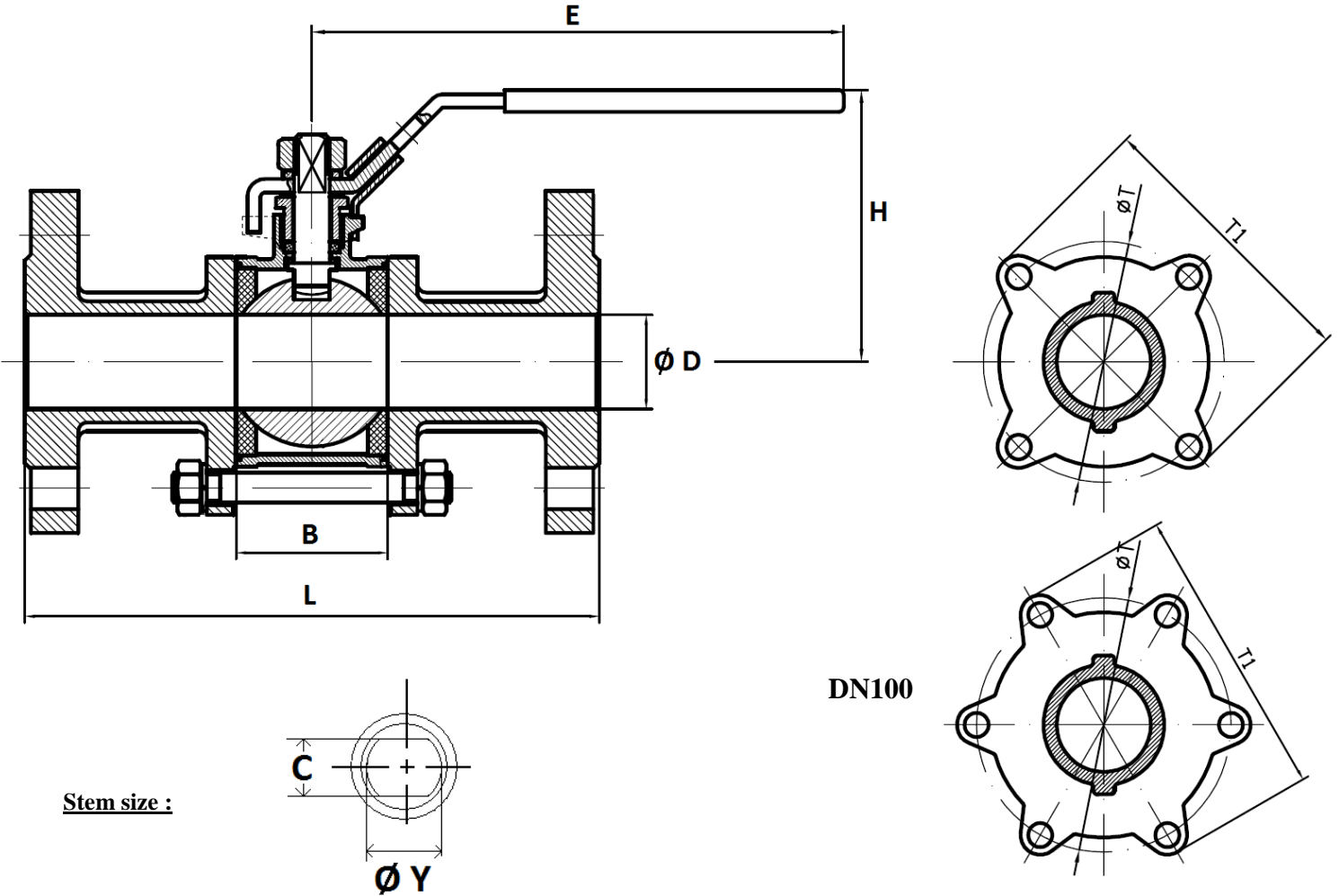


(* : Included in gaskets kit)

Item	Designation	Materials
1	Body	ASTM A216 WCB
2	Ends	
3	Ball	
4	Stem	AISI 304
5*	Body gasket	PTFE
6*	Stem gasket	
7*	Packing	
8*	Seat	PTFE filled with 15% glass fiber
9	Nut	AISI 304
10	Washer	
11	Stud	
12	Packing nut	
13	Washer	
14	Handle nut	
15	Handle	
16	Locking device	Plastic
17	Handle cover	

3 PIECES CARBON STEEL BALL VALVE FLANGED PN40 INITIAL RANGE

SIZE (in mm) :

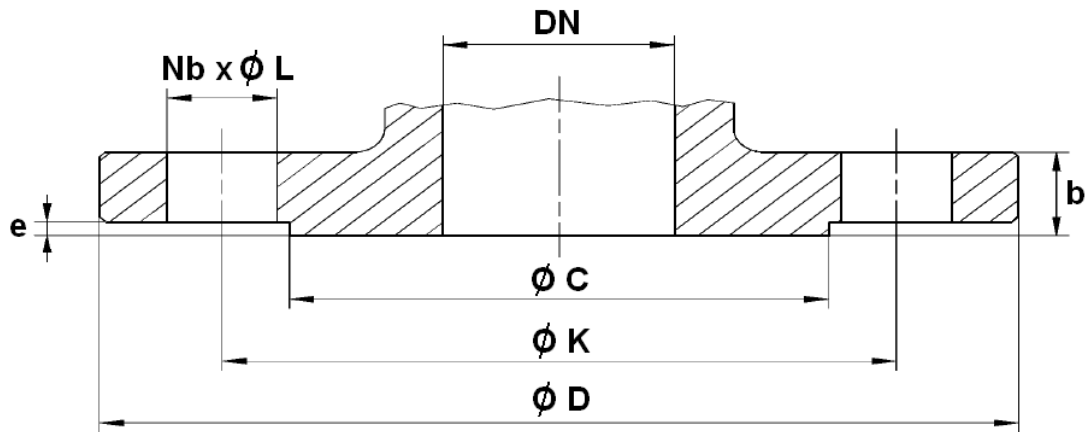


Stem size :

DN	15	20	25	32	40	50	65	80	100
Ø D	15	20	25	32	38	50	64	76	100
L	130	150	160	180	200	230	290	310	350
B	23.3	28.6	34	44	51	63	84.3	94.7	119.2
E	129	129	143	143	170	170	254	254	320
H	77	82	92	98	109	120	142	152	176
C	5	5	6.5	6.5	8.5	8.5	9.8	9.8	16
Ø Y	M8	M8	M10	M10	M12	M12	M14	M14	M20
Ø T	43	51.5	58	70	81.5	101	136	157	195.5
T1	57.5	66	74.5	86.5	100.5	121.5	161	185	226.5
Weight (in Kg)	1.99	2.76	3.57	5.24	6.60	9.69	14.90	20.40	34.20
Ref.	730015	730020	730025	730032	730040	730050	730065	730080	730100

3 PIECES CARBON STEEL BALL VALVE FLANGED PN40 INITIAL RANGE

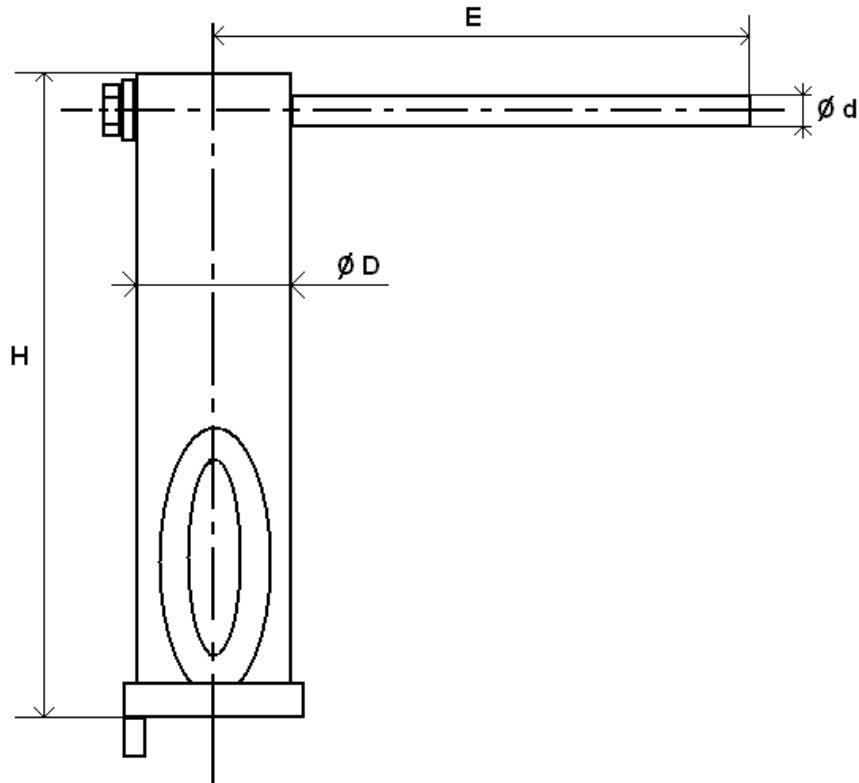
FLANGES SIZE (in mm) :



DN	15	20	25	32	40	50	65	80	100
Ø C	45	58	68	78	88	102	122	138	162
Ø D	95	105	115	140	150	165	185	200	235
Ø K	65	75	85	100	110	125	145	160	190
Nb x Ø L	4 x 14	4 x 14	4 x 14	4 x 18	4 x 18	4 x 18	8 x 18	8 x 18	8 x 22
b	16	18	18	18	18	20	22	24	24
e	2	2	2	2	2	3	3	3	3

3 PIECES CARBON STEEL BALL VALVE FLANGED PN40 INITIAL RANGE

STEM EXTENSION SIZE (in mm) :



DN	15	20	25	32	40	50
H	126.3		126.3		128	
E	124		157.8		188.5	
Ø D	28		32		36.5	
Ø d	12		14		14	
Weight (in Kg)	0.34		0.48		0.62	
Ref.	9810612		9810613		9810614	



3 PIECES CARBON STEEL BALL VALVE FLANGED PN40 INITIAL RANGE

STANDARDS :

- Manufacturer certified ISO 9001 : 2015
- DIRECTIVE 2014/68/EU : For liquids and gas of Group 1
 - DN15-25 : Article 4, §3 (SEP), no CE marking
 - DN32-100 : Risk Category II, CE 0038 or CE 0343 marking
- Designed according to EN 12516-2
- Certificate 3.1 on request
- Pressure tests according to API 598, table 6
- R.F. flanges according to EN 1092-1 PN40
- Length according to EN 558 series 1 (NF 29355 DIN 3202 F1)

ADVICE : Our opinion and our advice are not guaranteed and SFERACO shall not be liable for the consequences of damages.
The customer must check the right choice of the products with the real service conditions.