

3 PIECES STAINLESS STEEL BALL VALVE BW INITIAL RANGE

3 pieces carbon steel ball valve with full bore for Chemical industries, petrochemical industries, hydraulic installation, heating, water distribution and compressed air.
PTFE packing and gasket, PTFE filled with 15% glass seat.
Removable central part for an easy maintenance.

Certificate
3.1



Lloyd's
Register
PED/2014/68/UE



Size : DN8 to DN100
Connection : BW
Min Temperature : -20°C
Max Temperature : +180°C
Max Pressure : 63 bars (up to DN20)
Specifications : 3 pieces type
PTFE filled with 15% glass seat
Anti blow-out stem
Full bore

Materials : Stainless Steel ASTM A351 CF8M

3 PIECES STAINLESS STEEL BALL VALVE BW INITIAL RANGE

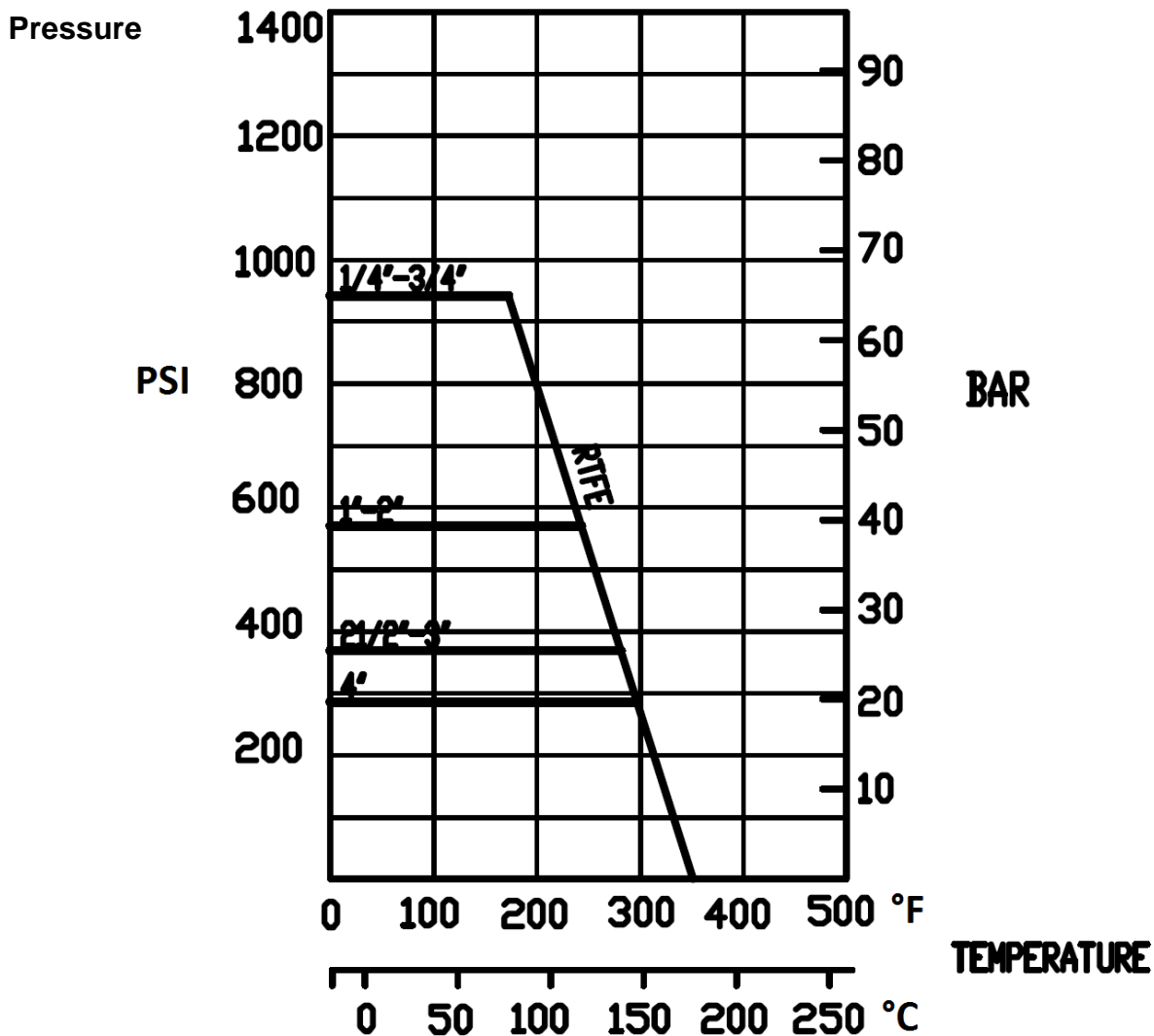
SPECIFICATIONS :

- Full bore
- Anti blow-out stem
- PTFE packing
- Locking device
- Stem extension in AISI 304 (option)

USE :

- Chemical and pharmaceutical industries, petrochemical industries, hydraulic installation, compressed air
- Min and max Temperature Ts : -20°C to + 180°C
- Max Pressure Ps : 63 bars up to DN20, 40 bars from DN25 to 50, 25 bars from DN65 to 80 and 20 bars for DN100 (see graph under)
- Compressed air : 10 bars max
- Do not use with steam

PRESSURE / TEMPERATURE GRAPH (STEAM AND COMPRESSED AIR EXCLUDED) :



3 PIECES STAINLESS STEEL BALL VALVE BW INITIAL RANGE

TORQUE VALUES (In Nm without safety coefficient) :

DN	8	10	15	20	25	32	40	50	65	80	100
Torque (Nm)	2	2	2.5	3.5	6	7	12	16	40	50	70

BOLT TIGHTENING TABLE (in Nm) :

DN	8	10	15	20	25	32	40	50	65	80	100
Torque (Nm)	4	4	8	8	10	13	20	20	35	45	65

FLOW COEFFICIENT Kvs (M3 / h) :

DN	8	10	15	20	25	32	40	50	65	80	100
Kvs (m3/h)	5.2	5.2	20.7	30.2	40.6	70	90.8	208.4	275.9	501.6	865

RANGE :



- Stainless steel 3 pieces ball valve Initial Range BW **Ref. 791** from DN8 to DN100



- AISI 304 stem extension **Ref.9810611-9810614** from DN8 to DN50



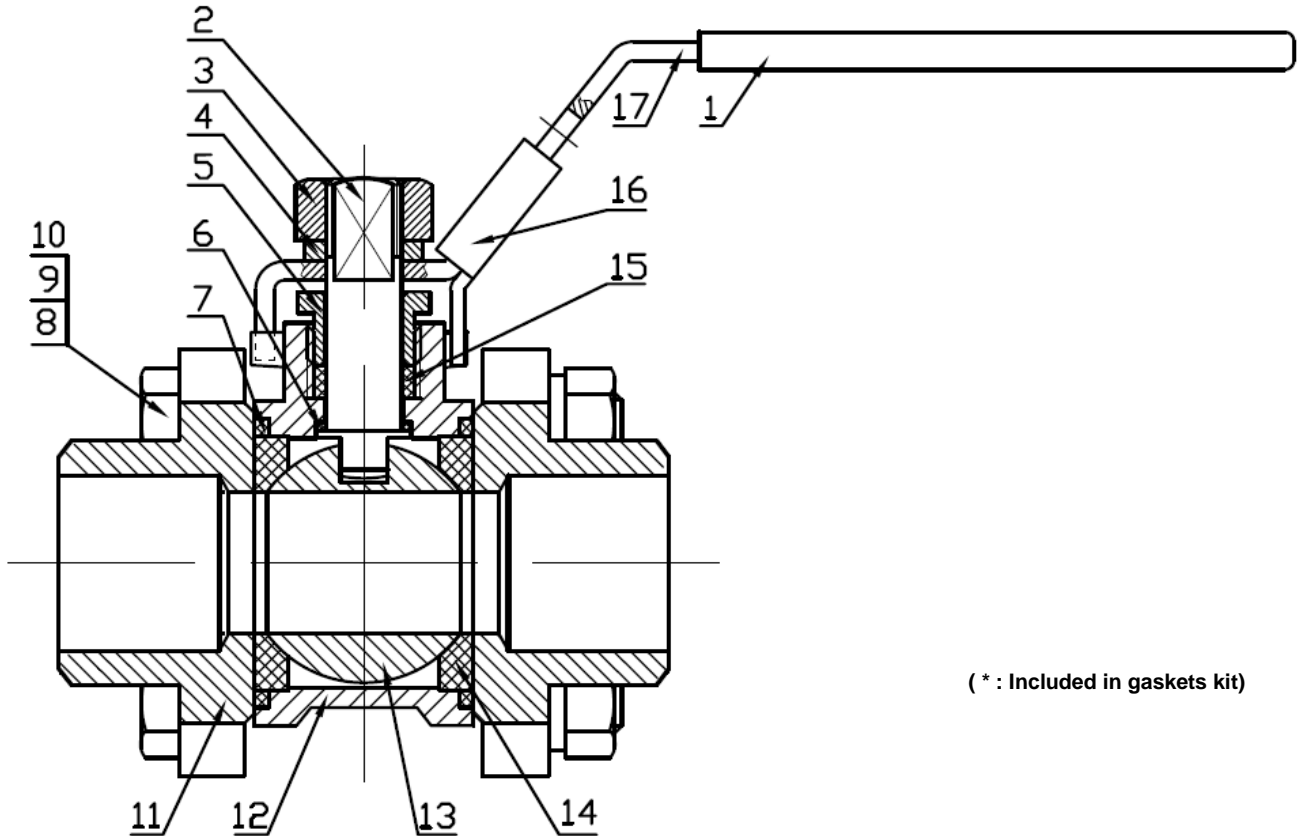
- Blue handle cover **Ref. 9830584-9830588** from DN15 to DN100

CONNECTION :

- BW

3 PIECES STAINLESS STEEL BALL VALVE BW INITIAL RANGE

MATERIALS :

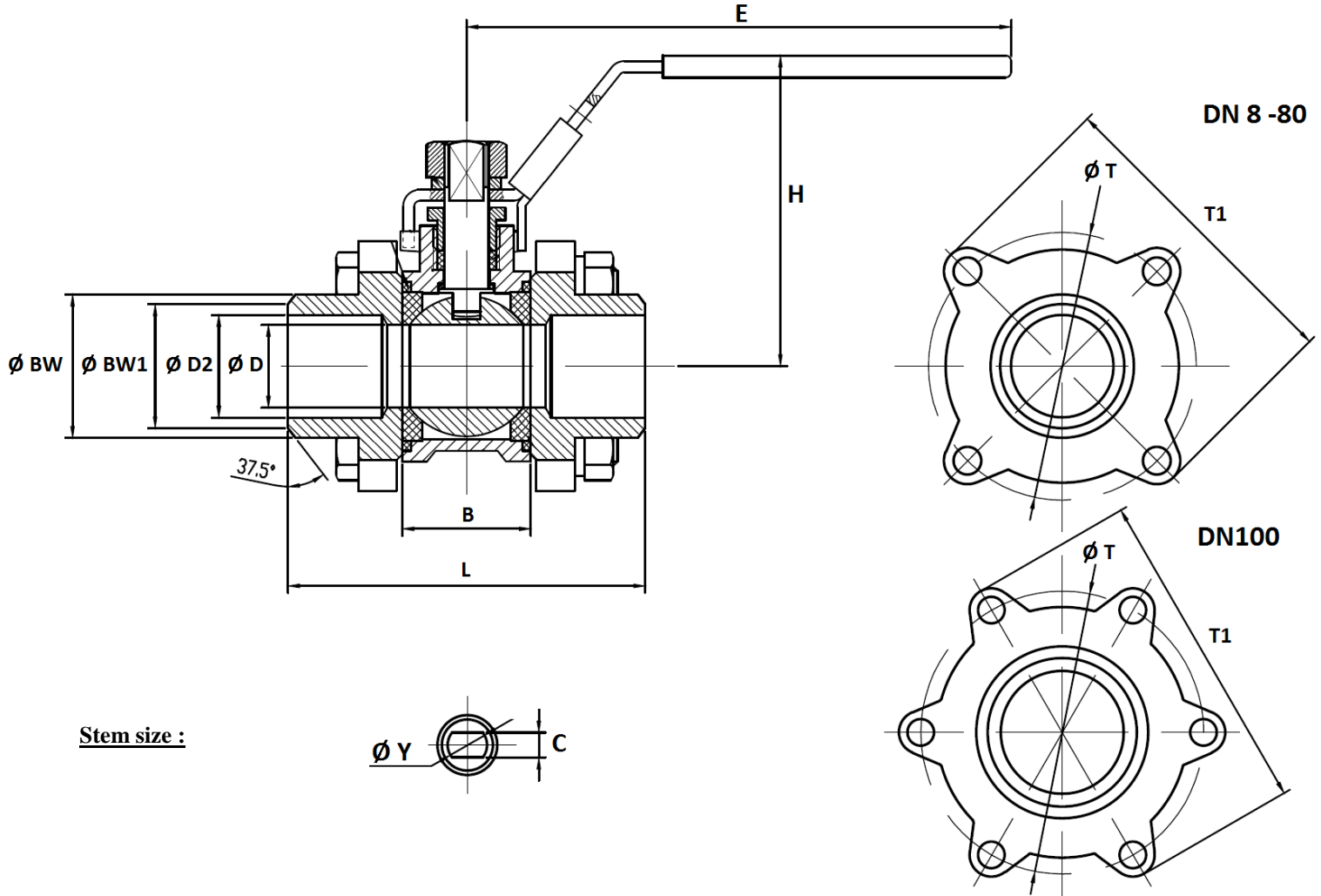


(* : Included in gaskets kit)

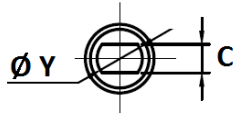
Item	Designation	Materials
1	Handle cover	PVC
2	Stem	AISI 316
3	Handle nut	AISI 304
4	Handle washer	
5	Packing gland	
6*	Thrust washer	PTFE
7*	Body gasket	
8	Stud	AISI 304
9	Stud Washer	
10	Stud nut	
11	Nipple	ASTM A351 CF8M
12	Body	
13	Ball	AISI 316
14*	Seat	PTFE filled with 15% glass fiber
15*	Packing	PTFE
16	Locking device	AISI 304
17	Handle	

3 PIECES STAINLESS STEEL BALL VALVE BW INITIAL RANGE

Size (in mm) :



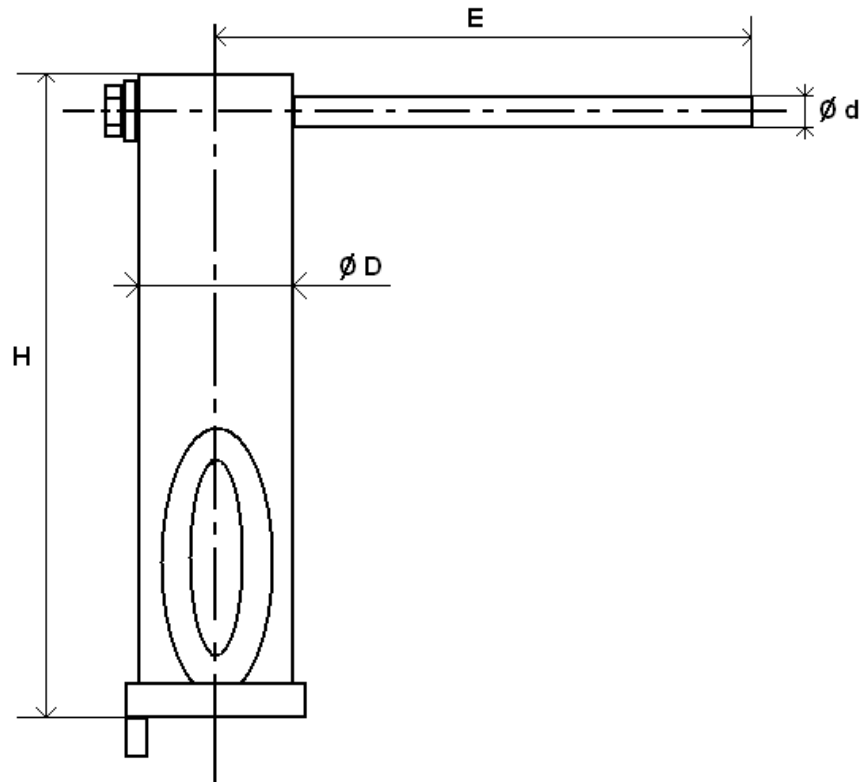
Stem size :



DN	8	10	15	20	25	32	40	50	65	80	100
Ø D	11.6	12.5	15	20	25	32	38	50	64	76	100
L	59	59	63.3	70.6	82	97	109	124.6	162	175	216
B	21.1	21.1	23.3	28.6	34	44	51	63	84.3	94.7	119.2
E	103	103	126	126	162	162	193	193	230	230	320
H	49	49	57	62	72	78	91	102	122	132	177
Ø Y	M8	M8	M8	M8	M10	M10	M12	M12	M14	M14	M20
C	5	5	5	5	6.5	6.5	8.5	8.5	9.8	9.8	16
Ø T	38.5	38.5	43	51.5	58	70	81.5	101	136	157	195.5
T1	51	51	57.5	66	74.5	86.5	100.5	121.5	161	185	226.5
Ø BW	15.5	17.5	22	27.3	34	42.7	48.7	61	76.5	90	115
Ø BW1	13.3	14.5	17	22.5	28.6	36	43	54	68	84	104
Ø D2	11.6	12.5	15	20	25	32	39.8	50	64	76	100
Weight (Kg)	0.30	0.30	0.47	0.6	0.93	1.44	2.1	3.32	7.2	10.78	21.14
Ref.	791008	791010	791015	791020	791025	791032	791040	791050	791065	791080	791100

3 PIECES STAINLESS STEEL BALL VALVE BW INITIAL RANGE

STEM EXTENSION (in mm) :



DN	8	10	15	20	25	32	40	50
H	126		126.3		126.3		128	
E	124		124		157.8		188.5	
Ø D	28		28		32		36.5	
Ø d	12		12		14		14	
Weight (in Kg)	0.33		0.34		0.48		0.62	
Ref.	9810611		9810612		9810613		9810614	

3 PIECES STAINLESS STEEL BALL VALVE BW INITIAL RANGE

STANDARDS :

- Manufacturer certified ISO 9001 : 2015
- DIRECTIVE 2014/68/EU : For liquids and gas of Group 1
 - DN8-25 : Article 4, §3 (SEP), no CE marking
 - DN32-100 : Risk Category II, CE 0038 or CE 0343 marking
- Designing according to EN 12516-2
- Certificate 3.1 on request
- Pressure tests according to API 598, table 6
- BW ends according to EN 12627 (ex DIN 3239)

ADVICE : Our opinion and our advice are not guaranteed and SFERACO shall not be liable for the consequences of damages.
The customer must check the right choice of the products with the real service conditions.