

## 3 PIECES BALL VALVE WITH ISO MOUNTING PAD PN 63 INITIAL RANGE BW

3 pieces stainless steel ball valve with full bore for Chemical industries, petrochemical industries, hydraulic installation, heating, water distribution, compressed air.

PTFE packing, FKM O ring gasket on stem and PTFE filled with 15% glass seat.

Compatible with explosive atmosphere, ATEX Zone 1&21 and Zone 2&22 thanks to the antistatic device.

Thanks to the ISO 5211 plate, an actuator can be installed on the valve.



**Certificate**  
**3.1**



**Size :** DN15 to DN50

**Connection :** BW

**Min Temperature :** -20°C

**Max Temperature :** +180°C

**Max Pressure :** 63 Bars up to DN20

**Specifications :** ISO 5211 mounting pad

PTFE filled with 15% glass seat

Anti blow-out stem, full bore

ATEX

**Materials :** Stainless steel ASTM A351 CF8M

**3 PIECES BALL VALVE WITH ISO MOUNTING PAD PN 63 INITIAL RANGE BW**

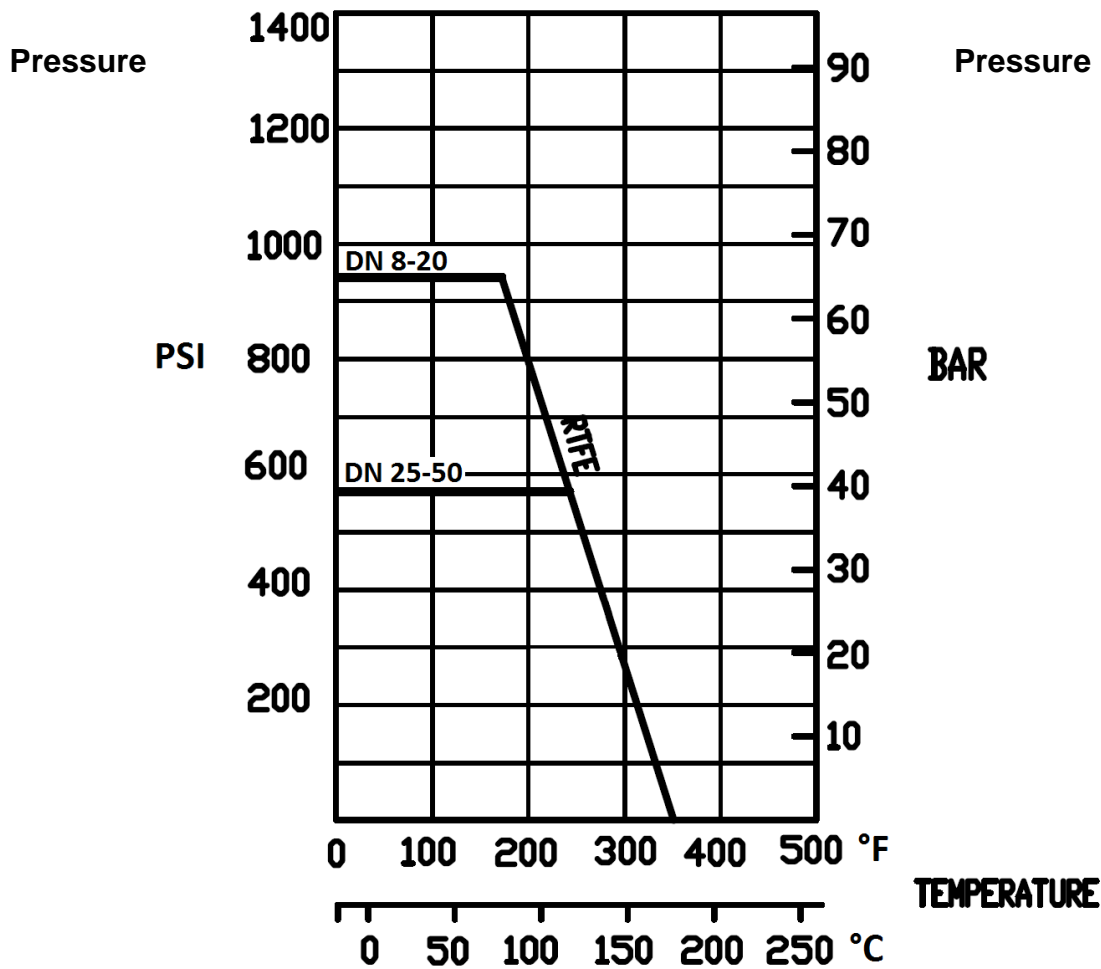
**SPECIFICATIONS :**

- Full bore
- Anti blow-out stem
- PTFE packing
- ISO 5211 direct mounting pad
- Double antistatic device (between stem-body and stem-ball)
- Atex
- Locking device

**USE :**

- Chemical industries, petrochemical industries, hydraulic installation, heating, water distribution, compressed air
- Min and max Temperature Ts : -20°C to + 180°C
- Max Pressure Ps : 63 bars up to DN20, 40 bars from DN25 to DN50 (see graph under)

**PRESSURE / TEMPERATURE GRAPH ( STEAM AND COMPRESSED AIR EXCLUDED ) :**



**3 PIECES BALL VALVE WITH ISO MOUNTING PAD PN 63 INITIAL RANGE BW**

**TORQUE VALUES ( in Nm without safety coefficient ) :**

| DN          | 15  | 20  | 25 | 32 | 40 | 50 |
|-------------|-----|-----|----|----|----|----|
| Torque (Nm) | 2.5 | 3.5 | 6  | 7  | 12 | 16 |

**BOLT TIGHTENING TABLE ( in Nm):**

| DN          | 15 | 20 | 25 | 32 | 40 | 50 |
|-------------|----|----|----|----|----|----|
| Torque (Nm) | 8  | 8  | 10 | 13 | 20 | 20 |

**FLOW COEFFICIENT Kvs ( m<sup>3</sup> / h ) :**

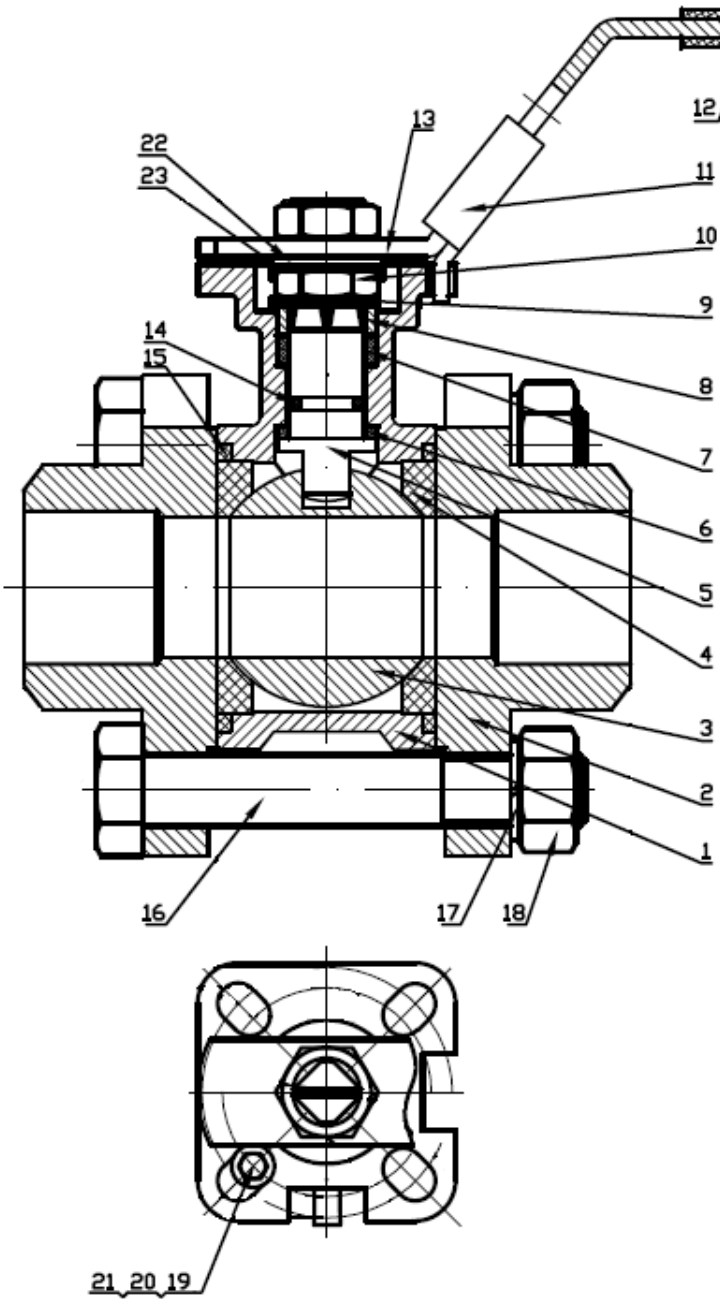
| DN                        | 15   | 20   | 25   | 32 | 40   | 50    |
|---------------------------|------|------|------|----|------|-------|
| Kvs ( m <sup>3</sup> /h ) | 20.7 | 30.2 | 40.6 | 70 | 90.8 | 208.4 |

**RANGE :**

- 3 pieces ball valve with ISO mounting pad Butt Welding ends **Ref. 741 from DN15 to DN50.**

**3 PIECES BALL VALVE WITH ISO MOUNTING PAD PN 63 INITIAL RANGE BW**

**MATERIALS :**

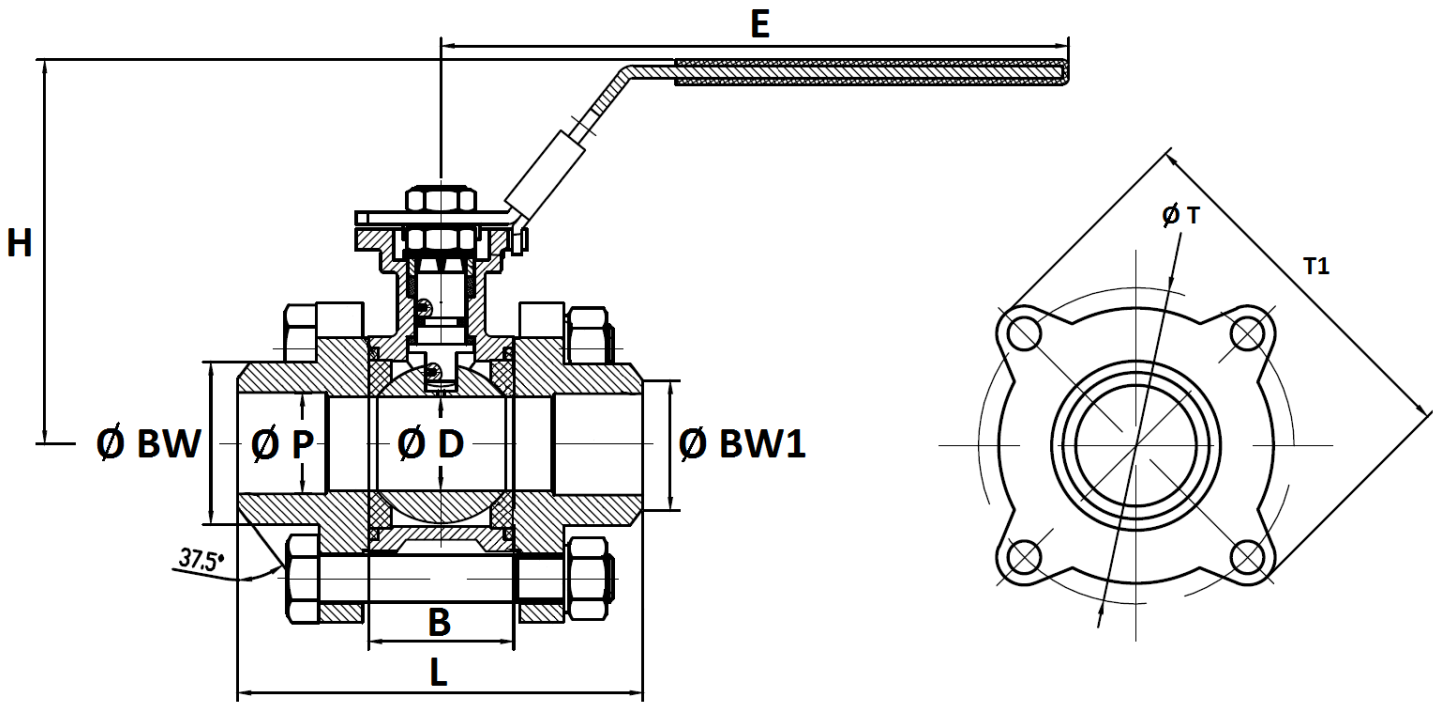


| Item | Designation    | Materials        |
|------|----------------|------------------|
| 1    | Body           | ASTM A351 CF8M   |
| 2    | End cap        |                  |
| 3    | Ball           | AISI 316         |
| 4*   | Seat           | PTFE + 15% glass |
| 5    | Stem           | AISI 316         |
| 6*   | Stem seal      | PTFE             |
| 7*   | Packing        |                  |
| 8    | Thrust washer  | AISI 304         |
| 9    | Elastic ring   |                  |
| 10   | Packing nut    |                  |
| 11   | Locking device |                  |
| 12   | Handle cover   | Plastic          |
| 13   | Handle         | AISI 304         |
| 14   | O Ring         | FKM              |
| 15*  | Body gasket    | PTFE             |
| 16   | Stud           | AISI 304         |
| 17   | Washer         |                  |
| 18   | Nut            |                  |
| 19   | Stop           |                  |
| 20   | Washer         |                  |
| 21   | Nut            |                  |
| 22   | Stem washer    |                  |
| 23   | Ring           |                  |

( \* : included in gaskets kit )

**3 PIECES BALL VALVE WITH ISO MOUNTING PAD PN 63 INITIAL RANGE BW**

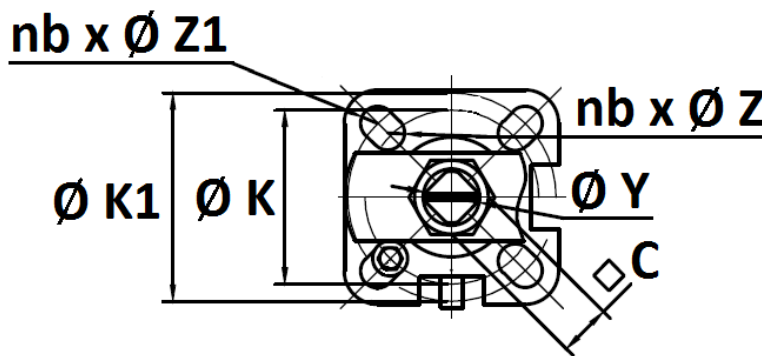
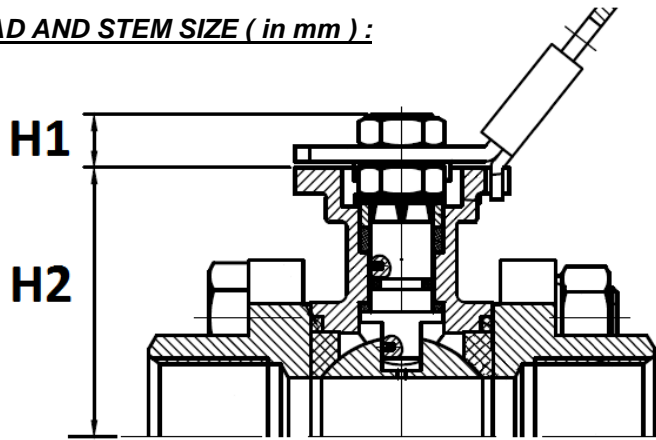
**SIZE ( en mm ):**



| DN             | 15     | 20     | 25     | 32     | 40     | 50     |
|----------------|--------|--------|--------|--------|--------|--------|
| Ø D            | 15     | 20     | 25     | 32     | 38     | 50     |
| L              | 66     | 70.6   | 82     | 97     | 109    | 124.6  |
| B              | 26     | 28.6   | 34     | 44     | 51     | 62.8   |
| E              | 141    | 141    | 162    | 162    | 188    | 188    |
| H              | 75     | 81     | 93     | 98     | 109    | 124    |
| Ø T            | 47.5   | 51.5   | 58     | 70     | 81.5   | 101    |
| T1             | 62     | 66     | 74.5   | 86.5   | 100.5  | 121.5  |
| Ø BW           | 22     | 27.3   | 34     | 42.7   | 48.7   | 61     |
| Ø BW1          | 17     | 22.5   | 28.6   | 36     | 43     | 54     |
| Ø P            | 15     | 20     | 25     | 32     | 39.8   | 50     |
| Weight (in Kg) | 0.62   | 0.62   | 1.09   | 1.48   | 2.39   | 3.72   |
| Ref.           | 741015 | 741020 | 741025 | 741032 | 741040 | 741050 |

**3 PIECES BALL VALVE WITH ISO MOUNTING PAD PN 63 INITIAL RANGE BW**

ISO MOUNTING PAD AND STEM SIZE ( in mm ) :



| DN       | 15      | 20      | 25      | 32      | 40      | 50      |
|----------|---------|---------|---------|---------|---------|---------|
| C        | 9       | 9       | 11      | 11      | 14      | 14      |
| Ø Y      | M12x1.5 | M12x1.5 | M14x1.5 | M14x1.5 | M18x1.5 | M18x1.5 |
| H1       | 9       | 9       | 11      | 11      | 15      | 15      |
| H2       | 42      | 48      | 55      | 60      | 70      | 85      |
| Ø K      | 36      | 36      | 42      | 42      | 50      | 50      |
| ISO      | F03     | F03     | F04     | F04     | F05     | F05     |
| nb x Ø Z | 4 x 6   | 4 x 6   | 4 x 6   | 4 x 6   | 4 x 7   | 4 x 7   |
| Ø K1     | 42      | 42      | 50      | 50      | 70      | 70      |
| ISO 1    | F04     | F04     | F05     | F05     | F07     | F07     |
| N x Ø Z1 | 4 x 6   | 4 x 6   | 4 x 7   | 4 x 7   | 4 x 9   | 4 x 9   |



**3 PIECES BALL VALVE WITH ISO MOUNTING PAD PN 63 INITIAL RANGE BW**

**STANDARDS :**

- Manufacturer certified ISO 9001 : 2015
- DIRECTIVE 2014/68/EU : For liquids and gas of Group 1
  - DN8-25 : Article 4, §3 (SEP), no CE marking
  - DN32-50 : Risk Category II, CE 0038 or CE 0343 marking
- Construction according to EN 12516-2
- Certificate 3.1 on request
- Pressure tests according to API 598
- ISO 5211 mounting pad
- ATEX Group II Category 2G IIA TX (optional marking) according to Directive 2014/34/UE

**ADVICE :** Our opinion and our advice are not guaranteed and SFERACO shall not be liable for the consequences of damages.  
The customer must check the right choice of the products with the real service conditions.