

BRASS BALL VALVE INDUSTRY PN40 BSP LONG THREADED ENDS

Brass ball valves industry full bore with large flat sealing face for water networks, heating, watering, cooling and compressed air.

PTFE packing with EPDM O ring on anti blow-out stem.

Long threaded ends with flat sealing face.



Size : DN1/8" to DN4"

Connection : Male, Female BSP

Min Temperature : -10°C

Max Temperature : +120°C

Max Pressure : 40 Bars (up to DN1")

Specifications : Anti blow-out stem (from DN1/2" to DN2")

PTFE packing + O ring EPDM

Full bore

Materials : Brass EN 12165-CW617N

BRASS BALL VALVE INDUSTRY PN40 BSP LONG THREADED ENDS

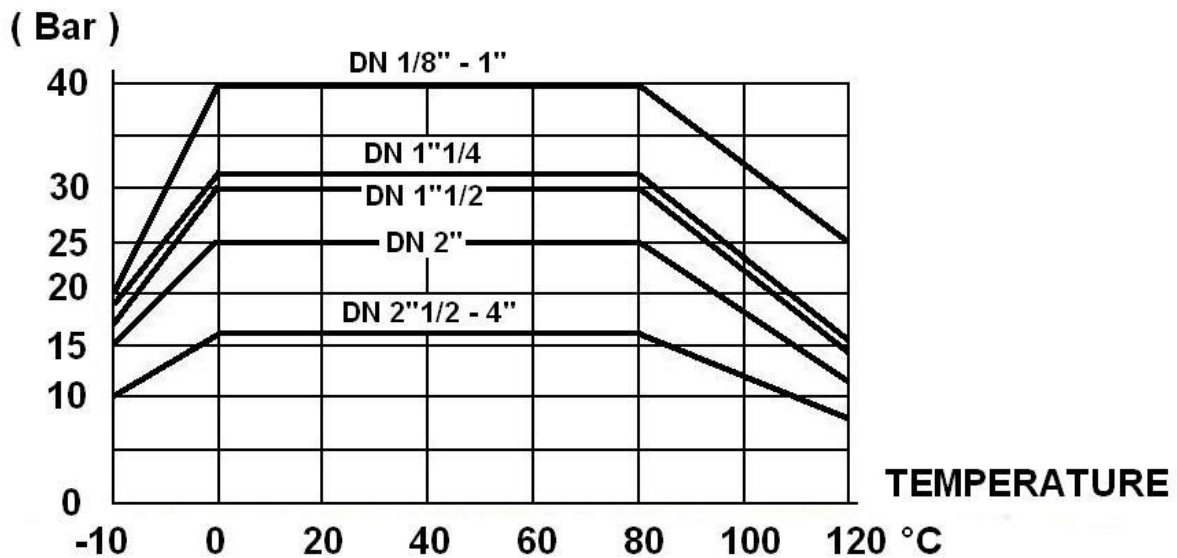
SPECIFICATIONS :

- Heavy model
- Long threaded ends
- Full bore
- Anti blow out stem from DN1/2" to DN2"
- Solid ball
- Packing PTFE + EPDM O ring
- Red flat steel handle or red butterfly aluminium handle

USE :

- Water, heating, watering, cooling and compressed air
- Min Temperature Ts : - 10 °C
- Max Temperature Ts : + 120°C
- Max Pressure Ps : 40 bars up to DN 1", 32 bars for DN 1"1/4, 30 bars for DN 1"1/2, 25 bars for DN 2" and 16 bars over (see graph)

PRESSURE / TEMPERATURE GRAPH (STEAM EXCLUDED) :

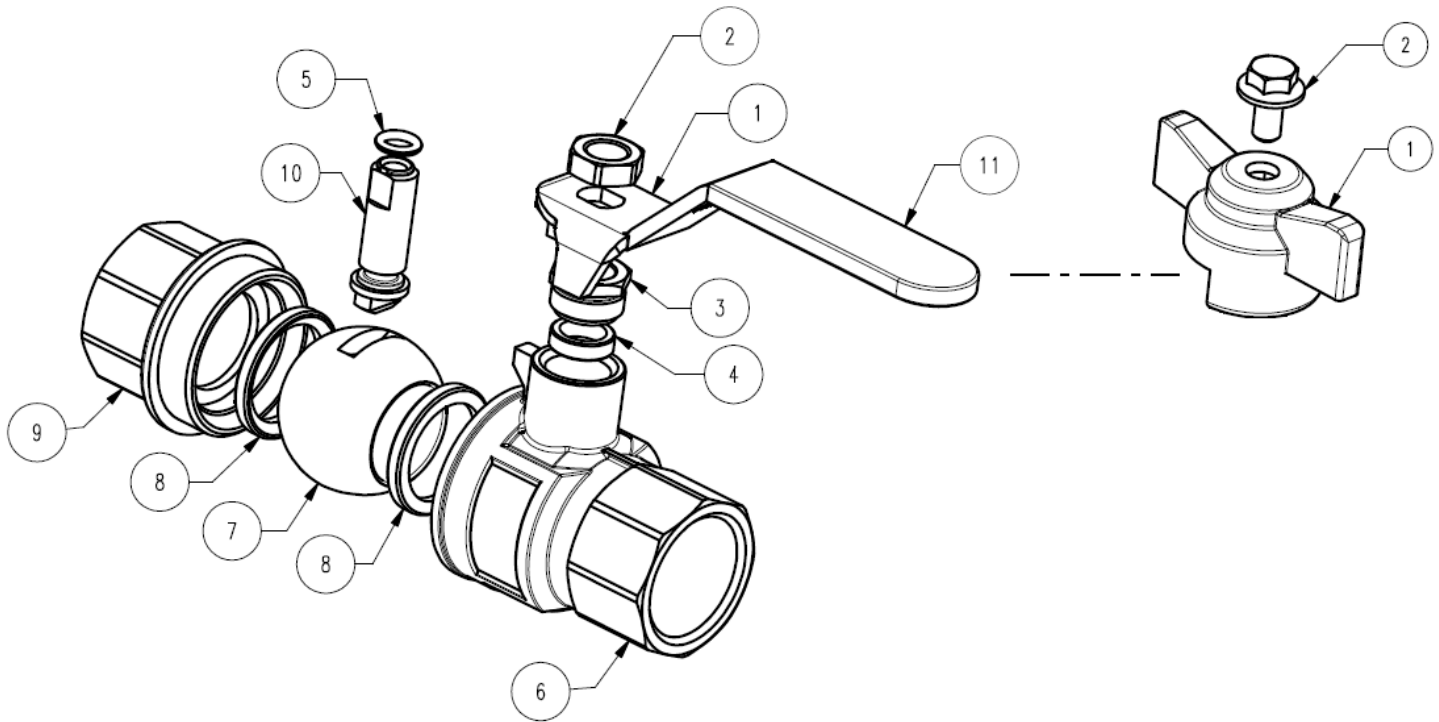


RANGE :

- Female / Female threaded BSP with red flat steel handle **Ref. 576** from DN 1/8" to 4"
- Female / Female threaded BSP with red aluminium butterfly handle **Ref. 523** from DN 1/4" to 1"
- Male / Female BSP with red flat steel handle **Ref. 527** from DN 1/4" to 2"
- Male / Female BSP with red aluminium butterfly handle **Ref. 537** from DN 1/4" to 1"
- Male / Male BSP with red flat steel handle **Ref. 538** from DN 3/8" to 1"
- Male / Male BSP with red aluminium butterfly handle **Ref. 548** from DN 3/8" to 1"

BRASS BALL VALVE INDUSTRY PN40 BSP LONG THREADED ENDS

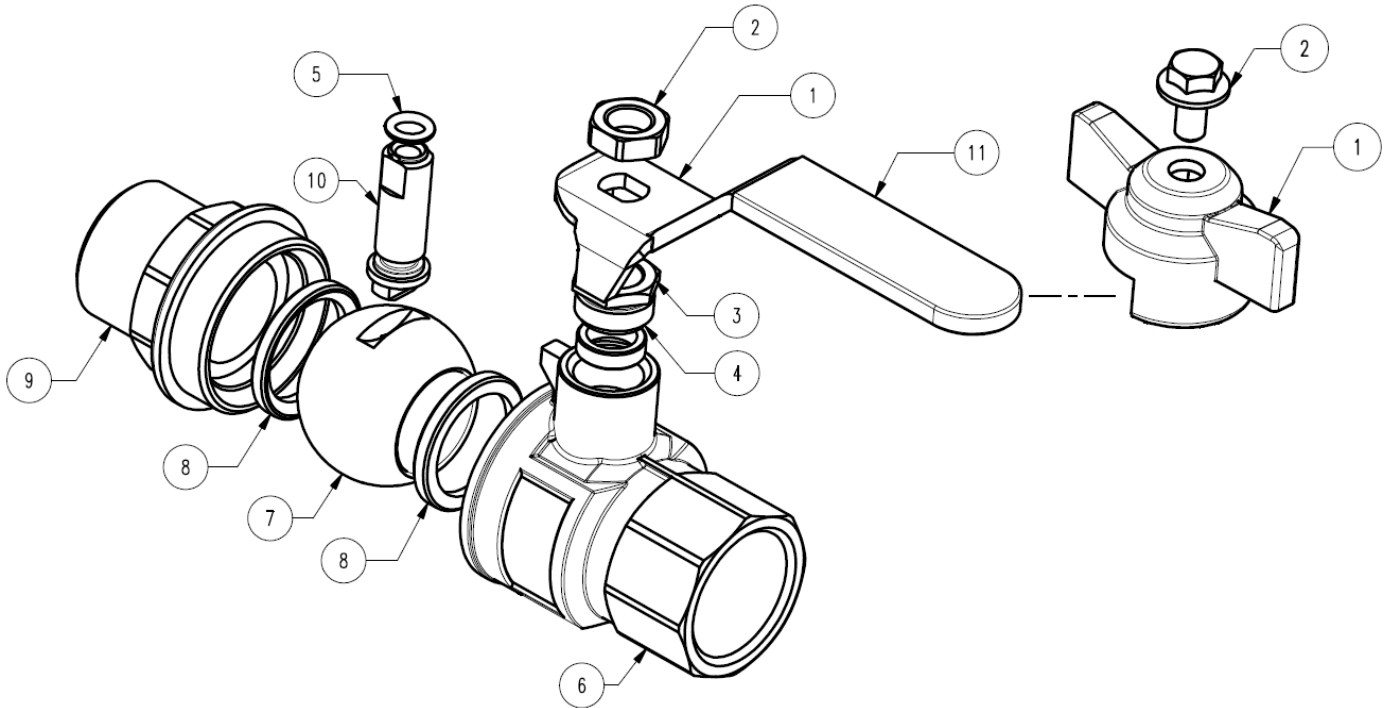
MATERIALS FEMALE – FEMALE TYPES :



Item	Designation	Materials 576	Materials 523
1	Handle	Galvanized steel	Aluminium
2	Nut / Screw	Steel	
3	Packing nut	Brass CW 614 N according to EN 12164	
4	Packing	PTFE	
5	O ring	EPDM	
6	Body	Brass CW 617 N according to EN 12165 nickeled	
7	Ball	Brass CW 617 N according to EN 12165 chromed	
8	Seat	PTFE	
9	Bonnet	Brass CW 617 N according to EN 12165 nickeled	
10	Stem	Brass CW 614 N according to EN 12164	
11	Handle cover	Plastic	-

BRASS BALL VALVE INDUSTRY PN40 BSP LONG THREADED ENDS

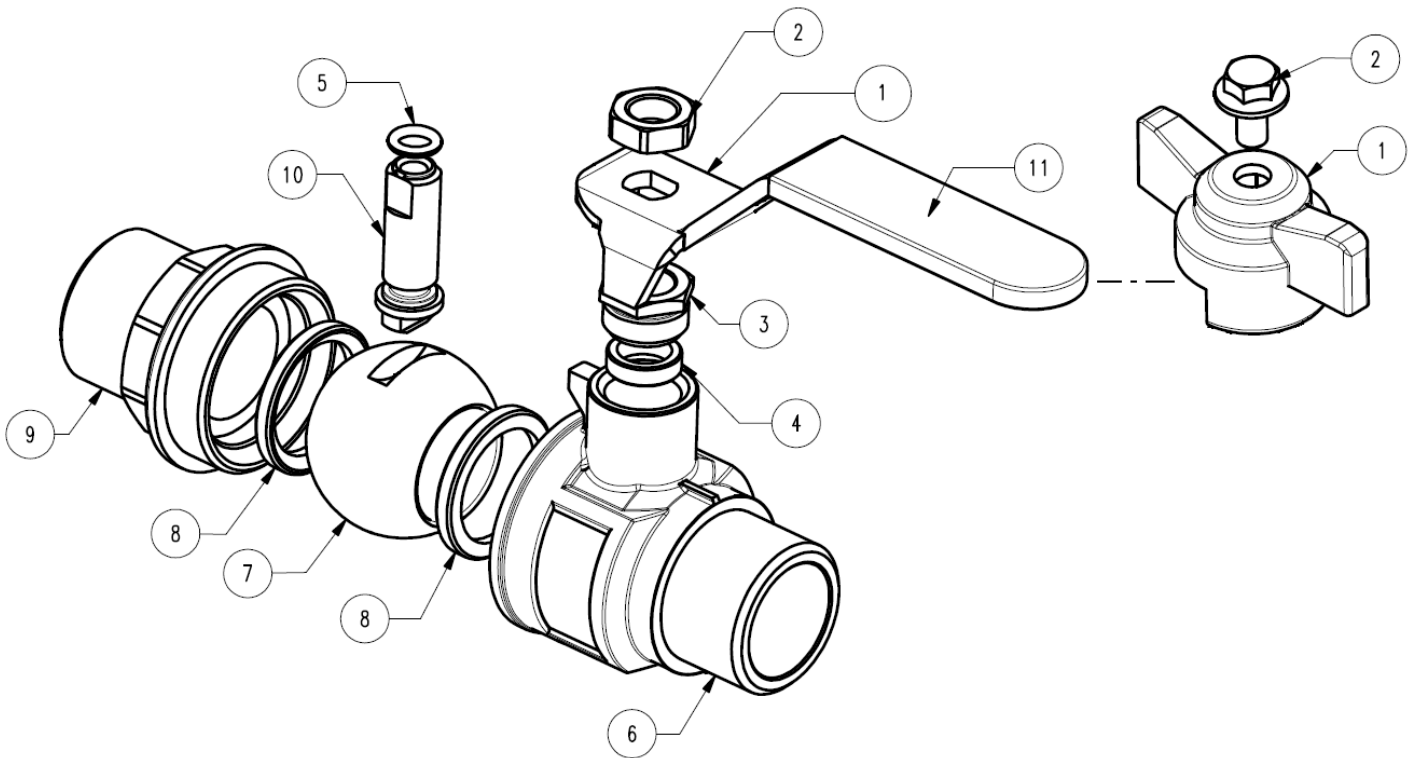
MATERIALS MALE – FEMALE TYPES :



Item	Designation	Materials 527	Materials 537
1	Handle	Galvanized steel	Aluminium
2	Nut / Screw	Steel	
3	Packing nut	Brass CW 614 N according to EN 12164	
4	Packing	PTFE	
5	O ring	EPDM	
6	Body	Brass CW 617 N according to EN 12165 nickeled	
7	Ball	Brass CW 617 N according to EN 12165 chromed	
8	Seat	PTFE	
9	Bonnet	Brass CW 617 N according to EN 12165 nickeled	
10	Stem	Brass CW 614 N according to EN 12164	
11	Handle cover	Plastic	-

BRASS BALL VALVE INDUSTRY PN40 BSP LONG THREADED ENDS

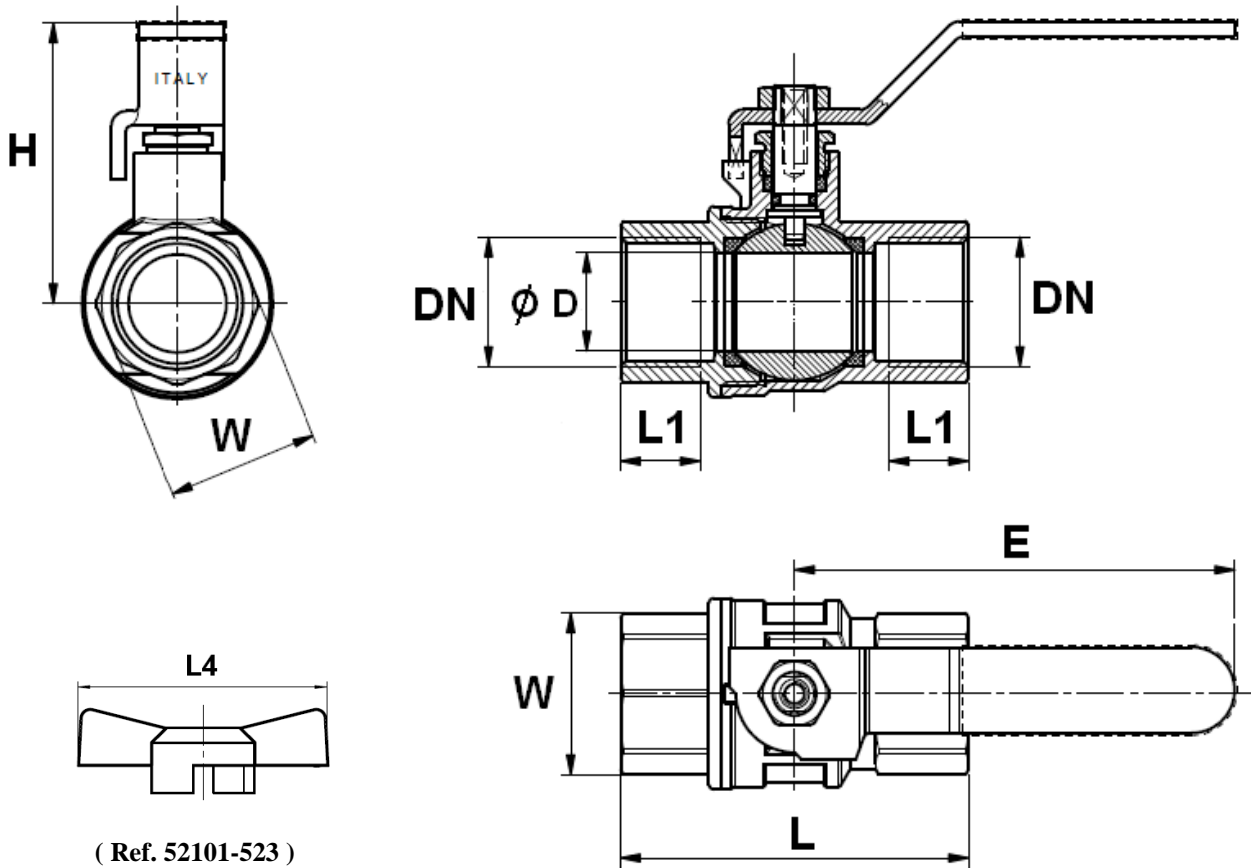
MATERIALS MALE - MALE TYPES :



Item	Designation	Materials 538	Materials 548
1	Handle	Galvanized steel	Aluminium
2	Nut / Screw	Steel	
3	Packing nut	Brass CW 614 N according to EN 12164	
4	Packing	PTFE	
5	O ring	EPDM	
6	Body	Brass CW 617 N according to EN 12165 nickeled	
7	Ball	Brass CW 617 N according to EN 12165 chromed	
8	Seat	PTFE	
9	Bonnet	Brass CW 617 N according to EN 12165 nickeled	
10	Stem	Brass CW 614 N according to EN 12164	
11	Handle cover	Plastic	-

BRASS BALL VALVE INDUSTRY PN40 BSP LONG THREADED ENDS

SIZE FEMELLE / FEMELLE TYPES (in mm) :

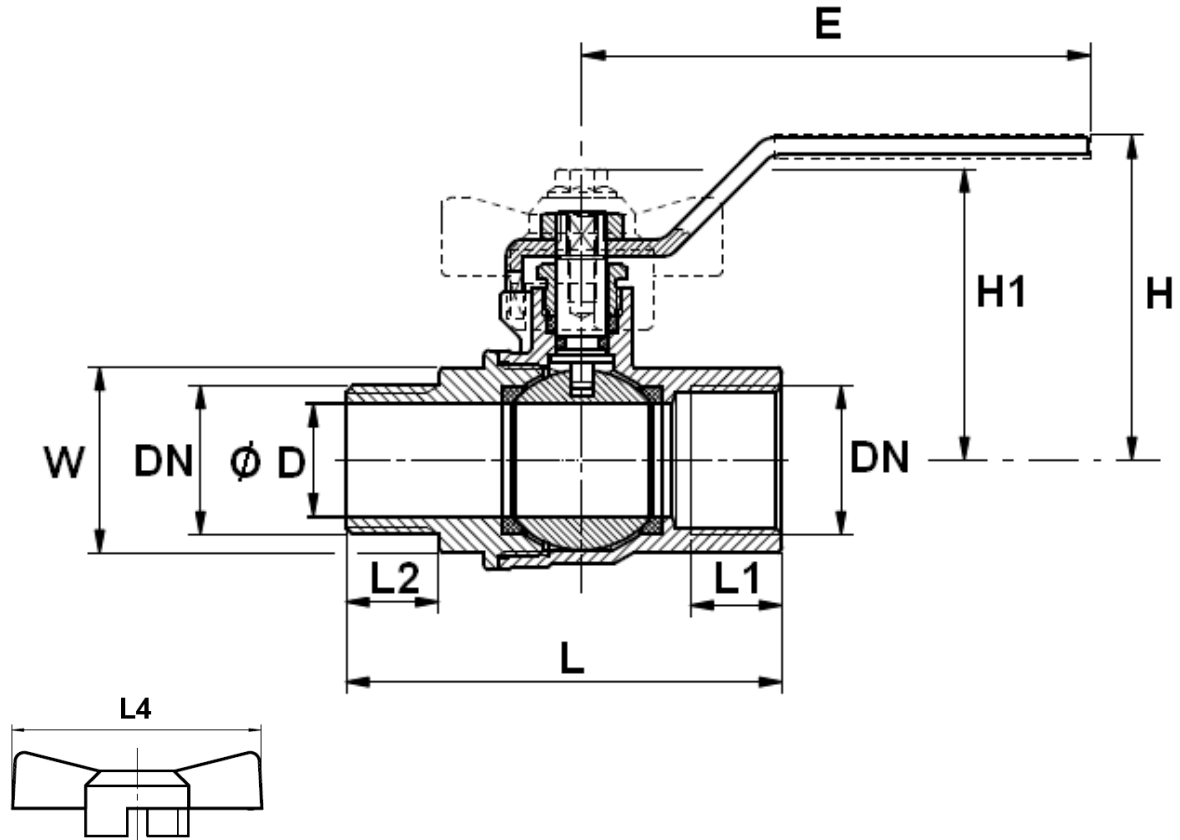


(Ref. 52101-523)

Ref.	DN	1/8"	1/4"	3/8"	1/2"	3/4"	1"	1"1/4	1"1/2	2"	2"1/2	3"	4"
523	Ø D	9	10	10	15	20	25	32	40	49	60	74	94
	L	37.7	46.5	46.5	62	71	81.5	92	102	126	138	161.5	181
	L1	10	10	10	15	16.3	19.1	21.4	21.4	26	26	27	28
	L4	-	50	50	50	50	65	-	-	-	-	-	-
576	E	60	80	80	90	90	130	130	150	150	203	280	280
	H	35	40.5	40.5	53.5	57.5	66.5	72	83.5	90	116	132	150
	W on flat	20	21	21	26	31	38	48	55	68	85	98	123
576	Weight (Kg)	0.11	0.14	0.13	0.26	0.34	0.61	0.88	1.337	1.99	3.09	4.81	7.96
523	Weight (Kg)	-	0.125	0.109	0.229	0.310	0.536	-	-	-	-	-	-

BRASS BALL VALVE INDUSTRY PN40 BSP LONG THREADED ENDS

SIZE MALE / FEMELLE TYPES (in mm) :

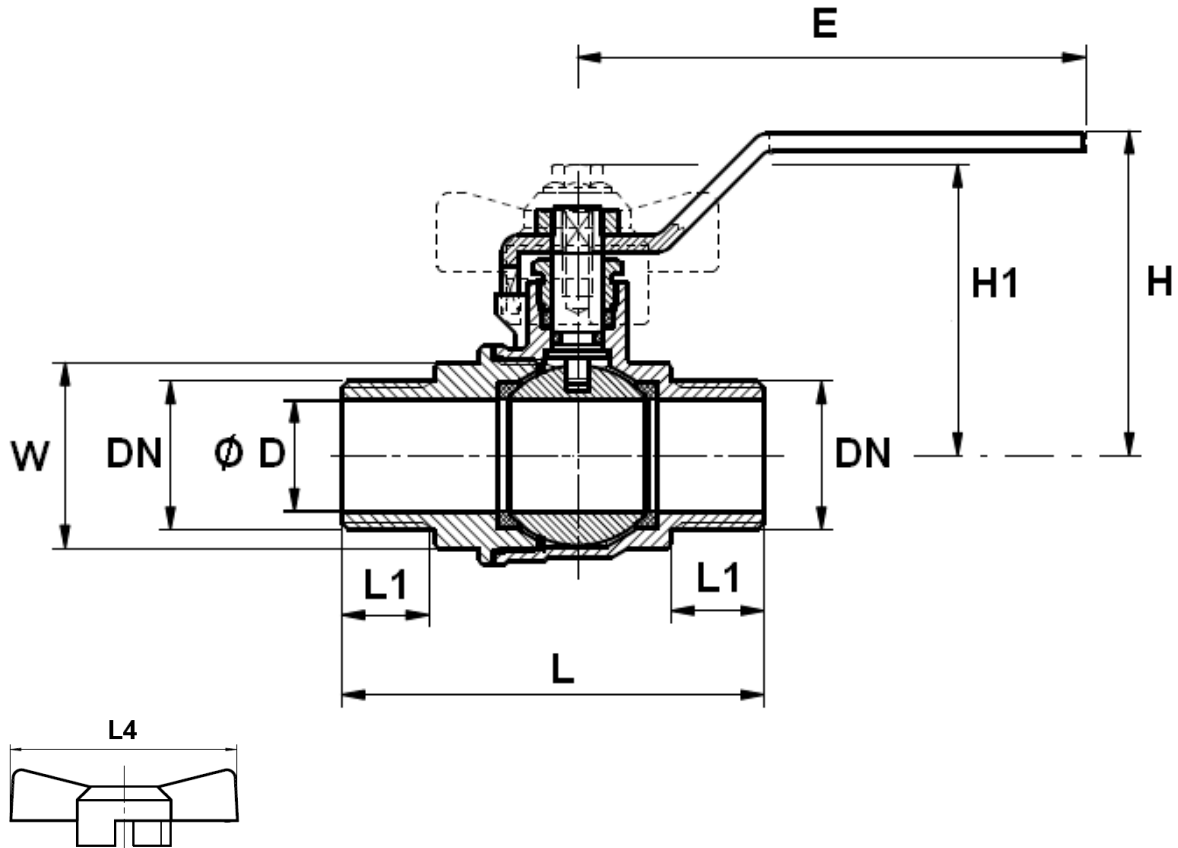


(Ref. 537)

Ref.	DN	1/4"	3/8"	1/2"	3/4"	1"	1"1/4"	1"1/2"	2"
527	Ø D	10	10	15	20	25	32	40	49
	L	52.5	52.5	67.5	77.5	87.5	101.5	110.5	134
	L1	10	10	15	16.3	19.1	21.4	21.4	26
	L2	11.5	11.5	15	16.5	19.5	21.5	21.5	26.5
	L4	50	50	50	50	65	-	-	-
537	E	80	80	90	90	130	130	150	150
	H	40.5	40.5	53.5	57.5	66.5	72	83.5	90
	H1	37.5	37.5	48	52	62.5	-	-	-
	W on flat	21	21	26	31	38	48	55	68
527	Weight (Kg)	0.14	0.14	0.27	0.36	0.62	0.94	1.37	2.02
537	Weight (Kg)	0.10	0.12	0.24	0.33	0.56	-	-	-

BRASS BALL VALVE INDUSTRY PN40 BSP LONG THREADED ENDS

SIZE MALE / MALE TYPES (in mm) :



(Ref. 548)

Ref.	DN	3/8"	1/2"	3/4"	1"
538	Ø D	10	15	20	25
	L	51.5	65.5	75.5	85.5
	L1	11.5	15	16.5	19.5
	L4	50	50	50	65
	E	80	90	90	130
548	H	40.5	53.5	57.5	66.5
	H1	37.5	48	52	62.5
	W on flat	21	26	31	38
538	Weight (Kg)	0.13	0.25	0.34	0.61
548	Weight (Kg)	0.11	0.22	0.31	0.54

BRASS BALL VALVE INDUSTRY PN40 BSP LONG THREADED ENDS

STANDARDS :

- Manufacturer certified ISO 9001 : 2015
- Designing according to EN 13828
- DIRECTIVE 2014/68/EU : Products excluded from directive up to DN1" (Article 4, § 3)
Risk category I module A from DN1"1/4 to DN2"
- Threaded male and female BSP cylindrical ends according to ISO 228-1

ADVICE : Our opinion and our advice are not guaranteed and SFERACO shall not be liable for the consequences of damages.
The customer must check the right choice of the products with the real service conditions.