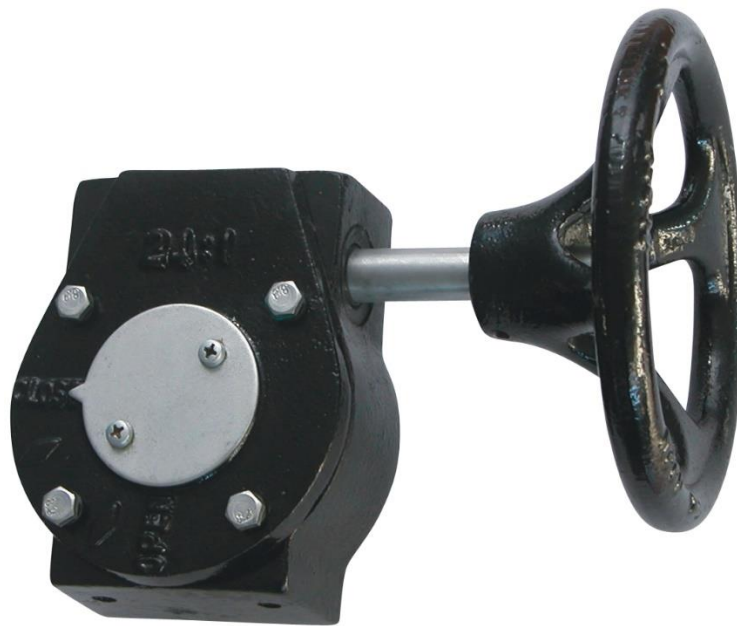


GEARBOX FOR BUTTERFLY VALVES INITIAL RANGE

Gearbox for butterfly valves initial range.

Direct mounting on ISO 5211 mounting pad of the butterfly valve.



Size : DN40 to DN400
Connection : ISO 5211 mounting pad
Specifications : Worm wheel type
Direct mounting pad ISO 5211
Cast iron handwheel
Carbon steel shaft
Aluminium pointer

Materials : Cast iron body EN GJL-250



GEARBOX FOR BUTTERFLY VALVES INITIAL RANGE

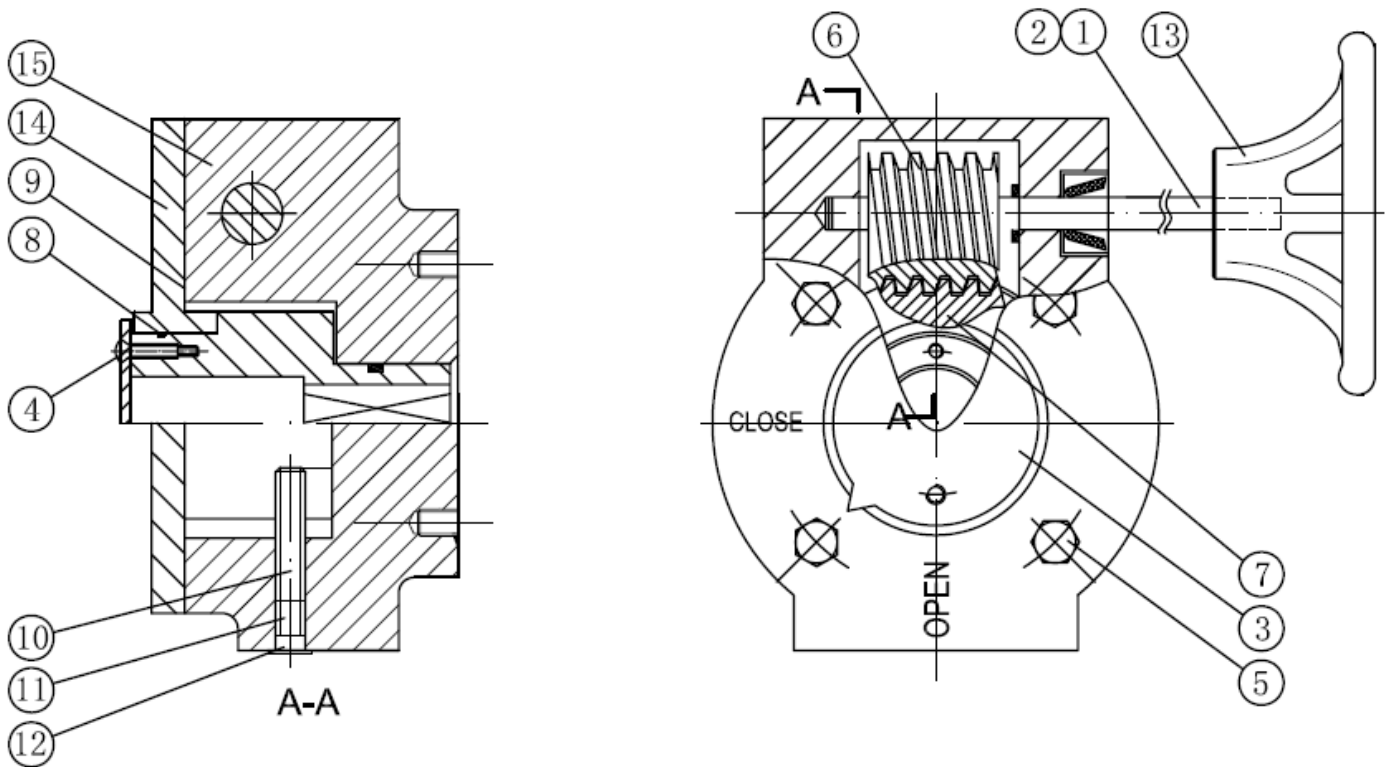
SPECIFICATIONS :

- For Initial range butterfly valves Ref. 1121/1123/1125/1131/1133 and 1135
- Direct mouting on ISO 5211 mounting pad
- Worm wheel type
- Cast iron handwheel
- Cast steel stem
- With pointer
- Protection Indice IP54

DN	40-80	100	125-150	200	250	300-350	400
Ref.	1198001	1198002	1198003	1198004	1198005	1198006	1198007
Ratio factor	24 :1	24 :1	24 :1	30 :1	30 :1	50 :1	80 :1
Number of turns for opening / closing	6	6	6	8	8	12.5	20
Input torque (Nm)	18	18	18	58	58	60	
Output torque (Nm)	170	170	170	700	700	1200	2500

GEARBOX FOR BUTTERFLY VALVES INITIAL RANGE

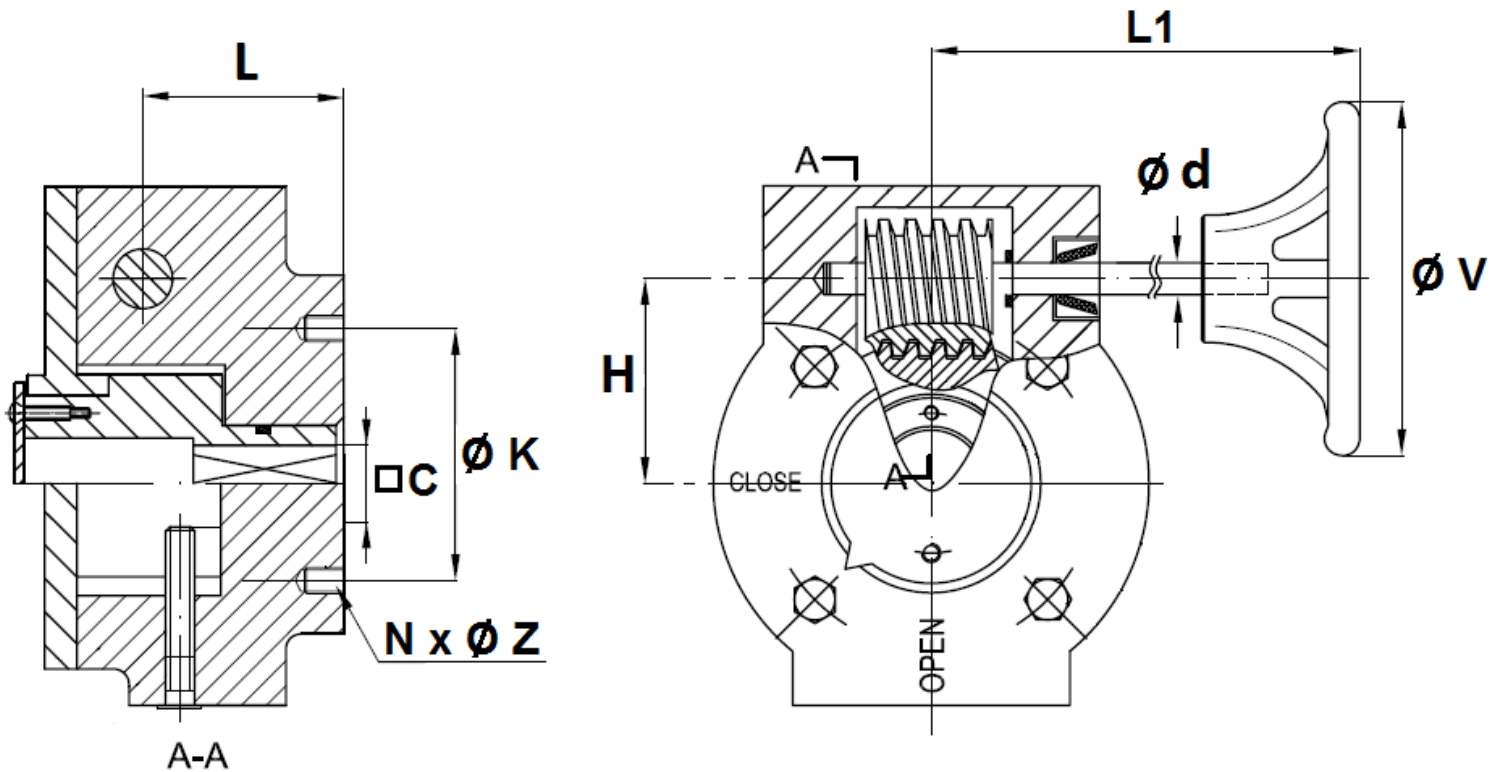
MATERIALS :



Item	Designation	Materials
1	Stem	Chromed cast steel
2	Pin	AISI 316
3	Pointer	Aluminium with NBR gasket
4	Bolting	AISI 316
5		
6	Wheel	Cast steel
7	Worm	Ductile iron EN GJS-400-15
8	O ring	NBR
9	Bonnet gasket	
10	Internal screw	Cast steel
11	External screw	AISI 316
12	Cap	Plastic
13	Handwheel	Cast iron EN GJL-250 epoxy coated
14	Bonnet	
15	Body	
	Bolting to fix on butterfly valve	AISI 304

GEARBOX FOR BUTTERFLY VALVES INITIAL RANGE

SIZE (in mm) :



DN	40/80	100	125/150	200	250	300-350	400
C	9	11	14	17	22	27	27
Ø K	50	50	70	102	125	125	125
ISO	F05	F05	F07	F10	F12	F12	F12
Nx ØZ	4 x M6	4 x M6	4 x M8	4 x M10	4 x M12	4 x M12	4 x M12
L1	156	156	156	241	223	223	270
L	41	41	43	43	40	40	62
H	46.5	46.5	46.5	66	66	78.5	120
Ø d	16	16	16	19	19	19	25
Ø V	145	145	245	295	295	295	400
Weight (kg)	3.51	4.22	3.53	6.99	7.42	9.6	
Ref.	1198001	1198002	1198003	1198004	1198005	1198006	1198007



GEARBOX FOR BUTTERFLY VALVES INITIAL RANGE

STANDARDS :

- Manufacturer certified ISO 9001 : 2015
- ISO 5211 mounting pad

ADVICE : Our opinion and our advice are not guaranteed and SFERACO shall not be liable for the consequences of damages.
The customer must check the right choice of the products with the real service conditions.