

2 PIECES SPLIT BODY BALL VALVE FLANGED CLASS 150 PN20 ICP

2 pieces stainless steel split body ball valve ICP with full bore for Chemical industries, petrochemical industries, hydraulic installation, heating, water distribution, compressed air.

Ball valve with firesafe certificate ISO 10497 to reduce risks in case of fire.

Fugitive emission according to EN 15848-1 :2006 for an excellent tightness on the stem and to prevent external leakage.

PTFE seat for a temperature up to +230°C.

Compatible with explosive atmosphere, ATEX Zone 1&21 and Zone 2&22 thanks to the antistatic device.

Handling possible with gearbox or stainless steel handle.

Thanks to the ISO 5211 plate, an actuator can be installed on the valve.



NACE
MR01-75



Certificate
3.1



Size : DN15 to DN200 (NPS 1/2" to NPS 8")

Connection : Flanged Class 150 (PN20) RF

Min Temperature : -50°C

Max Temperature : +230°C

Max Pressure : 19 bars

Specifications : Antistatic device, ATEX

ISO 5211 mounting pad

Anti blow-out stem, full bore

Fugitive Emissions EN 15848-1 :2006

Fire Safe ISO 10497 :2004

Materials : Stainless Steel ASTM A351 CF8M

2 PIECES SPLIT BODY BALL VALVE FLANGED CLASS 150 PN20 ICP

SPECIFICATIONS :

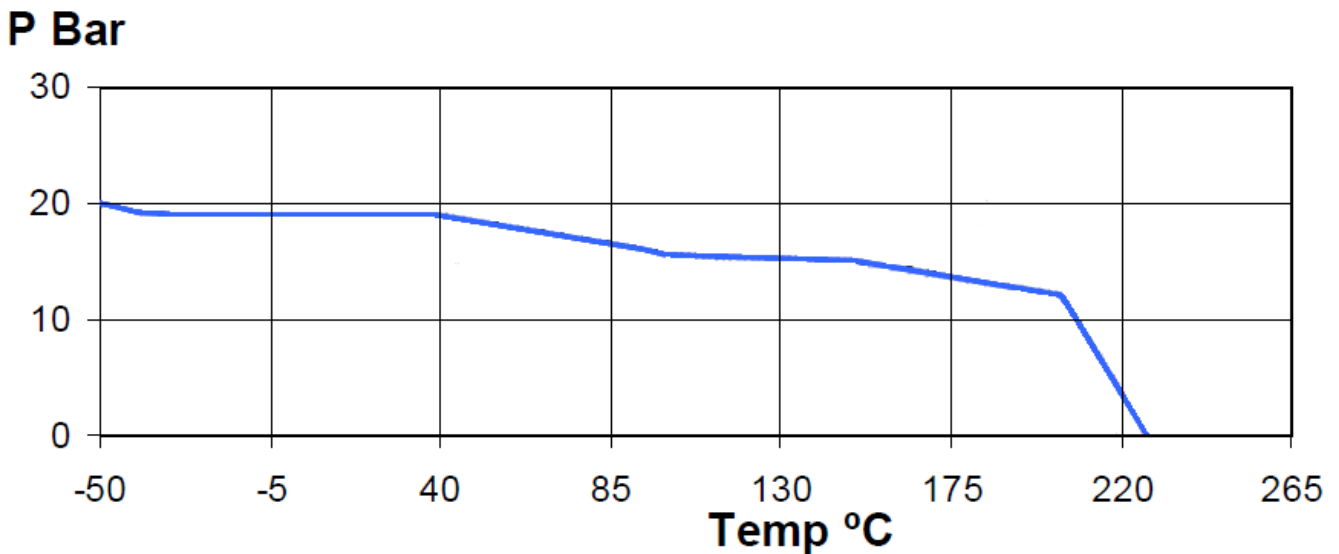
- Full bore
- Anti blow-out stem
- PTFE seat
- Locking device
- ISO 5211 mounting pad
- 2 pieces type (Split body)
- Class 150 PN20 RF flanges
- Antistatic device
- Fire safe ISO 10497 : 2004
- Fugitive emissions EN 15848-1 : 2006
- Graphite packing + FKM O ring on stem
- With exhaust hole in the ball (located in the top of the ball to avoid overpressure in it)
- Blue painting colour RAL 5009 or Black painting colour RAL 9004, 5-15 microns thickness

USE :

- Chemical industries, petrochemical industries, hydraulic installation, heating, water distribution, compressed air
- Min and max Temperature Ts : -50°C to + 230°C
- Max Pressure Ps : 19 bars
- Vacuum 10⁻² torr
- Compressed air (ambient temperature) : 16 bars maximum
- Steam : 12 bars maximum

PRESSURE / TEMPERATURE GRAPH (STEAM EXCLUDED) :

PRESSURE





2 PIECES SPLIT BODY BALL VALVE FLANGED CLASS 150 PN20 ICP

FLOW COEFFICIENT Kvs (in m³ / h) :

DN (mm)	15	20	25	40	50	65	80	100	150	200
NPS (")	1/2"	3/4"	1"	1"1/2	2"	2"1/2	3"	4"	6"	8"
Kvs (m ³ / h)	20	40	75	170	270	550	1000	1650	4200	9000

TORQUE VALUE (in Nm without safety coefficient) :

DN (mm)	15	20	25	40	50	65	80	100	150	200
NPS (")	1/2"	3/4"	1"	1"1/2	2"	2"1/2	3"	4"	6"	8"
Torque (Nm)	6	8	12	22	36	50	79	130	220	630

RANGE :

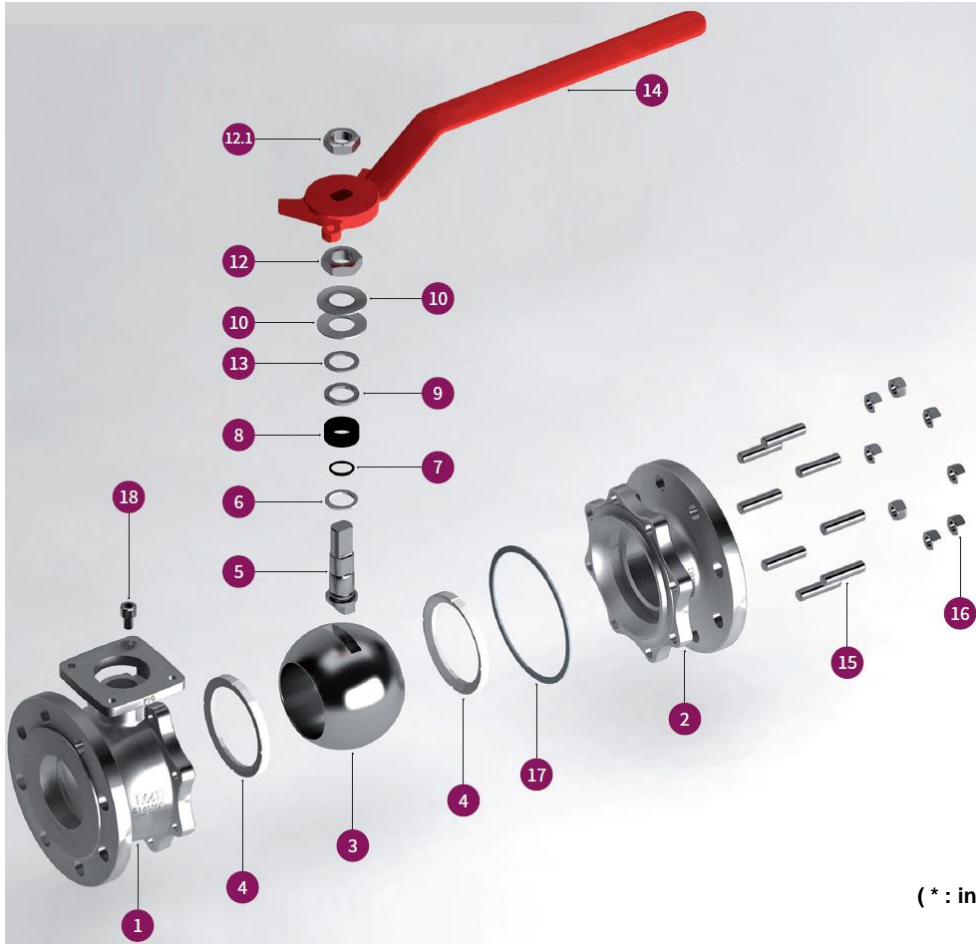
- Stainless steel ball valve **Ref. 757** DN 15 to DN 200 (NPS 1/2" to 8")
- Possible with gearbox **Ref. 9830221 and 9830266-267** from DN 100 to 200 (NPS 4" to 8")
- Stainless steel handle ASTM A351 CF8M **Ref. 9812090-9812097** from DN 15 to DN 200 (NPS 1/2" to 8")

ENDS:

- Class 150 (PN20) R.F. Flanges

2 PIECES SPLIT BODY BALL VALVE FLANGED CLASS 150 PN20 ICP

VALVE MATERIALS :

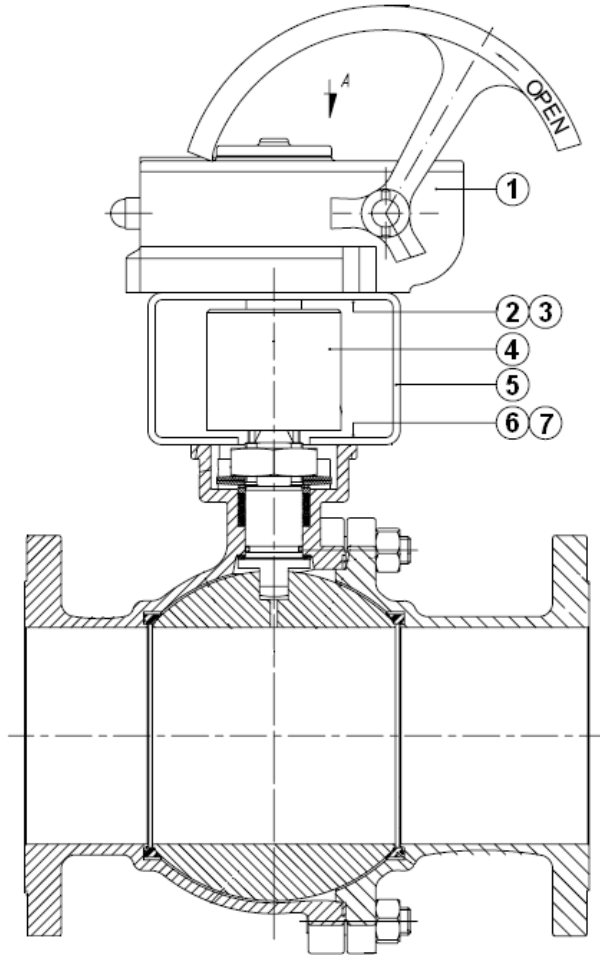


(* : included in gaskets kit)

Item	Designation	Materials
1	Body	ASTM A351 CF8M
2	Ends	
3	Ball	
4*	Seat	PTFE
5	Stem	ASTM A479 type 316
6*	Stem thrust seal	PTFE filled with 25% glass
7*	Stem O ring	FKM
8*	Gland Packing	Graphite
9	Gland	AISI 303
10	Elastic ring	Inconel 718
12	Gland nut	AISI 303
12.1	Handle nut	AISI 303
13	Antifriction washer	PTFE filled with 25% glass
14	Handle	Nodular iron
15	Stud	A 193 Gr. B8M
16	Nut	A 194 Gr. 8M
17*	Spiralwound gasket	SS 316L + PTFE + Graphite
18	Bolt	A2

2 PIECES SPLIT BODY BALL VALVE FLANGED CLASS 150 PN20 ICP

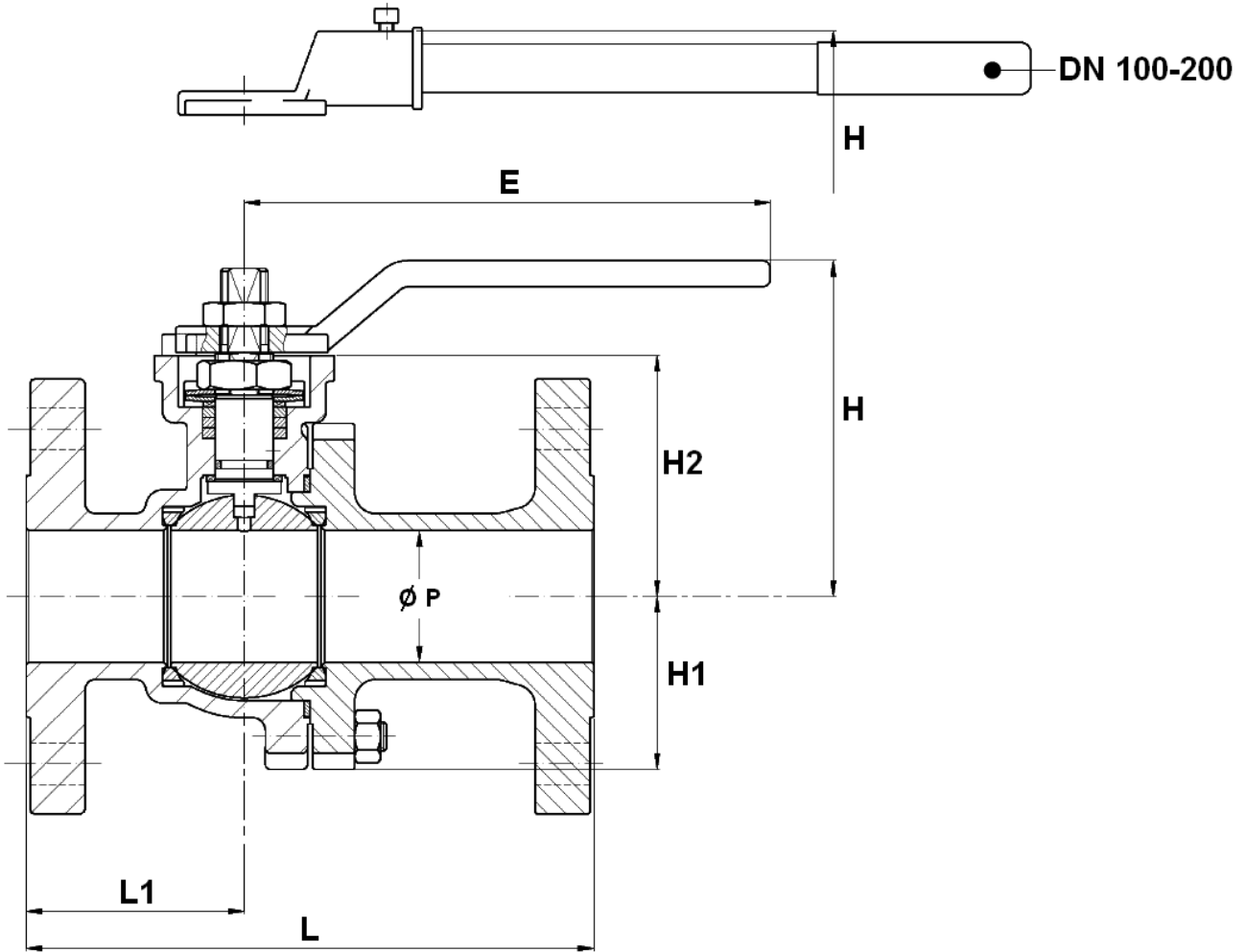
GEARBOX MATERIALS :



Item	Designation	Materials
1	Gearbox	Painted steel
2	Screw	DIN 912 A2
3	Washer	DIN 912 A2
4	Coupling	Stainless steel
5	Mounting bracket	Stainless steel
6	Screw	DIN 912 A2
7	Washer	DIN 912 A2

2 PIECES SPLIT BODY BALL VALVE FLANGED CLASS 150 PN20 ICP

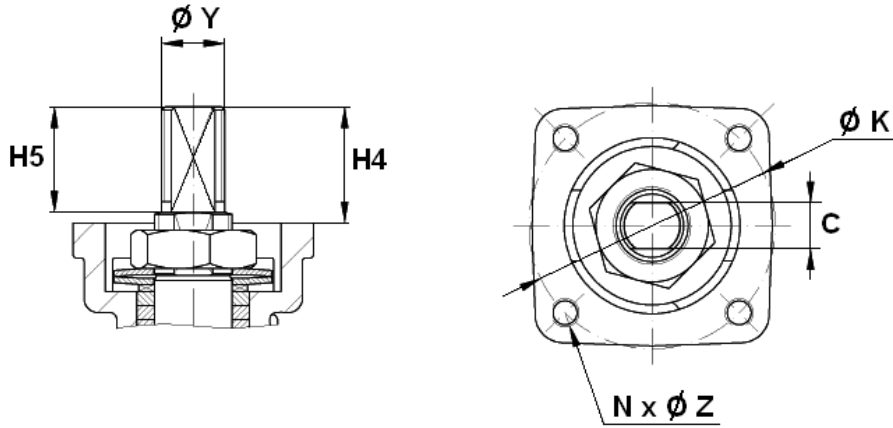
VALVE SIZE (in mm) :



DN (mm)	15	20	25	40	50	65	80	100	150	200
NPS (")	1/2"	3/4"	1"	1"1/2	2"	2"1/2	3"	4"	6"	8"
Ø P	15	20	25	40	50	65	78	100	151	203
L	108	117	127	165	178	190	203	229	394	457
L1	47	50	52	65	61	75	78.5	90	174	209
E	170	170	170	215	215	335	430	466	680	845
H	68	70	86	122.5	127.5	140	190	192.5	259	319
H1	31	33	39	48	63	78	87	108	152	202
H2	41	43	58.5	86.5	91.5	104	118.5	144	203	250
Weight (Kg)	1.7	2.2	2.9	6	8.5	13.3	18.5	29.3	64.5	123.2
Ref.	757015	757020	757025	757040	757050	757065	757080	757100	757150	757200

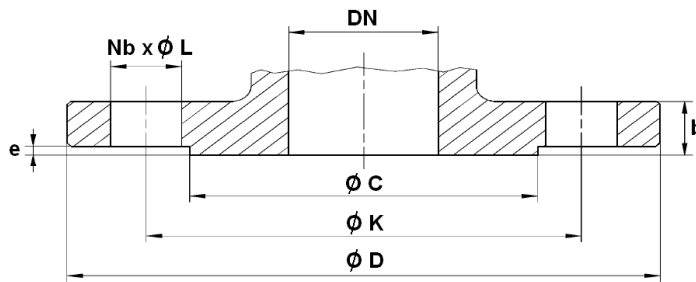
2 PIECES SPLIT BODY BALL VALVE FLANGED CLASS 150 PN20 ICP

ISO MOUNTING PAD AND STEM SIZE (in mm) :



DN (mm)	15	20	25	40	50	65	80	100	150	200
NPS (")	1/2"	3/4"	1"	1 1/2"	2"	2 1/2"	3"	4"	6"	8"
C	7	7	8	12	12	15	15	19	24	32
H4	18	18	22	33	33	34	34	45	56	69
H5	11	11	21	32	32	33	33	43.5	54.5	67
Ø Y	M10	M10	M12	M18	M18	M22	M22	M28	M36	M48
Ø K	50	50	50	70	70	70	102	102	125	140
ISO	F05	F05	F05	F07	F07	F07	F10	F10	F12	F14
N x Z	4 x M6	4 x M6	4 x M6	4 x M8	4 x M8	4 x M8	4 x M10	4 x M10	4 x M12	4 x M16

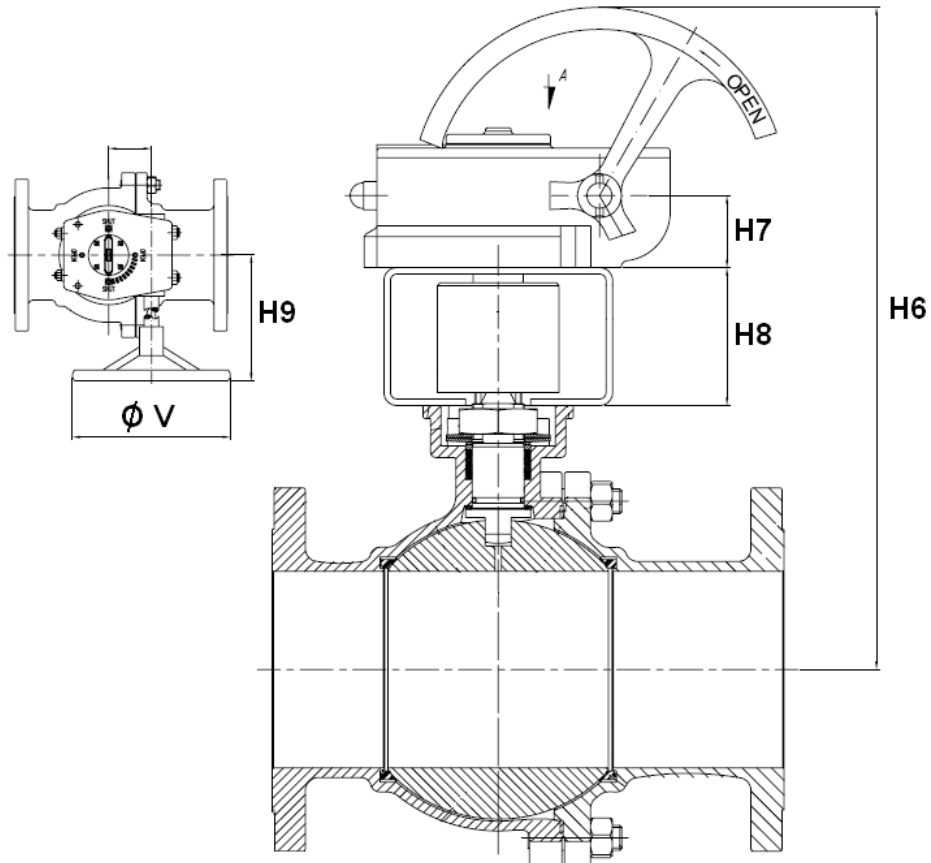
FLANGES SIZE (in mm) :



DN (mm)	15	20	25	40	50	65	80	100	150	200
NPS (")	1/2"	3/4"	1"	1 1/2"	2"	2 1/2"	3"	4"	6"	8"
Ø C	35	43	51	73	92	105	127	157	216	270
Ø D	88.9	98.5	108	127	152	178	191	229	279.5	343
Ø K	60.5	69.8	79.24	98.55	120.65	139.7	152.4	190.5	241.3	298.4
Nb x Ø L	4 x 15.8	4 x 15.8	4 x 15.8	4 x 15.8	4 x 19	4 x 19	4 x 19	8 x 19	8 x 22.2	8 x 22.2
b	11.2	11.2	11.2	14.3	15.8	17.6	19	23.9	25.5	28.5
e	1.6	1.6	1.6	1.6	1.6	1.6	1.6	1.6	1.6	1.6

2 PIECES SPLIT BODY BALL VALVE FLANGED CLASS 150 PN20 ICP

GEARBOX SIZE (in mm) :

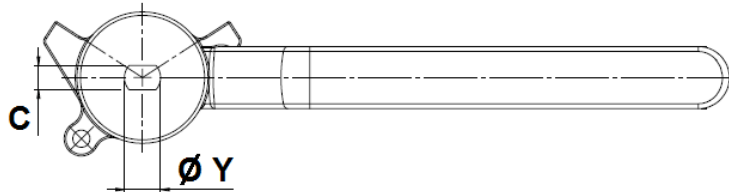
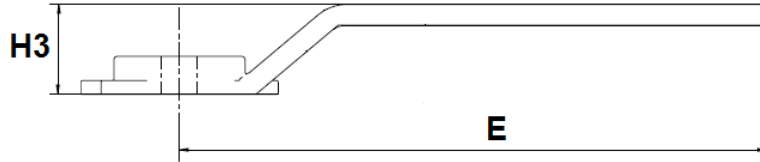


DN (mm)	100	150	200
NPS (")	4"	6"	8"
H6	521.5	596.5	643.5
H7	55	55	55
H8	90	106	106
H9	229	229	229
Ø V	465	465	465
Ref. gearbox alone	9830221	9830266	9830267
Weight gearbox alone (in Kg)	17.8	19.5	19.7
Weight gearbox+valve (in Kg)	47.1	84	142.9

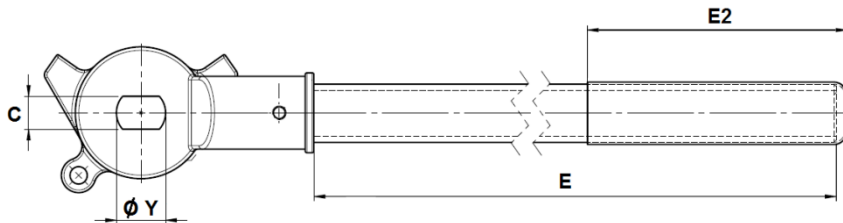
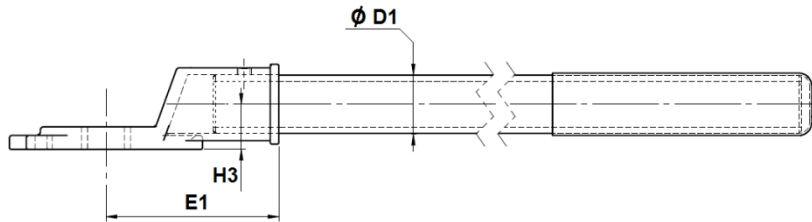
2 PIECES SPLIT BODY BALL VALVE FLANGED CLASS 150 PN20 ICP

STAINLESS STEEL HANDLE SIZE (in mm) :

DN 15 - 80



DN 100 - 200



DN	15-20	25-32	40-50	65	80	100	125-150	200
NPS (")	1/2"-3/4"	1"-1"1/4"	1"1/2"-2"	2"1/2"	3"	4"	5"-6"	8"
E	170	170	215	335	430	375	578	730
E1	-	-	-	-	-	100	115	140
E2	-	-	-	-	-	120	200	200
H3	26	26	35	35	71	26	30	36
Ø D1	-	-	-	-	-	26.8	33	42
C	7	8	12	15	15	19	24	32
Ø Y	10.5	12.5	18.5	22.5	22.5	28.5	36.5	48.5
Ref.	9812090	9812091	9812092	9812093	9812094	9812095	9812096	9812097



2 PIECES SPLIT BODY BALL VALVE FLANGED CLASS 150 PN20 ICP

STANDARDS :

- Manufacturer certified ISO 9001:2015
- DIRECTIVE 2014/68/EU : CE N° 0035
Risk Category III module H
- Certificate 3.1 on request
- Valve designing according to EN 1983 – ISO 17292 and ASME B16.34
- Materials according to NACE MR 01-75
- Pressure Tests according to EN 12266-1, Rate A and API 598
- Marking according to EN 19
- Fire safe according to ISO 10497 : 2004
- Fugitive Emissions according to EN 15848-1 : 2006
- Class 150 (PN20) Flanges R.F. according to ASME B16.5
- ISO 5211 mounting pad and stem size according to EN 15081
- Length according to ASME B16.10 (EN 558 series 3 up to DN100, series 12 for DN150 and 200)
- ATEX Group II Category 2 G/2Dc Zone 1 & 21 Zone 2 & 22 (optional marking) according to directive 2014/34/EU

ADVICE : Our opinion and our advice are not guaranteed and SFERACO shall not be liable for the consequences of damages.
The customer must check the right choice of the products with the real service conditions.