

**2 PIECES CARBON STEEL BALL VALVE PN16/40 FLANGED JC RANGE LONG PATTERN
(DIN 3202-1 F1) PTFE FILLED WITH GRAPHITE SEAT**

2 pieces split body ball valve JC with full bore for Chemical industries, petrochemical industries, hydraulic installation, heating, water distribution, compressed air.

Ball valve with firesafe certificate ISO 10497 and API 607 to reduce risks in case of fire.

Fugitive emission according to EN 15848-1 :2006 B Class and TA LUFT for an excellent tightness on the stem and to prevent external leakage.

PTFE filled with 20% graphite seat for a temperature up to +260°C.

Compatible with explosive atmosphere, ATEX Zone 1&21 and Zone 2&22 thanks to the double antistatic device.

Handling possible with locking device, gearbox, oval handwheel or stem extension.

Thanks to the ISO 5211 plate, an actuator can be installed on the valve.



**Certificate
3.1**

**NACE
MR01-75**



**JC
VALVES**



PED/2014/68/UE
BUREAU VERITAS
Certification



- Size :** DN15 to DN200
- Connection :** Flanged PN16/40 RF
- Min Temperature :** -29°C
- Max Temperature :** +260°C
- Max Pressure :** 40 Bars up to DN50, 16 bars over
- Specifications :** PTFE filled with 20% graphite seat
ISO 5211 mounting pad
Anti blow-out stem, full bore
Fire safe ISO 10497 : 2004, API 607 5th, BS 6755 Part 2 and API 6FA

Materials : Carbon steel EN 1.0619

*the installation defects and wear defects are not covered by the guarantee

**2 PIECES CARBON STEEL BALL VALVE PN16/40 FLANGED JC RANGE LONG PATTERN
(DIN 3202-1 F1) PTFE FILLED WITH GRAPHITE SEAT**

SPECIFICATIONS :

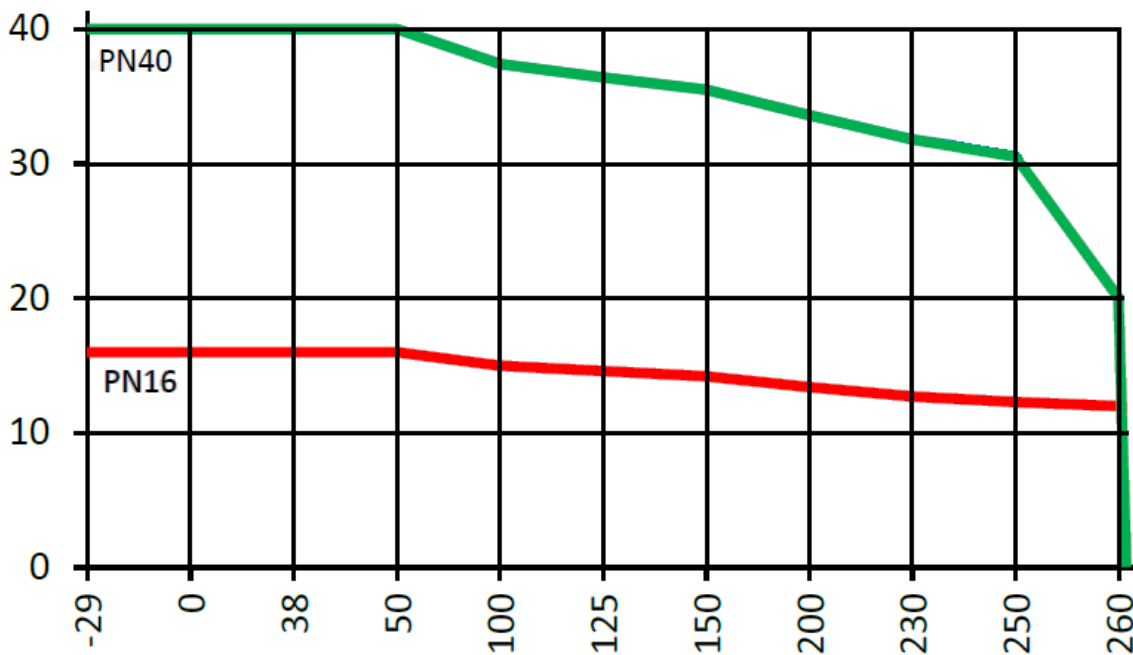
- Full bore
- Anti blow-out stem
- PTFE filled with 20% Graphite seat
- Locking device on request
- ISO 5211 mounting pad
- 2 pieces type (Split body)
- PN40 Flanges R.F. up to DN50, PN16 over
- Antistatic device
- Fire safe ISO 10497 : 2004, API 607 5th, BS 6755 Part.2 and API 6FA
- Fugitive emissions EN 15848-1 : 2006 and TA LUFT VDI 2440
- Graphite packing + FKM O ring on stem
- With exhaust hole in the ball (located in the top of the ball to avoid overpressure in it)
- Blue painting RAL 5009 color, 15-50µ thickness

USE :

- Chemical industries, petrochemical industries, hydraulic installation, heating, water distribution, compressed air
- Min and max Temperature Ts : -29°C to + 260°C
- Max Pressure Ps : 40 bars up to DN50, 16 bars over (see graph)
- Vacuum 10⁻² torr
- Compressed air (ambient temperature) : 40 bars maximum up to DN50, 16 bars over
- Steam : 14 bars maximum

PRESSURE / TEMPERATURE GRAPH (STEAM EXCLUDED) :

Pressure (Bar)



Temperature (°C)

**2 PIECES CARBON STEEL BALL VALVE PN16/40 FLANGED JC RANGE LONG PATTERN
(DIN 3202-1 F1) PTFE FILLED WITH GRAPHITE SEAT**

FLOW COEFFICIENT Kvs (in m³/h) :

DN	15	20	25	32	40	50	65	80	100	125	150	200
Kvs (m ³ / h)	20	40	75	130	170	270	550	1000	1650	3000	4200	9000

TORQUES VALUES (in Nm without safety coefficient) :

DN	BTO*	RTO	ETO	BTC	RTC	ETC*	MAST Stem A479 F316	MAST Stem A182 F51	Ps (bars)
15	13	7	8	10	7	10	26	57	40
20	17	9	10	13	9	14	26	57	40
25	23	12	14	17	12	18	26	57	40
32	30	15	18	23	15	24	69	151	40
40	46	23	28	35	23	37	85	185	40
50	75	38	45	56	38	60	85	185	40
65	94	47	56	71	47	75	176	386	16
80	166	83	100	125	83	133	246	539	16
100	173	87	104	130	87	138	305	668	16
125	360	180	216	270	180	288	607	1329	16
150	430	215	258	323	215	344	974	2131	16
200	842	421	505	632	421	674	1387	3034	16

RANGE :

- Carbon steel body ball valve with handle flanged PN40 **Ref. 340AICG** from DN 15 to DN 50
- Carbon steel body ball valve with handle flanged PN16 **Ref. 316AICG** from DN 65 to DN 150
- Carbon steel body ball valve with free stem PN16 **Ref. 316AICG** DN200

CONNECTION :

- PN40 Flanges R.F. up to DN50, PN16 over

**2 PIECES CARBON STEEL BALL VALVE PN16/40 FLANGED JC RANGE LONG PATTERN
(DIN 3202-1 F1) PTFE FILLED WITH GRAPHITE SEAT**

ACCESSORIES :



- Reinforced locking device

DN	15	20	25	32	40	50	65	80	100	125	150	200
Ref.	9830120		9830121	9830122	9830123		9830124	9830125	9830126	9830127	9830128	9830129



- Stainless steel handle

DN	15	20	25	32	40	50	65	80	100	125	150
Ref.	9830513			9830514	9830515		9830516	9830517	9830518	9830519	9830520



- Stainless steel oval handwheel

DN	15	20	25	32	40	50
Ref.	9830575	9830578		9830576	9830577	



- Gearbox

DN	125	150	200
Ref.316	9830598	9830592	9830593
Ref.340			983595



- Single stainless steel stem extension 100 mm

DN	15	20	25	32	40	50	65	80	100	125	150
Ref. JC	9810615			9810616	9810617	9810618	9810619	9810620	9810621	9810622	

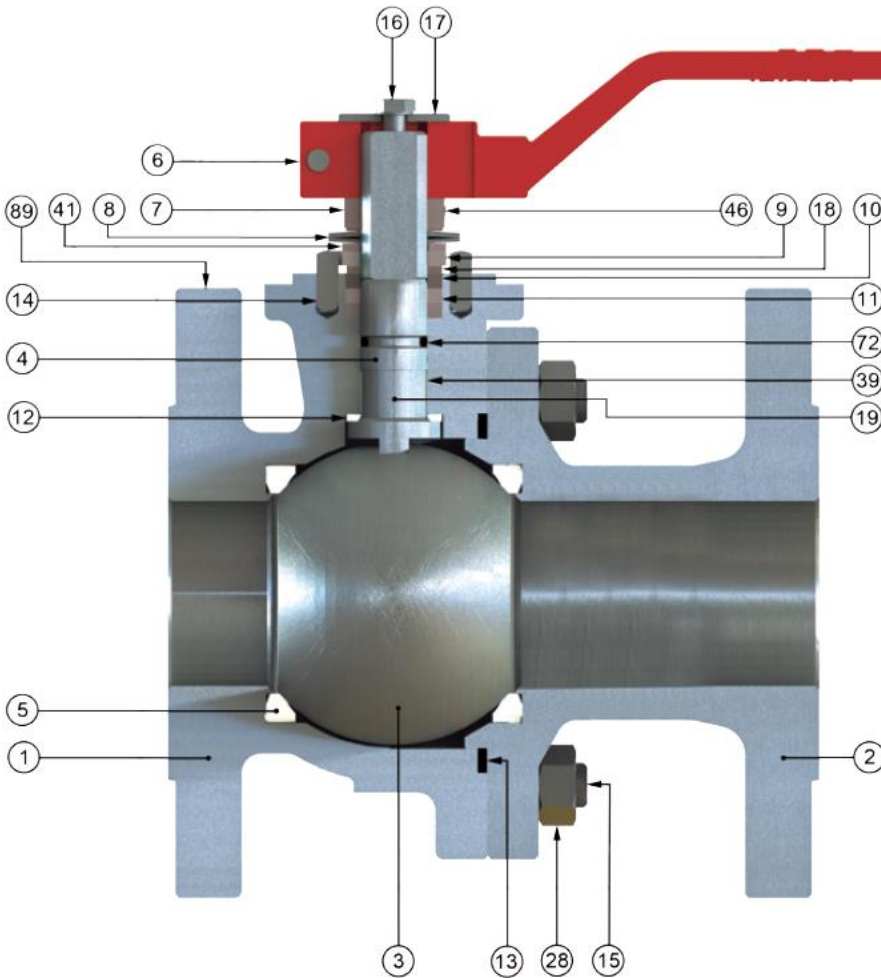


- Stainless steel stem extension 100 mm with ISO plate

DN	15	20	25	32	40	50	65	80	100	125	150	200
Ref. SF	JCRISO015020	JCRISO025	JCRISO032	JCRISO040050	JCRISO065	JCRISO080	JCRISO100	JCVSSBI125	JCVSSBI150	JCVSSBI200		

**2 PIECES CARBON STEEL BALL VALVE PN16/40 FLANGED JC RANGE LONG PATTERN
(DIN 3202-1 F1) PTFE FILLED WITH GRAPHITE SEAT**

VALVE MATERIALS :



Repairability :



*Gaskets kit (Item 5,11, 12, 13, 18, 46 and 72)	
DN15	9804660
DN20	9804661
DN25	9804662
DN32	9804663
DN40	9804664
DN50	9804665
DN65	9804666
DN80	9804667
DN100	9804668
DN125	9804669
DN150	9804670
DN200	9804671

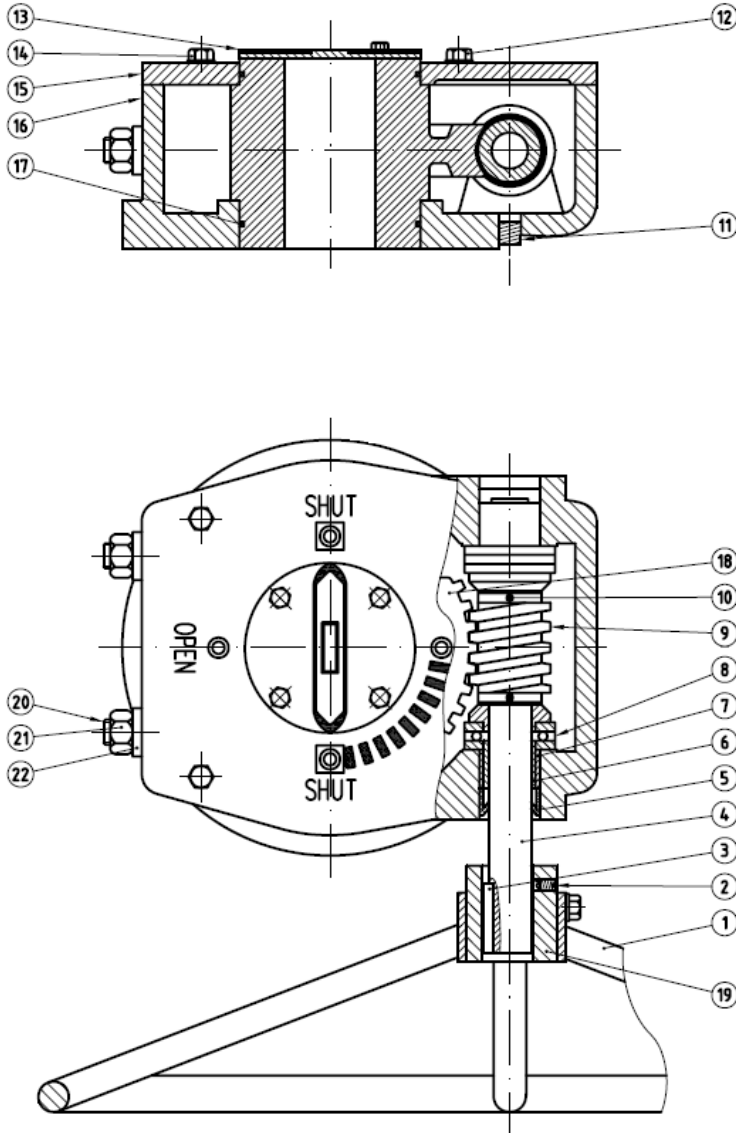
(* : Included in gaskets kit)

Item	Designation	Materials
1	Body	EN 1.0619
2	Ends	
3	Ball DN15-25	ASTM A479 Tp.316
	Ball DN 32-200	Inox ASTM A 351 CF8M
4	Stem	ASTM A479 Tp.316 or Duplex ASTM A182 F51
5*	Seat	PTFE filled with 20% graphite
6	Handle	Carbon steel A216 WCB
7	Packing nut	Steel
8	Elastic ring	Steel
9	Stop washer	Steel
10	Packing gland	AISI 303
11*	Packing	Graphite
12*	Gasket	PTFE filled with 25% glass

Item	Designation	Materials
13*	Body spiral seat	AISI 316L + PTFE + Graphite
14	Pin	Steel
15	Screw (stud DN32-100)	DIN 933 8.8 zinc dichrom.
16	Handle screw	DIN 933 A4-70
17	Washer	Zinc plated carbon steel
18*	Thrust washer	PTFE filled with 25% glass
19	Antistatic device	Stainless steel
28	Nut (DN32-100)	DIN 934 8.8 zinc dichrom.
39	Stem bushing (DN25-200)	PTFE filled with 25% glass
41	Spacer (DN40-200)	Steel
46*	Washer	AISI 304
72*	O ring	FKM
89	ID plate	Stainless steel

**2 PIECES CARBON STEEL BALL VALVE PN16/40 FLANGED JC RANGE LONG PATTERN
(DIN 3202-1 F1) PTFE FILLED WITH GRAPHITE SEAT**

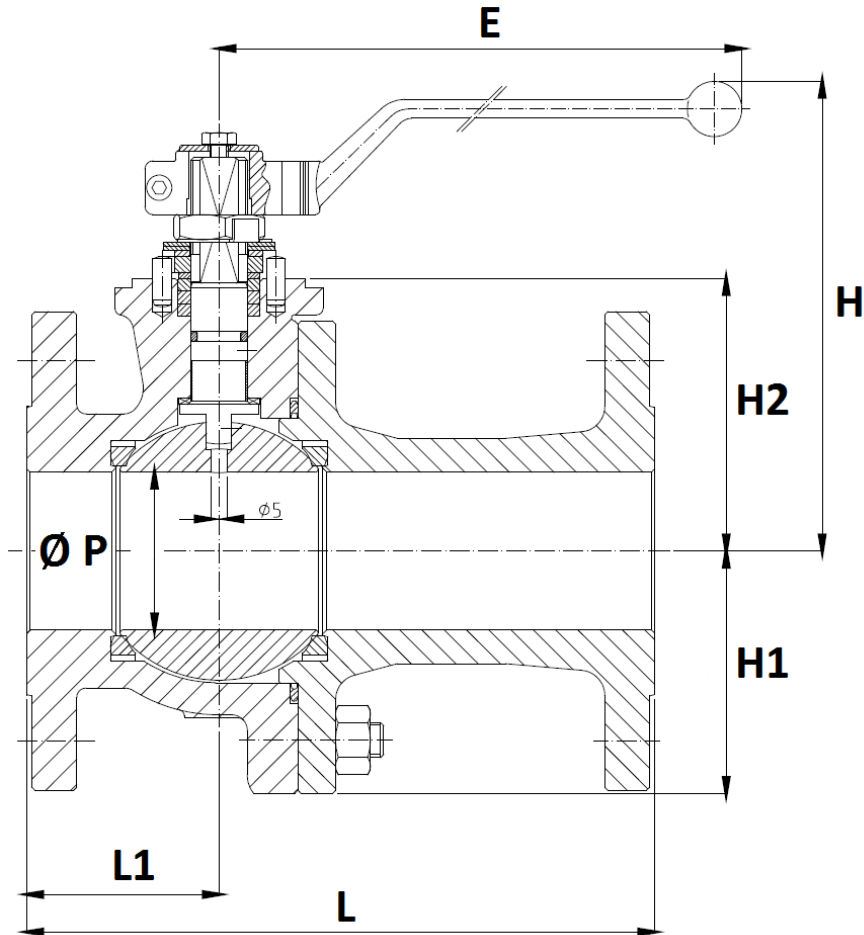
GEARBOX MATERIALS :



Item	Designation	Materials
1	Handwheel	Carbon steel
2	Screw	
3	Stem key	AISI 1045
4	Input shaft	
5	Oil seal	Rubber
6	Bearing	Cu Base Alloy
7	Oil bearing	
8	Thrust bearing	Carbon steel
9	Worm	AISI 1045
10	Pin	Carbon steel
11	Plug	
12	Screw	Cast iron
13	Indicator plate	
14	Screw	Cast iron
15	Cover	
16	Housing	Rubber
17	O ring	
18	Worm gear	Ductile iron
19	Nut	Carbon steel
20	Stop screw	
21	Nut	
22	Hex nut	
23-24	Spur gear cover+housing	Cast iron
25	Seal cover	Rubber
26-27-28	Screw+washer	Carbon steel
29	Gear	
30	Bearing	Cu Base Alloy
31	Bolt	Carbon steel
32	Slotted spring pin	
33	Spur gear	
34	Locator pins	

**2 PIECES CARBON STEEL BALL VALVE PN16/40 FLANGED JC RANGE LONG PATTERN
(DIN 3202-1 F1) PTFE FILLED WITH GRAPHITE SEAT**

VALVE SIZE (in mm) :

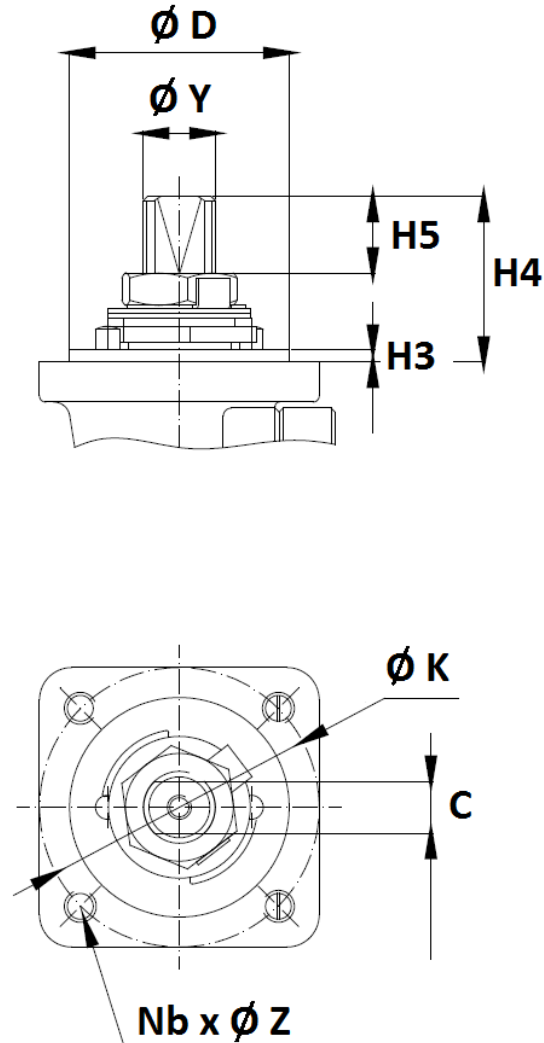


DN	15	20	25	32	40	50	65	80	100	125	150	200*
Ø P	15	20	25	32	40	50	65	80	100	125	151	203
L	130	150	160	180	200	230	290	310	350	400	480	600
L1	53	52	48.5	54	55	61	75.5	82	90.5	120	135	200
E	164	164	164	210	213	213	348	445	495	698	698	868
H	111	118	130	131	148	155	169	207	232	265	298	353
H1	-	-	-	-	-	-	-	-	118	138	160	208
H2	46	53	58	66.5	76	83.5	97	111	133	156	183	233
Weig. (Kg)	3	3.8	5.2	7.6	9.6	12.9	18.3	24	36	58	81	-
Ref.	340AICG 015	340AICG 020	340AICG 025	340AICG 032	340AICG 040	340AICG 050	316AICG 065	316AICG 080	316AICG 100	316AICG 125	316AICG 150	316AICG 200

* Handle on request for DN200 (free stem in standard)

**2 PIECES CARBON STEEL BALL VALVE PN16/40 FLANGED JC RANGE LONG PATTERN
(DIN 3202-1 F1) PTFE FILLED WITH GRAPHITE SEAT**

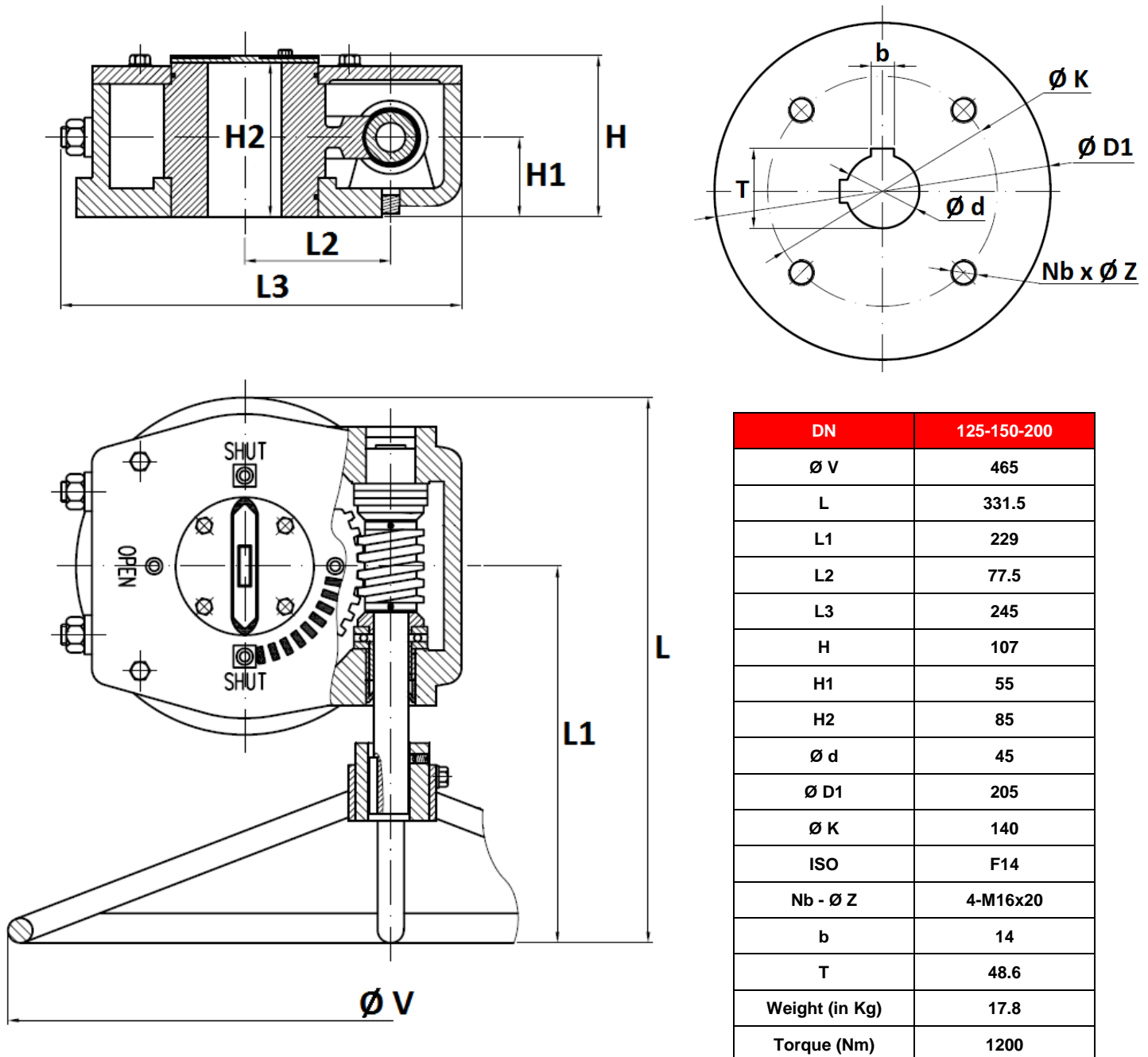
ISO MOUNTING PAD AND STEM SIZE (in mm) :



DN	15	20	25	32	40	50	65	80	100	125	150	200	
H3	1.5				3								4
H4	11.2	14.7	22.7	32	41.5	41.5	44	44.5	56.5	56	68	72	
H5	5	8.5	9.5	13	18.3	18.3	18.6	18.6	27.8	24.7	37.1	36.5	
C	9	9	9	12	13	13	16	18	20	25	29	32	
Ø Y	M12x1.5			M16x1.5	M18x1.5		M22x1.5	M25x1.5	M28x1.5	M35x2	M40x2	M45x2	
Ø D	35				55			70		85		100	
Ø K	50	50	50	50	70	70	70	102	102	125	125	140	
ISO	F05	F05	F05	F05	F07	F07	F07	F10	F10	F12	F12	F14	
N x Ø Z	4 x M6	4 x M6	4 x M6	4 x M6	4 x M8	4 x M8	4 x M8	4 x M10	4 x M10	4 x M12	4 x M12	4 x M16	

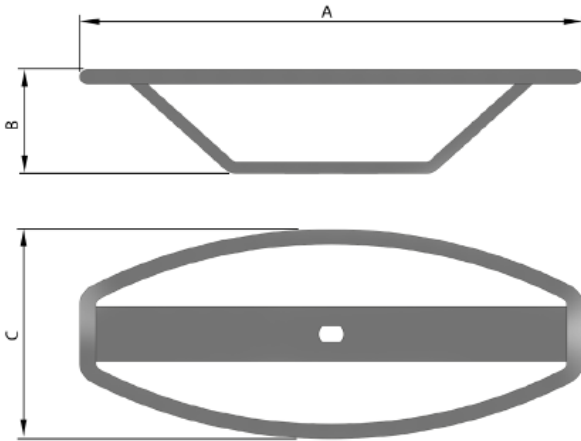
**2 PIECES CARBON STEEL BALL VALVE PN16/40 FLANGED JC RANGE LONG PATTERN
(DIN 3202-1 F1) PTFE FILLED WITH GRAPHITE SEAT**

GEARBOX SIZE DN125-200 (in mm) :



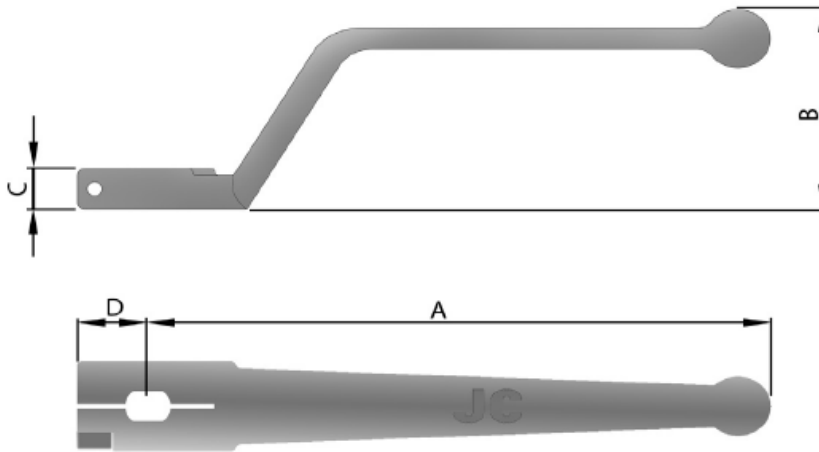
**2 PIECES CARBON STEEL BALL VALVE PN16/40 FLANGED JC RANGE LONG PATTERN
(DIN 3202-1 F1) PTFE FILLED WITH GRAPHITE SEAT**

OVAL HANDWHEEL SIZE DN15-50 (in mm) :



DN	15	20	25	32	40	50
A	160	160	160	200	216	216
B	54	54	54	56	57	57
C	75	75	75	90	100	100
Weight (Kg)	0.25	0.25	0.25	0.5	0.55	0.55
Ref.	9830575	9830578		9830576	9830577	

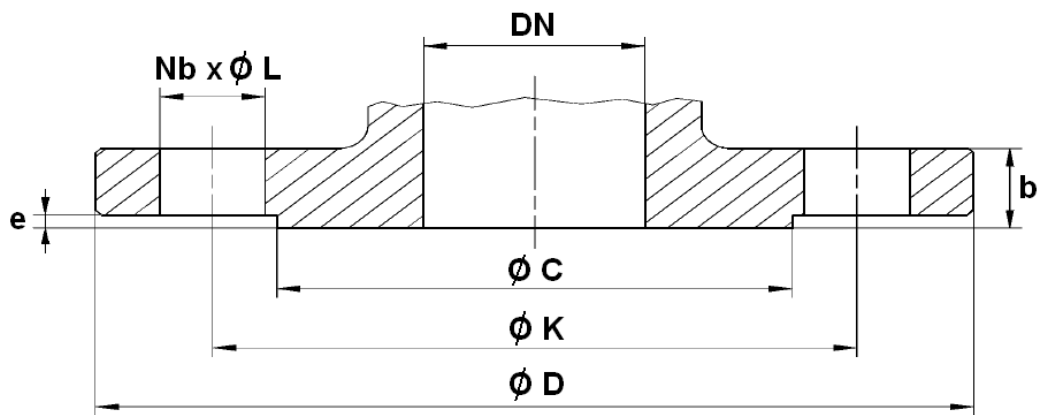
STAINLESS STEEL HANDLE SIZE DN15-200 (in mm) :



DN	15	20	25	32	40	50	65	80	100	125	150	200
A	163.5		300		212.5		347.5	445	495	697.5		867.5
B	58.5		45		48.5		46.5	70	70	77.5	84.5	84.5
C	12		16		21		20		29	30	40	
D	18.5		22		25.5			33		47		55
Weight (Kg)	0.2		0.3		0.53		0.63	1.52	1.85	2.95	3.4	4.6
Ref.	9830513		9830514		9830515		9830516	9830517	9830518	9830519	9830520	

**2 PIECES CARBON STEEL BALL VALVE PN16/40 FLANGED JC RANGE LONG PATTERN
(DIN 3202-1 F1) PTFE FILLED WITH GRAPHITE SEAT**

FLANGES SIZE (in mm) :



DN	15	20	25	32	40	50	65	80	100	125	150	200
Ø C	45	58	68	78	88	102	122	138	158	188	212	268
Ø D	95	105	115	140	150	165	185	200	220	250	285	340
Ø K	65	75	85	100	110	125	145	160	180	210	240	295
Nb x Ø L	4 x 14	4 x 14	4 x 14	4 x 18	4 x 18	4 x 18	4 x 18	8 x 18	8 x 18	8 x 18	8 x 22	12 x 22
b	16	18	18	18	18	20	18	20	20	22	22	24
e	2	2	2	2	3	3	3	3	3	3	3	3

**2 PIECES CARBON STEEL BALL VALVE PN16/40 FLANGED JC RANGE LONG PATTERN
(DIN 3202-1 F1) PTFE FILLED WITH GRAPHITE SEAT**

STANDARDS :

- Manufacturer certified ISO 9001:2015 and ISO 14001 : 2015
- DIRECTIVE 2014/68/EU: For liquids or Gas of Group 1
 - DN15-25: Article 4, §3 (SEP), no CE marking
 - DN32: Risk category I, CE marking
 - DN40-50: Risk category II, CE 0056 marking
 - DN65-80: Risk category I, CE marking
 - DN100-200: Risk category II, CE 0056 marking
- Certificate 3.1 on request
- Valve designing according to EN 1983 – ISO 17292 and EN 12516
- Materials according to NACE MR 01-75
- Pressure Tests according to EN 12266-1, Rate A
- Marking according to EN 19
- Fire safe according to ISO 10497 : 2004, API 607 5th, BS6755 Part 2, and API 6FA 1994
- Fugitive Emissions according to EN 15848-1 : 2006 B Class and TA LUFT VDI 2440
- SIL2 according to IEC/EN 61508, SIL 3 possible according to the type of installation
- Flanges R.F. type B1 according to EN 1092-1 PN16/40
- Shell finishing quality : MSS SP 55
- ISO 5211 mounting pad
- Length according to EN 558 series 1 (long pattern DIN 3202-1 F1)
- ATEX Group II Category 2 G/2Dc Zone 1 & 21 Zone 2 & 22 (optional marking) up to DN200 according to directive 2014/34/EU
- Russian certificate TRCU 10, TRCU 12 and TRCU 32 (EAC marking and declaration **on request**)

ADVICE : Our opinion and our advice are not guaranteed and SFERACO shall not be liable for the consequences of damages.
The customer must check the right choice of the products with the real service conditions.