



The Coating Experts

GB

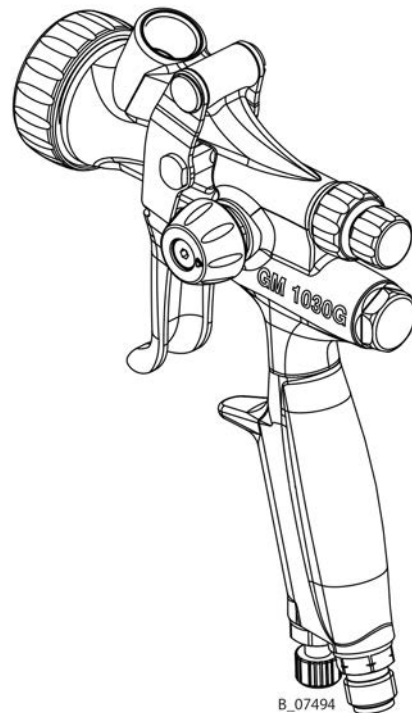
Translation of the Original Operating Manual

For professional use.
Always observe the information in this manual,
particularly the safety instructions and the warning
instructions. Store the manual in a safe place.

Edition 11/2022

PILOT GM 1030G
PILOT GM 1030G ADH

Gravity-feed cup spray gun



CE Ex II 2G X

B_07494



Table of Contents

1	ABOUT THESE INSTRUCTIONS	5
1.1	Preface	5
1.2	Warnings, Notices and Symbols in these Instructions	5
1.3	Languages	5
1.4	Abbreviations	6
1.5	Terminology for the Purpose of this Manual	6
2	CORRECT USE	6
2.1	Device type	7
2.2	Type of Use	7
2.3	For Use in Potentially Explosive Areas	7
2.4	Processible Working Materials	7
2.5	Misuse	7
3	IDENTIFICATION	8
3.1	Explosion Protection Identification	8
3.2	Identification "X"	8
3.3	Type Plate	9
4	BASIC SAFETY INSTRUCTIONS	10
4.1	Safety Instructions for the Operator	10
4.2	A Safe Work Environment	10
4.3	Personnel Qualifications	11
4.4	Safety Instructions for the Personnel	11
4.5	Personal Safety Equipment	11
4.6	Safe handling of WALTHER spray devices	11
4.7	Grounding the Device	12
4.8	Cleaning and Flushing	12
4.9	Maintenance and Repair	13
4.10	Protective and Monitoring Equipment	13
5	DESCRIPTION	14
5.1	Components	14
5.2	Functioning	14
5.3	Standard equipment	15
5.4	Data	15
5.4.1	Materials of Paint Wetted Parts	15
5.4.2	Technical data	15
5.4.3	Dimensions and Connections	15
5.4.4	Air flow	16
6	ASSEMBLY AND COMMISSIONING	17
6.1	Training of Assembly/Commissioning Personnel	17
6.2	Storage Conditions	17
6.3	Installation Conditions	17
6.4	Installation and Connection	17
6.4.1	Ventilation of the Spray Booth	17
6.4.2	Air Supply Lines	17
6.4.3	Product Supply Lines	18
6.5	Grounding	18

OPERATING MANUAL

6.6	Safety Checks	18
6.7	Product Preparation	18
6.8	Start up	19
6.8.1	Procedure	19
6.8.2	Verifying a Safe Operational Condition	19
7	OPERATION	20
7.1	Training the Operating Personnel	20
7.2	Tasks	20
7.2.1	Starting to Spray with Atomizing Air	20
7.3	Adjusting the Spray Pattern	21
7.3.1	Adjusting Spray Pattern	21
7.3.2	Setting the Product Flow Rate	22
7.4	Pressure Relief / Work Interruption	22
7.5	Cleaning the Nozzle and Eliminating Nozzle Clogging	23
8	CLEANING AND MAINTENANCE	24
8.1	Cleaning	24
8.1.1	Safety instructions	24
8.1.2	Cleaning Personnel	24
8.1.3	Flushing and Cleaning the Spray Gun	24
8.2	Maintenance	24
8.2.1	Maintenance Personnel	24
8.2.2	Safety instructions	25
8.2.3	Safety Checks and Maintenance Intervals	25
8.2.4	Replacing the Air Hose	26
9	TROUBLESHOOTING AND RECTIFICATION	27
10	REPAIR WORK	28
10.1	Repair Personnel	28
10.2	Repair Notes	28
10.3	Tools	28
10.4	Replacing the Needle Packing	29
10.5	Changing the Air Valve	30
10.6	Changing Shaping Air Regulator	30
10.7	Tightening Nozzle Nut	31
10.8	Replacing Nozzle or Needle	32
11	FUNCTION TEST	33
12	DISPOSAL	34
13	ACCESSORIES	35
13.1	Air caps	35
13.2	Nozzles and Needles	36
13.3	Additional accessories	37
14	SPARE PARTS	38
14.1	How to Order Spare Parts	38
14.2	Gun variants	39
14.3	Exploded-view Drawing of PILOT GM 1030G	40
14.4	Spare parts list	41
15	EU DECLARATION OF CONFORMITY	42



1 ABOUT THESE INSTRUCTIONS

1.1 PREFACE

The operating manual contains information about safely operating, maintaining, cleaning and repairing the device. The operating manual is part of the device and must be available to the operating and service personnel.

The device may only be operated by trained personnel and in compliance with this operating manual. Operating and service personnel should be instructed according to the safety instructions.

This equipment can be dangerous if it is not operated according to the instructions in this operating manual.

1.2 WARNINGS, NOTICES AND SYMBOLS IN THESE INSTRUCTIONS

Warning instructions in this manual highlight particular dangers to users and to the device and state measures for avoiding the hazard. These warning instructions fall into the following categories:

	DANGER	Immediate risk of danger. Non-observance will result in death or serious injury.
	WARNING	Potential danger. Non-observance may result in death or serious injury.
	CAUTION	Potentially dangerous situation. Non-observance may result in minor injury.
	NOTICE	Potentially dangerous situation. Non-observance may result in damage to property.
	INFO	Provides information about particular characteristics and how to proceed.

Explanation of warning notice:

	LEVEL OF DANGER
This notice warns you of a danger!	
Possible consequences of not observing the warning notice.	
→ Measures for preventing the hazard and its consequences.	



1.3 LANGUAGES

The operating manual is available in the following languages:

Original operating manual

Language	Order no.
German	2428308

Translation of the original operating manual

Language	Order no.	Language	Order no.
English	2428311	Spanish	2428315
French	2428312	Polish	2444827
Italian	2428313	Chinese	2428318

Additional languages on request or at: www.walther-pilot.de

OPERATING MANUAL

**1.4 ABBREVIATIONS**

Order no.	Order number	SW	Wrench size
ET	Spare part	LV	for low-viscosity (LV) products
K	Marking in the spare parts lists	HV	for high-viscosity (HV) products
Pos	Position	LA	Low air
Stk	Number of pieces	GM	Manual gun
ADH	Adhesive		

1.5 TERMINOLOGY FOR THE PURPOSE OF THIS MANUAL

Cleaning	
Cleaning	Manual cleaning of devices and device parts with cleaning agent.
Flushing	Internal flushing of paint-wetted parts with flushing agent.
Product pressure generator	Pump or pressure tank.
Personnel qualifications	
Trained person	Is instructed in the tasks assigned to him/her, the potential risks associated with improper behavior as well as the necessary protective devices and measures.
Electrically trained person	Is instructed by an electrician about the tasks assigned to him/her, the potential risks associated with improper behavior as well as the necessary protective devices and measures.
Electrician	Can assess the work assigned to him/her and detect possible hazards based on his/her technical training, knowledge and experience in relevant provisions.
Skilled person in accordance with TRBS 1203 (2010/Revision 2012)	A person who, based on his/her technical training, experience and recent vocational experience, has sufficient technical knowledge in the areas of explosion protection, protection from pressure hazards and electric hazards (if applicable) and is familiar with the relevant and generally accepted rules of technology so that he/she can inspect and assess the status of devices and coating systems based on workplace safety.



2 CORRECT USE

2.1 DEVICE TYPE

Manual gun for manually coating work pieces.

PILOT GM 1030G

2.2 TYPE OF USE

The spray gun is suitable for atomizing liquid products, particularly coating products, using the atomizing air process:

- Non-ignitable products.
- Ignitable products.

WALTHER expressly excludes any other use!

The device may only be operated under the following conditions:

- Do not deactivate safety fixtures.
- Use only WALTHER original spare parts and accessories.
- The operating personnel must be trained on the basis of this operating manual.

- Follow the instructions in the operating manual.

2.3 FOR USE IN POTENTIALLY EXPLOSIVE AREAS

As defined in Directive 2014/34/EU (ATEX), the device is suitable for use in potentially explosive areas (see 3.1).



2.4 PROCESSIBLE WORKING MATERIALS

Lacquers and paints, greases, oils and corrosion inhibitor, adhesive, ceramic glazes, stains. If you want to spray working materials other than the aforementioned, contact a WALTER Spritz- and Lackiersysteme representative.

Info

Contact your local WALTHER Spritz- and Lackiersysteme dealer and the product manufacturer if you encounter application problems.



2.5 MISUSE

Misuse can lead to physical injury and/or property damage! Special attention must be paid that:

- No dry coating products, e.g., powder are processed.



3 IDENTIFICATION

3.1 EXPLOSION PROTECTION IDENTIFICATION

As defined in the Directive 2014/34/EU (ATEX), the device is suitable for use in potentially explosive areas.

Device type: Manual spray gun PILOT GM 1030G
 Manufacturer: WALTHER Spritz- und Lackiersysteme GmbH,
 Kärntner Str. 18-30
 D-42327 Wuppertal



  II 2G X

CE European Communities
 Ex Symbol for explosion protection
 II Device class II
 2 Category 2 (zone 1)
 G Ex-atmosphere gas
 X Special notice



3.2 IDENTIFICATION "X"

The maximum surface temperature corresponds to the permissible product temperature. This and the permissible ambient temperature can be found in Chapter [5.4.2](#).

Safe handling of WALTHER spray devices

Mechanical sparks can form if the device comes into contact with metal.
 In an explosive atmosphere:

- knocking or pushing metal against metal is to be avoided;
- Do not drop the device.

Ignition temperature of the coating product

- Ensure that the ignition temperature of the coating product is above the maximum surface temperature.

Medium supporting atomizing

- To atomize the product, use only weakly oxidizing gases, e.g., air.

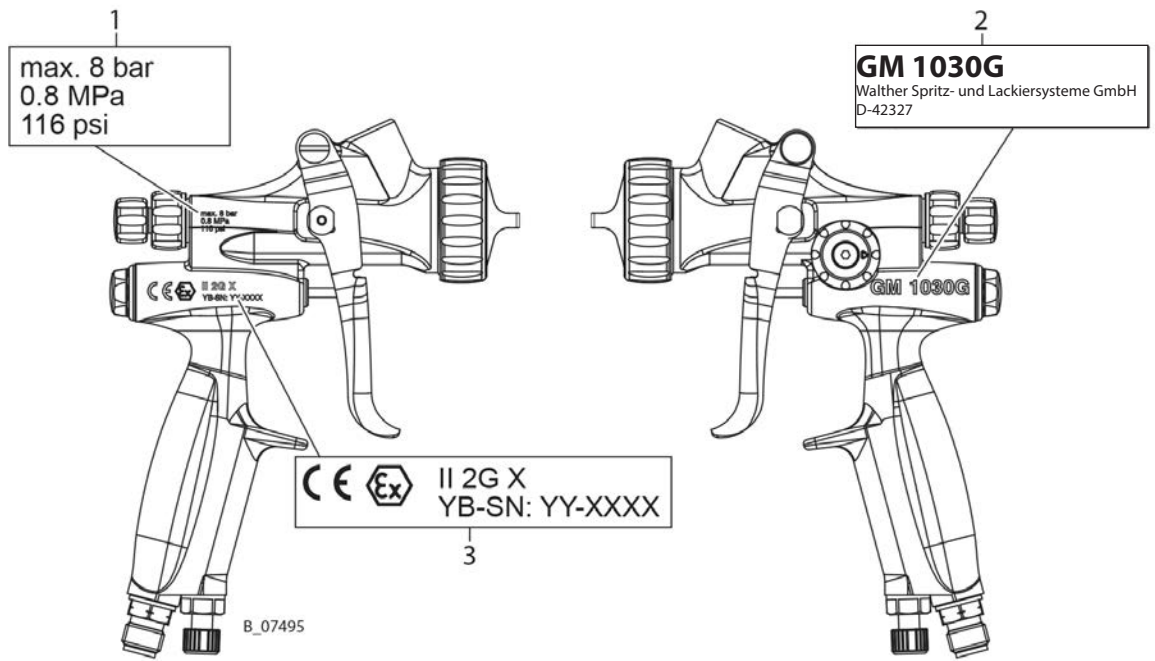
Cleaning

If there are deposits on the surfaces, the device may form electrostatic charges. Flames or sparks can form during discharge.

- Remove deposits from the surfaces to maintain conductivity.
- Use only a damp cloth to clean the device.



3.3 TYPE PLATE



Pos	Designation
1	Maximum air inlet pressure
2	Spray gun model and manufacturer
3	Explosion protection identification and year of manufacture serial number (YB-SN)



4 BASIC SAFETY INSTRUCTIONS

4.1 SAFETY INSTRUCTIONS FOR THE OPERATOR

- Keep this operating manual at hand near the device at all times.
- Always follow local regulations concerning occupational safety and accident prevention regulations.



4.2 A SAFE WORK ENVIRONMENT

Danger due to dangerous fluids or vapors!

Severe or fatal injuries due to explosion danger or inhalation, swallowing or contact with the skin or eyes.

- Ensure that the floor in the working area is static dissipative in accordance with EN 61340-4-1 (resistance must not exceed 100 MΩ).
- Paint mist extraction systems/ventilation systems must be fitted on site according to local regulations.
- Make sure that the ground connection and potential equalization of all system parts are reliable and continuous and can withstand the expected stress (e.g., mechanical stress, corrosion).
- Ensure that product hoses/air hoses adapted to the working pressure are used.
- Ensure that personal protective equipment (see Chapter [4.55](#)) is available and is used.
- Make sure that all people within the work area wear static dissipative shoes. The footwear must comply with EN ISO 20344. The measured insulation resistance must not exceed 100 MΩ.
- Ensure that during spraying, persons wear static dissipative gloves. The grounding takes place via the spray gun's handle or its trigger.
- Protective clothing, including gloves, must comply with EN 1149-5. The measured insulation resistance must not exceed 100 MΩ.
- Ensure that there are no ignition sources such as naked flames, sparks, glowing wires, or hot surfaces in the vicinity. Do not smoke.
- Ensure that the pipe joints, hoses, equipment parts and connections are permanently, technically leak-proof:
 - Periodic preventative maintenance and service (replacing hoses, checking tightness of connections, etc.).
 - Regular monitoring of leaks and defects via visual inspection and odor testing, e.g., daily before commissioning, at the end of work or weekly.
- Ensure that maintenance and safety checks are performed regularly.
- In the event of defects, immediately bring the device or system to a stop and arrange to have repairs carried out immediately.





4.3 PERSONNEL QUALIFICATIONS

Danger due to incorrect use of device!

Risk of death due to untrained personnel.

- Ensure that the operating personnel has been instructed by the operator in accordance with the operating manual and the operating instructions. The device must only be operated, maintained and repaired by trained personnel. Refer to the operating instructions for information about the required personnel qualifications.

4.4 SAFETY INSTRUCTIONS FOR THE PERSONNEL

- Always observe the information in this manual, particularly the safety instructions and the warning instructions.
- Always follow local regulations concerning occupational safety and accident prevention regulations.



4.5 PERSONAL SAFETY EQUIPMENT

Danger due to dangerous fluids or vapors!

Serious or fatal injuries due to inhalation, swallowing or contact with the skin or eyes.

- When preparing or working with product and when cleaning the device, follow the working instructions of the manufacturer of the products, solvents and cleaning agents being used.
- Take the specified protective measures. In particular, wear safety goggles, protective clothing and gloves, as well as hand protection cream if necessary.
- Use a mask or breathing apparatus if necessary.
- For sufficient health and environmental safety: Operate the device in a spray booth or on a spraying wall with the ventilation (extraction) switched on.
- Wear suitable protective clothing when working with hot products.



4.6 SAFE HANDLING OF WALTHER SPRAY DEVICES

Danger due to injection of products or flushing agent into the skin!

The spray jet is under pressure and can cause dangerous injuries. Avoid injection of product or flushing agent:

- Never point the spray gun at people.
- Never reach into the spray jet.
- Before any work on the device, in the event of work interruptions and malfunctions:
 - Switch off the energy/compressed air supply.
 - Relieve the pressure from the spray gun and device.
 - Secure the spray gun against actuation
 - Disconnect the control unit from the mains
 - In the event of functional faults, remedy the fault as described in chapter „9 Troubleshooting and Rectification“.
- If needed, the liquid ejection devices must be checked by experts (e.g., WALTHER service technician), but at least every 12 months for their work-safe condition in accordance with DGUV regulation 100-500 Chapter 2.29 and Chapter 2.36.
 - For shut down devices, the examination can be suspended until the next start-up.



In the event of skin injuries caused by products or flushing agents:

- Note the product or flushing agent that you have been using.
- Consult a doctor immediately.



4.7 GROUNDING THE DEVICE

Danger due to electrostatic charge!

Risk of injury, explosion hazard and damage to the device.

Friction, flowing liquids and air or electrostatic coating processes create charges. Flames or sparks can form during discharge.

Correct grounding of the entire spraying system prevents electrostatic charges.

- Ensure that all devices and tanks are grounded before each spraying process.
- Make sure that the ground and potential equalization of all system parts are performed reliably and continuously and can withstand the expected stress (e.g., mechanical stress, corrosion).
- Earth the workpieces being painted.
- Ensure that all persons inside the working area are grounded, e.g., that they are wearing static dissipative shoes.
- Wear static dissipative gloves when spraying. The grounding takes place via the spray gun's handle or its trigger.



4.8 CLEANING AND FLUSHING

Danger due to cleaning and flushing!

Explosion hazard and damage to the device.

- Preference should be given to non-ignitable cleaning and flushing agents.
- When carrying out cleaning work with flammable cleaning agents, make sure that all equipment and resources (e.g., collection tank, funnel, transport cart) are conductive or static dissipative and grounded.
- Observe the material manufacturer's specifications.
- Ensure that the flash point of the cleaning agent is at least 15 K above the ambient temperature or that cleaning is undertaken at a cleaning station with technical ventilation.
- Never use chloride or halogenated solvents (such as trichloroethane and methylene chloride) with devices containing aluminium or galvanized/zinc-plated parts. They may react chemically thus producing an explosion danger.
- Take occupational and safety measures.
- When commissioning or emptying the device, please note that:
 - depending upon the coating product used,
 - depending on the flushing agent (solvent) used,
 an explosive mixture may temporarily exist inside the lines and items of equipment.
- Only electrically conductive tanks may be used for cleaning and flushing agents.
- The tanks must be grounded.



An explosive gas/air mixture forms in closed tanks.

- Never spray into a closed tank when using solvents for flushing.



Exterior cleaning

When cleaning the exterior of the device or its parts, also observe the following:

- Relieve the pressure from the device.
- De-energize the device electrically.
- Disconnect the pneumatic supply line.
- Use only moistened cloths and brushes. Never use abrasive agents or hard objects and never spray cleaning agents with a gun. Cleaning the device must not damage it in any way.
- Ensure that no electric component is cleaned with or immersed into solvent.
- Which cleaning agent is used to clean the spray gun depends on which parts of the spray gun have to be cleaned and which product has to be removed.
 - When cleaning the spray gun, only use **non-polar cleaning agents** to prevent conductive residues on the surface of the spray gun.
 - Should it still be necessary to use a polar cleaning agent, all residues of this cleaning agent have to be removed by using a non-conductive and non-polar cleaning agent, once the cleaning is finished.

4.9 MAINTENANCE AND REPAIR

Danger due to improper maintenance and repair!

Danger to life and equipment damage.

- Only a WALTHER Spritz- und Lackiersysteme service center or a suitably trained person may carry out repairs and replace parts.
- Repair or replacement of devices or parts of devices are only allowed to be performed outside the hazard area by qualified personnel.
- Use only WALTHER original spare parts and accessories.
- Do not change or modify the device; if change is necessary, contact WALTHER.
- Only repair and replace parts that are listed in the accessories and spare parts chapter and that are assigned to the device.
- Do not use any defective components.
- Before all work on the device and in the event of work interruptions:
 - Relieve the pressure from the spray gun, product hoses and all devices.
 - Secure the spray gun against actuation.
 - Switch off the energy and compressed air supply.
- Observe the operating and service manual for all work.

4.10 PROTECTIVE AND MONITORING EQUIPMENT

Danger due to removal of protective and monitoring equipment!

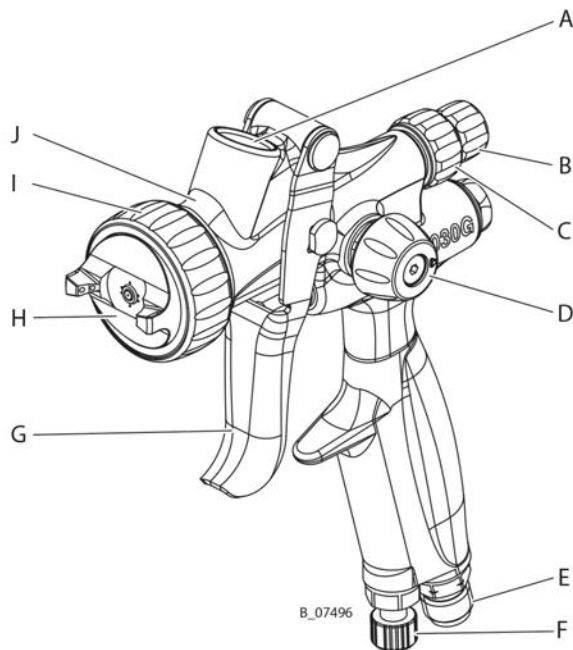
Danger to life and equipment damage.

- Protective and monitoring equipment must not be removed, modified or rendered unusable.
- Regularly check for perfect functioning.
- If defects are detected on protective and monitoring equipment, the system must not be operated until these defects are remedied.



5 DESCRIPTION

5.1 COMPONENTS



Pos	Designation
A	Cup receptacle
B	Needle stroke regulator
C	Needle stroke regulator lock
D	Shaping air adjustment
E	Air connection
F	Air regulation
G	Trigger
H	Nozzle / air cap
I	Air cap nut
J	Spray gun housing

5.2 FUNCTIONING

When pressing the trigger (G), first the atomizing air is released and then the material needle is retracted. In this way, the spray product moves through the nozzle (H) to the workpiece surface to be coated. The closing of the spray gun takes place in the reverse order. The product flow rate is dependent on the diameter of the nozzle (H) and the setting of the product pressure on the pressure vessel or product pressure regulator. With the shaping air adjustment (D) the spray pattern can be optimally adjusted to the object being sprayed. The flow rate can be regulated by rotating the needle stroke regulator (B) and this setting can be fixed using the needle stroke regulator lock (C). The air supply is regulated using the air regulator (F).



5.3 STANDARD EQUIPMENT

Stk	Designation
1	CE Declaration of Conformity
1	Operating manual, in German
1	Operating manual in local language, see chapter 1.3

For special versions the delivery note applies.

5.4 DATA

5.4.1 MATERIALS OF PAINT WETTED PARTS

Metals	Plastics
Stainless steel 1.4305	PE-UHMW

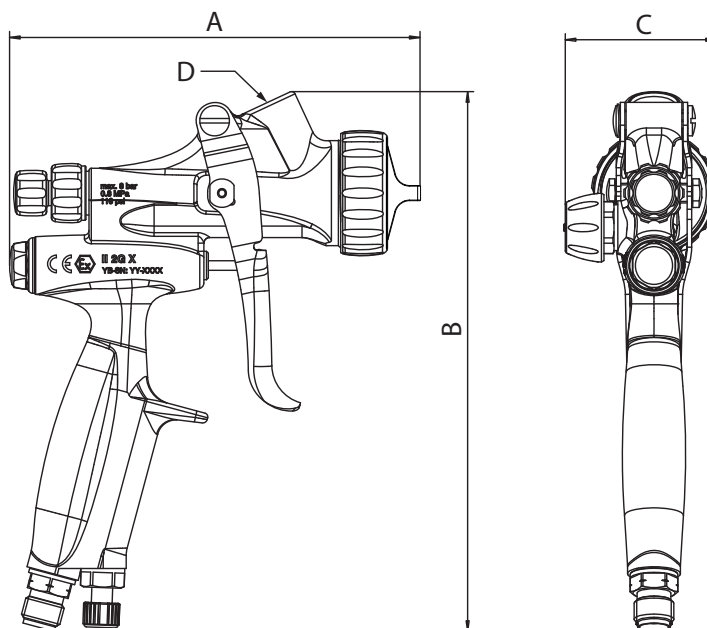
5.4.2 TECHNICAL DATA

Description	Units	Value
Maximum air inlet pressure	bar; MPa; psi	8; 0.8; 116 recommended: 2; 0.2; 29
Cup connection	mm	M16x1.5
Air connection	Inches	G1/4"
Weight	g; oz	419; 14.8
pH range of the product	pH	3.5–9.0
Maximum product temperature	°C; °F	40; 104
Operating temperature	°C; °F	5–40; 41–104
Sound level at 0.3 MPa; 3 bar; 43.5 psi air pressure and 0.3 MPa; 3 bar; 43.5 psi product pressure *	dB(A)	84.1

* A-rated sound pressure level measured at 1 m distance, LpA1m, in accordance with DIN EN 14462: 2005.

5.4.3 DIMENSIONS AND CONNECTIONS

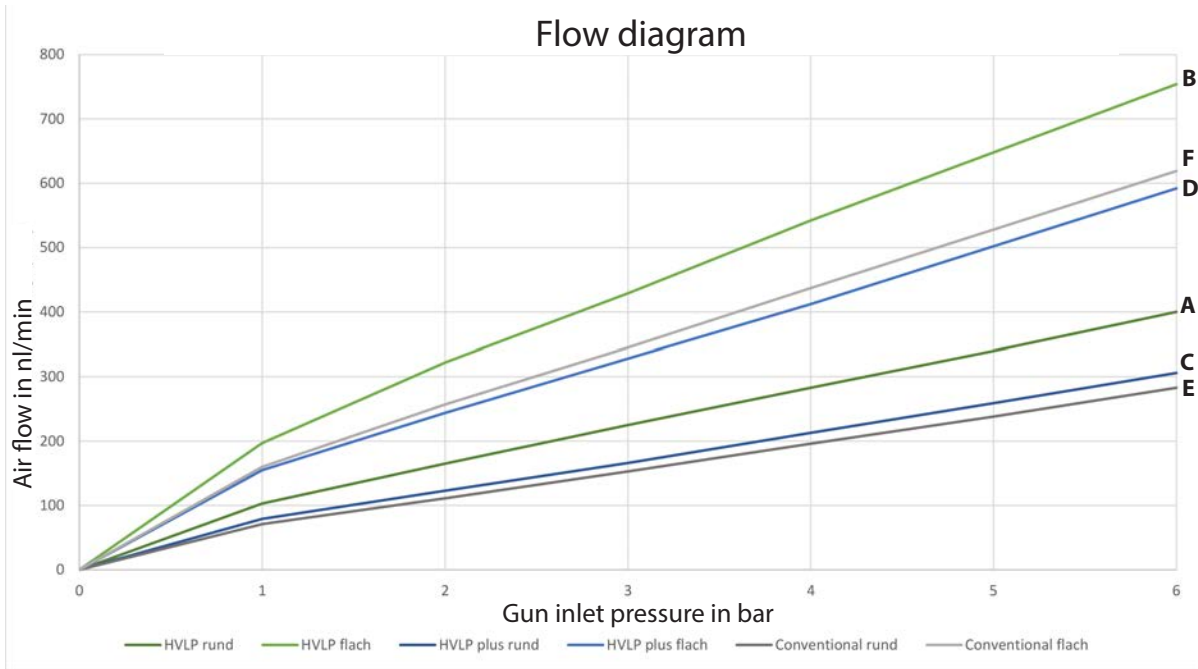
Dimensions	
Pos	mm; inch
A	130; 5.12
B	180; 7.09
C	50; 1.97
D	M16



B_07497



5.4.4 AIR FLOW



1 Air flow in nl/min		2 Gun inlet pressure in bar					
Inlet pressure (MPa;bar; psi)		0,1; 1; 14.5	0,2; 2; 29.0	0,3; 3; 43.5	0,4; 4; 58.0	0,5; 5; 72.5	0,6; 6; 87.0
HVLP, round	A	103	165	225	283	340	400
HVLP, flat	B	197	322	429	542	648	754
HVLP+, round	C	79	123	166	213	259	306
HVLP+, flat	D	155	244	328	412	502	592
Conventional, round	E	71	111	153	196	238	283
Conventional, flat	F	160	257	345	437	528	619

Information on air flow in nl/min with an inlet pressure between 0.1; 1; 14.5 and 0.6; 6; 87.0 (MPa;bar; psi).



6 ASSEMBLY AND COMMISSIONING

6.1 TRAINING OF ASSEMBLY/COMMISSIONING PERSONNEL

- The assembly and commissioning personnel must have the technical skills to safely commission the device.
- When assembling, commissioning and carrying out all work, read and follow the operating manuals and safety regulations for the additionally required system components.

A skilled person must check to ensure that the device is in a reliable state after it is assembled and commissioned.

6.2 STORAGE CONDITIONS

Until the point of assembly, the device must be stored in a dry location, free from vibrations and with a minimum of dust. The device must be stored in closed rooms.

The air temperature at the storage location must be between -20 °C and 60 °C (-4 °F and 140 °F).

The relative air humidity at the storage location must be between 10 and 95% (without condensation).

6.3 INSTALLATION CONDITIONS

The air temperature at the installation site must be in a range between 4 °C and 40 °C (39 °F and 104 °F).

The relative air humidity at the installation site must be between 10 and 95% (without condensation).

6.4 INSTALLATION AND CONNECTION

The PILOT manual gun GM 1030G must be combined with various components to make up a spraying system. Your WALTHER distributor would be happy to assist you in creating a spraying system solution that meets your individual needs.

You must familiarize yourself with the operating manuals and the safety regulations of all additional system components before starting commissioning.

6.4.1 VENTILATION OF THE SPRAY BOOTH

- Operate the unit in a spraying booth approved for the working materials.
Or
- Operate the unit on an appropriate spraying wall with the ventilation (extraction) switched on.
- Observe national and local regulations for the outgoing air speed.

6.4.2 AIR SUPPLY LINES

Ensure that only dry, clean atomizing air is used in the spray gun! Dirt and moisture in the atomizing air worsens the spraying quality and spray pattern.

**⚠ WARNING****Hose connections!**

Risk of injury and damage to the device.

- Do not mix up hose connections of product hose and air hose.

**6.4.3 PRODUCT SUPPLY LINES****ⓘ NOTICE****Impurities in the spraying system!**

Spray gun blockage, products harden in the spraying system.

- Flush the spray gun and product supply with a suitable flushing agent before commissioning.

6.5 GROUNDING**⚠ WARNING****Heavy paint mist if earthing is insufficient!**

Danger of poisoning.

Insufficient paint application quality.

- Earth all unit components.
- Earth the workpieces being painted.



A conductive connection (potential equalization cable) must be established between original tank and the equipment.

6.6 SAFETY CHECKS

- Carry out safety checks in accordance with Chapter [8.2.3](#).

6.7 PRODUCT PREPARATION

The viscosity of the product is of great importance.

Please read the technical data sheet of the product for optimal processing, viscosity adjustment and intermixing of the product.



6.8 START UP

⚠ NOTICE

Impurities in the spraying system!

Spray gun blockage, products harden in the spraying system.

→ Flush the spray gun and product supply with a suitable flushing agent before commissioning.

6.8.1 PROCEDURE

1. Attach product tank to spray gun.
2. Fit air cap over nozzle.
3. Fit the air cap nut and tighten by hand.
Visually check the permissible pressures for all the system components.
4. Make sure that the device and all other conductive parts within the work area are grounded.
5. Connect air hose to spray gun and to oil-free, dry air supply.
6. Pull the trigger and check whether the spray gun closes correctly upon release.
7. Relieve the pressure from the spray gun and device.

6.8.2 VERIFYING A SAFE OPERATIONAL CONDITION

A skilled person must check to ensure that the device is in a reliable state after it is assembled and commissioned.

This includes:

- Safety checks according to Chapter [8.2.3](#).
- Function test, in accordance with Chapter [11](#), after repair work.





7 OPERATION

7.1 TRAINING THE OPERATING PERSONNEL

- The operating personnel must be qualified to operate the entire system.
- The operating staff must be familiar with the potential risks associated with improper behavior as well as the necessary protective devices and measures.
- Before work commences, the operating personnel must receive appropriate system training.

7.2 TASKS

Ensure that:

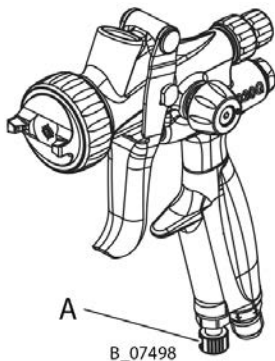
- the regular safety checks are carried out in accordance with Chapter [8.2.3](#);
- commissioning is carried out in accordance with Chapter [6.8](#).

7.2.1 STARTING TO SPRAY WITH ATOMIZING AIR

1. Set air pressure regulator to approx. 0.1 to 0.4 MPa; 1 to 4 bar; 14.5 to 58 psi.
2. Open air regulation (A) below on the gun.
3. Spray on a test object (pull trigger).
4. Adjust the product pressure and air pressure in accordance with the nozzle and object.
5. Use the shaping air controller on the spray gun to adjust the shaping air to atomizing air ratio, until the optimal spray pattern is achieved.

Note:

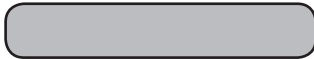
Repeat points 4 and 6 until the optimum spray pattern is reached (iterative process).





7.3 ADJUSTING THE SPRAY PATTERN

Desired spraying result



Rectifying defects in a spray pattern

spray pattern	Deviation	Required setting
	Spray pattern is too wide in the middle	– Set a wider spray shape
	Spray pattern is too wide on the ends	– Set a rounder spray shape
	Spray pattern has very coarse droplet distribution	– Increase the atomizing air pressure
	Material application is very thin in the middle of the spray pattern	– Reduce the atomizing air pressure
	The spray pattern is divided in the middle	– Increase the nozzle diameter – Reduce the atomizing air pressure – Increase the product pressure
	Spray patter is too round	– Reduce product pressure – Increase the atomizing air pressure

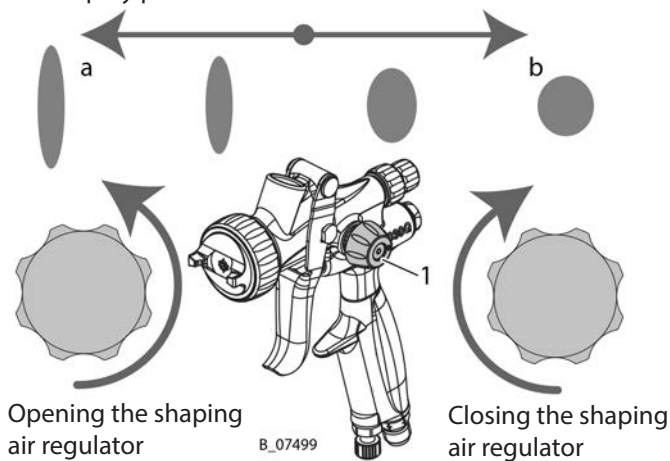
Note:

The flow rate can be changed by:

- changing the product pressure or limiting the needle stroke,
- Use of another nozzle (see Chapters [10.8](#) and [13.2](#)).

7.3.1 ADJUSTING SPRAY PATTERN

The spray pattern can be optimally adjusted to suit the object being sprayed using the shaping air regulator (1). The illustration shows the influence of the shaping air regulator (1) on the spray pattern.



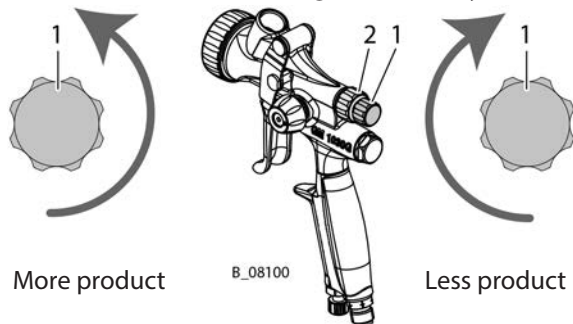


Pos	Description
a	If the shaping air regulator (1) is rotated counterclockwise, the spray pattern is widened and increasingly oval shaped.
b	If the shaping air regulator (1) is rotated clockwise, the spray pattern is narrowed and increasingly round.

7.3.2 SETTING THE PRODUCT FLOW RATE

The flow rate can be adjusted by screwing the needle stroke regulator (1) in or out. The flow rate is increased by rotating it in a counterclockwise direction and is decreased by rotating it in a clockwise direction. If the desired flow rate is reached, the needle stroke regulator (1) can be fixed using the lock (2), to prevent adjustments.

Note: the desired flow rate is primarily to be specified by selecting the corresponding nozzle. The needle stroke regulator (1) only serves to make fine adjustments.



7.4 PRESSURE RELIEF / WORK INTERRUPTION

The pressure must always be relieved:

- after the spraying tasks are finished,
- before servicing or repairing the spraying system,
- before carrying out cleaning tasks on the spraying system,
- before moving the spraying system to another location,
- before something must be checked on the spraying system,
- before the nozzle, needle or filter is removed on the spray gun.

The components for pressure relief on a CE-compliant spraying system include:

- Air valve with relief bore

Pressure relief procedure

1. Close spray gun.
2. Relieve the air pressure in the product pressure generator in accordance with the respective operating manual.
3. Point the spray gun into the grounded metal tank for return product.
4. Open spray gun to relieve the pressure. Avoid splashback.
5. When no further overpressure is detected, close the spray gun.
 - In the case of a clogged nozzle, proceed in accordance with Chapter [7.5](#).



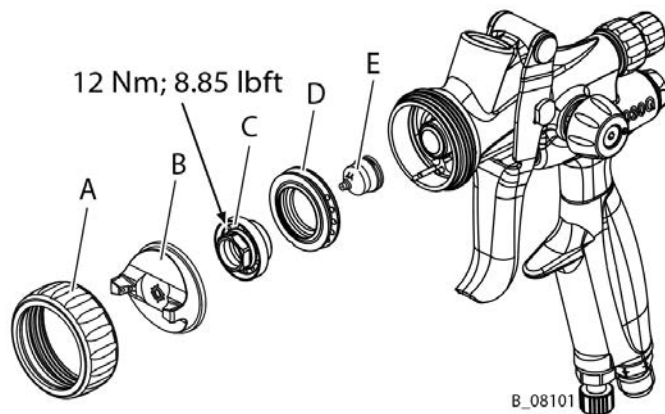
7.5 CLEANING THE NOZZLE AND ELIMINATING NOZZLE CLOGGING

! NOTICE

Defective nozzle!

Change nozzle in case of leaking.

→ Do not use sharp-edged objects on the nozzle.



Note: The nozzle and the needle are normally always changed at the same time! For more information, also see Chapter [10.8](#). Only loosen and tighten nozzle with the trigger pulled.

1. Relieve the pressure of the spray gun.
2. Unscrew air cap nut (A).
3. Remove air cap (B).
4. Unscrew nozzle nut (C) with a size 13 wrench, remove air deflector ring (D) and nozzle (E).
5. Treat nozzle nut (C) and nozzle (E) with cleaning agent until all the remaining product has been dissolved (in case of stubborn soiling, leave them in cleaning agent for a longer period of time).
6. Insert nozzle (E) in nozzle nut (C). Insert air control ring (D) in spray gun and mount nozzle nut (C) on spray gun with size 13 wrench and tighten it with 12 Nm, 8.85 lbft.
7. Fit air cap (B) on nozzle nut (C).
8. Fit the the air cap nut (A) and tighten by hand.



8 CLEANING AND MAINTENANCE

8.1 CLEANING

8.1.1 SAFETY INSTRUCTIONS

WARNING

Incompatibility of the solvent with the product used!

Risk of explosion and danger of poisoning by toxic gases.

- Examine the compatibility of the solvent when in contact with the used products on the basis of the safety data sheets.



8.1.2 CLEANING PERSONNEL

Cleaning work should be undertaken regularly and carefully by qualified and trained personnel. They should be informed of specific hazards during their training. The following hazards may arise during cleaning work:

- Health hazard from inhaling solvent vapors.
- use of unsuitable cleaning tools and aids.

8.1.3 FLUSHING AND CLEANING THE SPRAY GUN

The spray gun and the device must be cleaned and flushed daily. The cleaning/flushing agents used for cleaning or flushing must correspond with the working material.

1. Visual check: personal safety equipment, grounding and all devices ready to use.
2. Relieve the pressure of the spray gun according to Chapter [7.4](#).
3. Close air pressure regulator.
4. Dismount nozzle and clean separately (see Chapter [7.5](#)).
5. Point the spray gun into the grounded metal tank for return product.
6. Thoroughly rinse out the spray gun with flushing agent.
7. Relieve the pressure of the spray gun according to Chapter [7.4](#).
8. Clean the gun body with a cleaning agent recommended by the product manufacturer.
9. Switch on compressed air supply and open air pressure regulator.
10. Press the trigger of the spray gun and thoroughly blow out the air passages.
11. Close the compressed air supply.
12. Dry with a cloth.
13. Dispose of the contents of the tank for return product according to the local regulations.

8.2 MAINTENANCE

8.2.1 MAINTENANCE PERSONNEL

Maintenance work should be undertaken regularly and carefully by qualified and trained personnel. They should be informed of specific hazards during their training.

The following hazards may arise during maintenance work:

- risk to health from inhaling solvent vapors,
- use of unsuitable tools and aids.

A skilled person must ensure that the device is checked for being in a reliable state after maintenance work is completed.



8.2.2 SAFETY INSTRUCTIONS

DANGER

Improper Maintenance/Repair!

Danger to life and equipment damage.

- Only a WALTHER service center or a suitably trained person may carry out repairs and replace parts.
- Use only WALTHER original spare parts and accessories.
- Only repair and replace parts that are listed in the "Spare parts" chapter and that are assigned to the device.
- Before all work on the device and in the event of work interruptions:
 - Relieve the pressure from the spray gun, product hoses and all devices.
 - Secure the spray gun against actuation.
 - Switch off the energy and compressed air supply.
- Observe the operating and service manual for all work.



Prior to maintenance

- Flush and clean the system as described in Chapter [8.1.3](#).

After maintenance

1. Carry out a safety check as described in Chapter [8.2.3](#).
2. Put the system into operation and check for leaks as described in Chapter [6.8](#).
3. Perform function test as described in Chapter [11](#).
4. Have the system checked for safe condition by a skilled person.

8.2.3 SAFETY CHECKS AND MAINTENANCE INTERVALS

Every day

- Check grounding: see Chapter [6.5](#)
- Check hoses, tubes and couplings: see Chapter [8.2.4](#)
- Flush and clean the spray gun as described in Chapter [8.1.3](#).

Weekly

- Check spray guns for damage.

Yearly or as required

- In accordance with DGUV regulation 100-500, Chapter 2.29 and 2.36:
 - The liquid ejection devices should be checked by an expert (e.g., a WALTHER service technician) for their safe working conditions as required and at least every 12 months.
 - For shut down devices, the examination can be suspended until the next start-up.

8.2.3.1 PRODUCT HOSES, PIPES AND COUPLINGS

The service life of the complete hoses between product pressure generator and application device is reduced due to environmental influences even when handled correctly.

- Check hoses, pipes, and couplings every day and replace if necessary.
- Before every commissioning, check all connections for leaks.



- Additionally, the operator must regularly check the complete hoses for wear and tear as well as for damage at intervals that he/she has set. Records of these checks must be kept.
- The complete hose is to be replaced as soon as one of the two following intervals has been exceeded:
 - 2 years from the date of the hose crimping (see fitting embossing).
 - 2 years from the date of the hose imprinting.

Fitting embossing (if present)	Meaning
xxx bar	Pressure
yymm	Crimping date (year/month)
XX	Internal code

Hose imprinting	Meaning
WALTHER	Name/manufacturer
yymm	Date of manufacture (year/month)
xxx bar (xx MPa) e.g., 270 bar (27MPa)	Pressure
XX	Internal code
DNxx (e.g., DN10)	Nominal diameter

8.2.4 REPLACING THE AIR HOSE

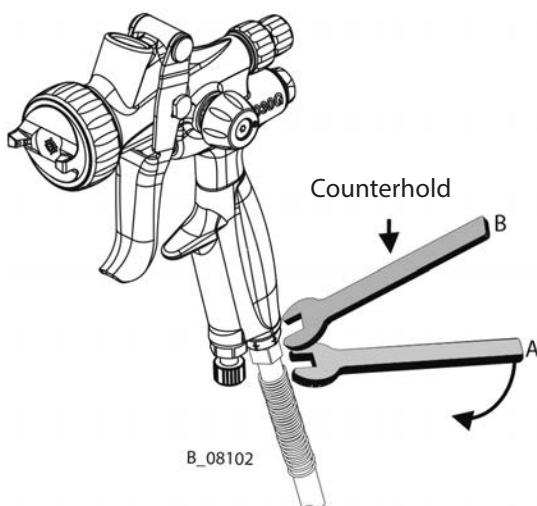
1. Flush and clean the spray gun as described in Chapter [8.1.3](#).
2. Relieve the pressure of the spray gun and device.

Air hose

1. Place the size D wrench on the air connection and hold it in place.
2. Unscrew the air hose nut using the size C wrench.

Assembly:

- Screw on air hose by hand and tighten using two wrenches.



Description	Wrench A	Wrench B
Wrench size	17 mm; 0.67 inches	14 mm; 0.55 inches



9 TROUBLESHOOTING AND RECTIFICATION

Functional fault	Cause	Rectification	See Chapter
Insufficient product output	Nozzle too small	Select a larger nozzle.	13.2
	Filter in cup clogged (if used)	Clean or replace filter.	
	Nozzle is clogged	Clean or replace nozzle.	7.5, 10.8
	Product valve travel set too low	Increase product valve travel by turning the adjusting screw.	
Poor spray pattern	Incorrectly adjusted atomizing air	Readjust the atomizing air.	
	Unfavorable nozzle size	Select a different nozzle.	13.2
	Air cap damaged	Use new air cap	
	Incorrect air cap	Use a different type of air cap	
	Spray product viscosity too high	Thin in accordance with the spray product manufacturer's instructions.	
	Damaged nozzle	Attach new nozzle.	10.8
Needle or needle packing leaky	Needle packing (seal) on the needle damaged	Replace needle packing (seal).	10.4
Air valve leaks	Air valve damaged	Replace air valve.	10.5
Spray gun does not shut off correctly	Nozzle nut not tightened enough	Tighten nozzle nut.	10.7
	Nozzle or needle damaged	Replace nozzle or needle.	10.8



10 REPAIR WORK

10.1 REPAIR PERSONNEL

Repair work should be undertaken carefully by qualified and trained personnel. They should be informed of specific hazards during their training.

The following hazards may arise during repair work:

- risk to health from inhaling solvent vapors,
- use of unsuitable tools and aids.

A skilled person must check to ensure that the device is in a reliable state after it is repaired. A function test should be performed.

10.2 REPAIR NOTES

DANGER

Improper Maintenance/Repair!

Danger to life and equipment damage.

- Only a WALTHER service center or a suitably trained person may carry out repairs and replace parts.
- Use only WALTHER original spare parts and accessories.
- Only repair and replace parts that are listed in the "Spare parts" chapter and that are assigned to the device.
- Before all work on the device and in the event of work interruptions:
 - Relieve the pressure from the spray gun, pressure hoses and all devices.
 - Secure the spray gun against actuation.
 - Switch off the energy and compressed air supply.
- Observe the operating and service manual for all work.



Before repair work

- Flush and clean the system in accordance with Chapter [8.1.3](#).
- Interrupt the air supply.

After repair work

- Carry out a safety check as described in Chapter [8.2.3](#).
- Put the system into operation and check for leaks as described in Chapter [6.8](#).
- Have the system checked for safe condition by a skilled person.
- Function test in accordance with Chapter [11](#).

10.3 TOOLS

The following tools are required for carrying out the repair work on the gun described below:

- Gun wrench sizes 17mm; 16mm; 14mm; 13mm; 12mm; 7mm. For the repairs described below only wrench sizes 16mm; 13mm; and 7mm are needed.
- Allen wrench, 10 mm
- 4 mm screw driver for needle packing
- 8 mm wrench size for needle carrier

**Assembly aids:**

Order no.	Quantity	Designation
V000000001	1 X \pm 10 g grease packet	Gun grease

Note:

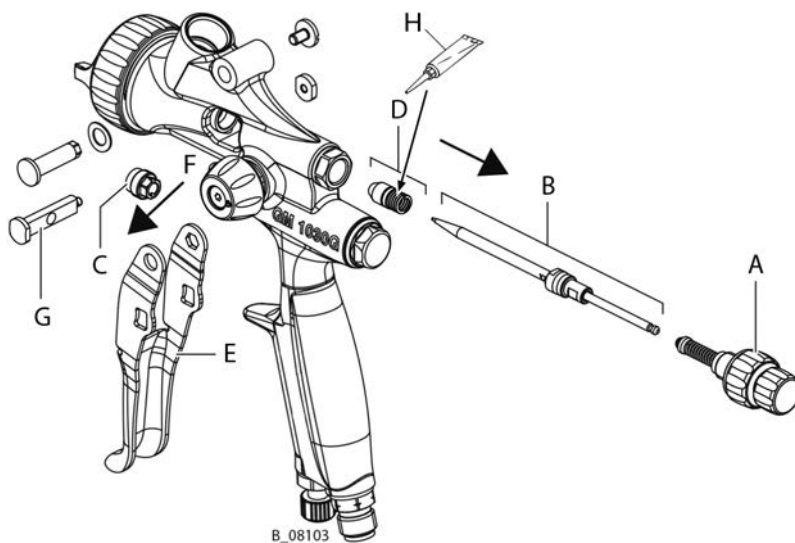
The WALTER PILOT gun grease, supplied with the spray gun (order no. V000000001), can be used.

10.4 REPLACING THE NEEDLE PACKING**⚠ NOTICE****Unsuitable tool!**

Damage to seals and sealing surfaces.

→ Hold the needle with pliers or a similar tool.

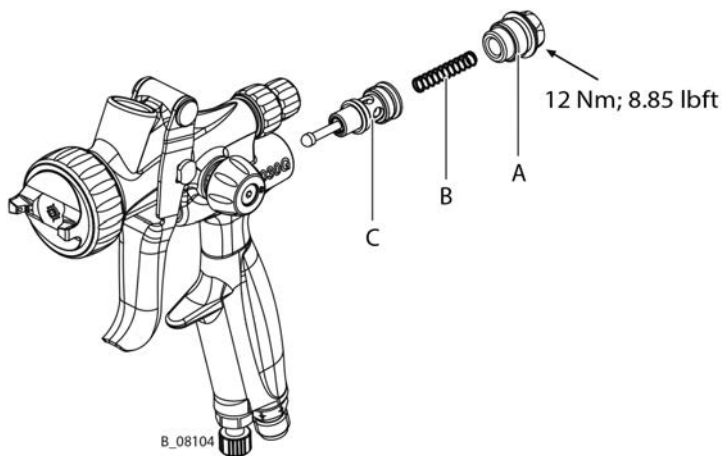
1. Flush and clean the spray gun in accordance with Chapter [8.1.3](#).
2. Relieve the pressure of the product pressure generator and of the spray gun in accordance with Chapter [7.4](#).
3. Unscrew needle stroke regulator (A) by hand.
4. Carefully pull out needle (B) from the rear.
5. Remove trigger (E) and needle carrier (G).
6. Loosen the clamping sleeve (C) of the needle packing (D) from behind using a screwdriver and push it out through the side opening at (F).
7. Push out needle packing (D) and coat new needle packing (D) with WALTER PILOT gun grease (H) and insert it.
8. Position and tighten the clamping sleeve (C).
9. Insert the needle (B) together with trigger (E) and needle carrier (G) and fix it with the needle stroke regulator (A).
10. Tighten the clamping sleeve (C).
11. Fit trigger (E) and needle carrier (G) again.





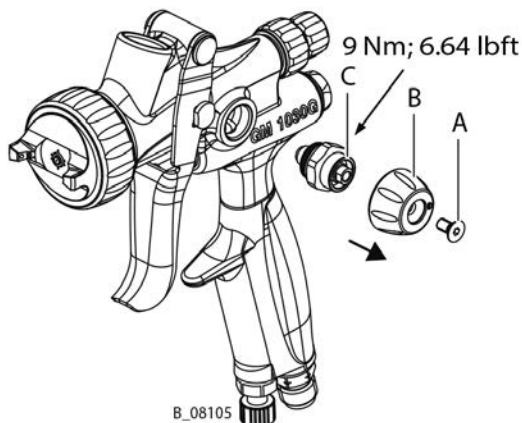
10.5 CHANGING THE AIR VALVE

1. Flush and clean the spray gun in accordance with Chapter [8.1.3](#).
2. Relieve the pressure of the product pressure generator and of the spray gun in accordance with Chapter [7.4](#).
3. Unscrew locking cap (A) with a size 16 wrench.
4. Carefully remove pressure spring (B) and unscrew air valve (C) with a size 10 Allen wrench.
5. Replace air valve (C) and put back in, together with the pressure spring (B), then tighten with 6 Nm; 4.43 lbft.
6. Retighten locking cap (A) with a size 16 mm wrench and a torque of 12 Nm; 8.85 lbft.



10.6 CHANGING SHAPING AIR REGULATOR

1. Flush and clean the spray gun in accordance with Chapter [8.1.3](#).
2. Relieve the pressure of the product pressure generator and of the spray gun in accordance with Chapter [7.4](#).
3. Unscrew countersunk head screw (A) with a 2.5 mm Allen wrench.
4. Pull off the air adjustment knob (B) and unscrew the shaping air regulator (C) using a 16 mm open-end wrench.
5. Replace shaping air regulator (C) and then screw thread back in and tighten to a torque of 9 Nm; 6.64 lbft.
6. Put on air adjustment knob (B) and screw in countersunk head screw (A).



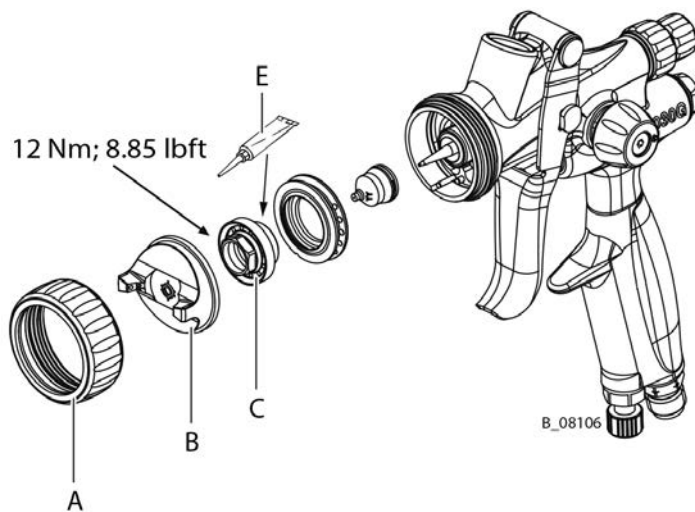


10.7 TIGHTENING NOZZLE NUT

1. Flush and clean the spray gun in accordance with Chapter [8.1.3](#).
2. Relieve the pressure of the product pressure generator and of the spray gun in accordance with Chapter [7.4](#).
3. Remove air cap nut (A) and air cap (B).
4. Check nozzle nut (C) for correct seating and, if necessary, tighten with a size 13 wrench. Coat inside with gun grease (V0000000001) (E).

Note: Tighten only with the trigger pulled!

5. Fit air cap (B) back onto nozzle nut (C) and tighten air cap (A) by hand.





10.8 REPLACING NOZZLE OR NEEDLE

Note: Only loosen and tighten nozzle with the trigger pulled.

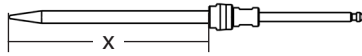
Disassembly:

1. Flush and clean the spray gun in accordance with Chapter 8.1.3.
2. Relieve the pressure of the product pressure generator and of the spray gun in accordance with Chapter 7.4.
3. Unscrew needle stroke regulator (G) by hand.
4. Carefully pull needle (F) out from the rear (if necessary, loosen the clamping sleeve (H) of the needle packing).
5. Remove air cap nut (A) and air cap (B).
6. Unscrew nozzle nut (C) with a size 13 wrench, remove air control ring (D) and nozzle (E).
7. Treat parts with cleaning agent until all remaining products has been dissolved.

Assembly:

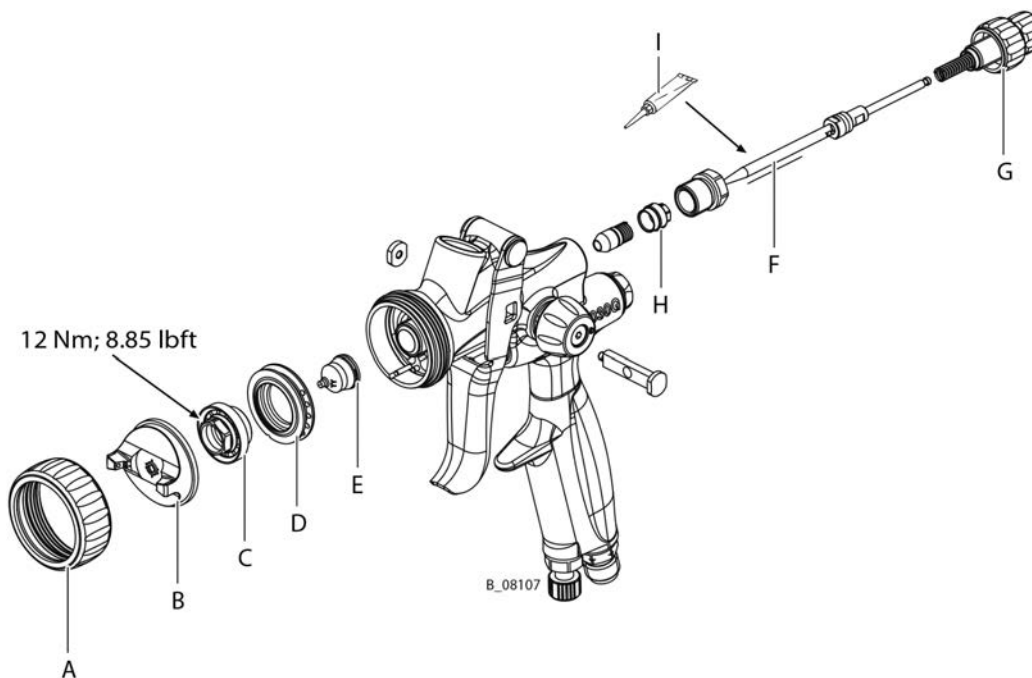
1. Place nozzle (E) in nozzle nut (C) and insert air control ring (D) in the spray gun. Tighten nozzle nut (C) with a size 13 wrench and with a torque of 12 Nm; 8.85 lbft.
2. Insert air cap (B) and tighten by hand with air cap nut (A).
3. Grease needle (F) with WALTHER PILOT gun grease (I). Loosen clamping sleeve (H) of the needle packing and carefully insert needle (F).
4. Unscrew needle stroke regulator (G) by hand and retighten clamping sleeve (H).

Note:



Needle setting dimension GM1030G: measured from the needle tip to the carrier, $x = 60.3 \text{ mm}$

Needle setting dimension GM1030G Adhesive (ADH): measured from the needle tip to the carrier, $x = 67.9 \text{ mm}$





11 FUNCTION TEST

After all repair work, the spray gun must be checked for safe condition before recommissioning. The necessary scope of inspection and testing depends on the repair carried out and must be documented by the repair personnel.

Assembly inspection	
Activity	Aid tools
1. Leak test <ul style="list-style-type: none"> – Connect 1 bar; 0.1 MPa; 14.50 psi air pressure to the air connection. Place the spray gun completely into the water bath and check all sealing points with 4 bar; 0.4 MPa; 58 psi for leaks. At 4 bar; 0.4 MPa; 58 psi, a slight leak can be tolerated. 	Air connection, 1 bar Water bath
Injection and Final Inspection	
Activity	Aid tools
2. Trigger lever function test <ul style="list-style-type: none"> – The trigger lever must be pulled as far as it will go. Make sure that the trigger lever can move slightly in its rest position. 	Manual inspection
3. Leak test <ul style="list-style-type: none"> – Connect spray gun, connect cup for product and allow product to flow through. – Trigger and flush the spray gun multiple times. – Check the following: <ul style="list-style-type: none"> – Is the product connection sealed when the gun is closed? – Is the product valve sealed? – Is there no product discharge at the valve rod seal? <p>If product leaks, tighten clamping sleeve: Clamping sleeve of the needle packing on the valve rod must be tightened. If necessary, tighten the clamping sleeve with the wrench. (In doing so, it is important to make sure that the valve rod still runs smoothly and the spray gun closes reliably).</p>	Visual inspection Product connection, 8 bar Air connection, 3 bar Size 7 mm wrench for the clamping sleeve
Activity	Aid tools
4. Checking the switching sequence <ul style="list-style-type: none"> – Mount nozzle and air cap nut. – Pull the trigger slowly, note the switching sequence "Switch on" and "Switch off". Switch on: atomizing air on, product on Switch off: product off, atomizing air off	Visual inspection
5. Flush the spray gun <ul style="list-style-type: none"> – Switch off the air supply, pull trigger lever and flush spray gun or blow out with air. Flush the gun without the valve and air cap. In doing so, you can remove the air connection hose. – When almost no more product comes out, remove the product cup and clean it. 	



12 DISPOSAL

When the devices must be scrapped, please differentiate the disposal of the waste materials.

The following materials have been used:

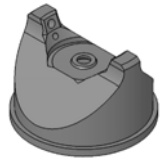

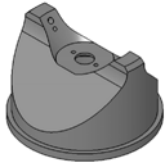


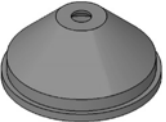
- Stainless steel
- Aluminium
- Brass
- Plastics

The consumable products (e.g. lacquers, adhesives, solvents) must be disposed of in accordance with the applicable specific standards.



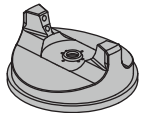
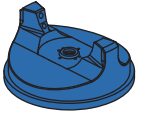
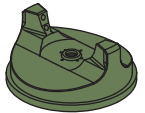
13 ACCESSORIES

13.1 AIR CAPS

Order no.	Description	Processible Working Materials Adhesive	
V1071130105	Air cap 1.0 mm	Air cap with wide jet spray pattern for low and medium viscosity adhesives	
V1071130125	Air cap 1.2 mm		
V1071130155	Air cap 1.5 mm		
V1071130185	Air cap 1.8 mm		
V1071130205	Air cap 2.0 mm		
V1071130255	Air cap 2.5 mm		
V1071136105	Air cap 1.0 mm HVLP	Overspray reduced wide jet air cap for dispersion adhesive for bonding foams	
V1071136125	Air cap 1.2 mm HVLP		
V1071136155	Air cap 1.5 mm HVLP		
V1071136185	Air cap 1.8 mm HVLP		
V1071136205	Air cap 2.0 mm HVLP		
V1071136255	Air cap 2.5 mm HVLP		
V1070030080	Air cap 0,8 - 1.0 mm Rotating wide beam	Rotary jet air cap with wide jet spray pattern for high-viscosity adhesives Nozzle sizes 1.8 - 2.0	
V1070030120	Air cap 1.2 - 1.5 mm Rotary wide jet		
V1070030180	Air cap 1.8 - 2.0 mm Rotary wide jet		
V1070051050	Air cap 0.5 - 1.8 mm Round jet	Round jet air cap for low to medium viscosity materials	
V1070051200	Air cap 2.0 - 2.5 mm Round jet		
V1070051053	Air cap 0.5 - 1.8 mm Round jet stainless steel		
V1071145103	Disp. adhesive air cap 1.0 mm	Dispersion adhesive air cap with round jet spray pattern	
V1071145123	Disp. adhesive air cap 1.2 mm		
V1071145153	Disp. adhesive air cap 1.5 mm		
V1071145183	Disp. adhesive air cap 1.8 mm		
V1071145253	Disp. adhesive air cap 2.5 mm		
V1070071120	Air cap 1.2 - 1.5 mm Round rotary jet	Rotary jet air cap with round jet spray pattern for highly viscous adhesives	
V1070071180	Air cap 1.8 - 2.0 mm Round rotary jet		

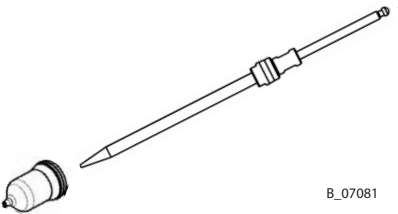
OPERATING MANUAL



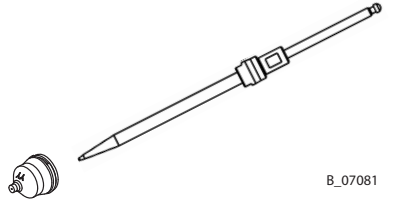
Order no.	Description	Processible Working Materials	
V1070035038	Air cap 0.3-1.8 mm CONV 8	Base lacquer, colored lacquer, clear lacquer, separating agent, anti-dust	 B_07078
V1070035208	Air cap 2.0-2.5 mm CONV 8		
V1070035031	Air cap 0.3-1.8 mm CONV 10		
V1070035201	Air cap 2.0-2.5 mm CONV 10		
V1070036060	Air cap 0.3-1.8 mm HVLP Plus	Stain, primer, filler, base lacquer, colored lacquer, clear lacquer, glaze	 B_07079
V1070036160	Air cap 2.0-2.5 mm HVLP Plus		
V1070037061	Air cap 0.3-1.8 mm HVLP	Stain, primer, filler, base lacquer, colored lacquer, glazes, spraying plaster	 B_07080
V1070037161	Air cap 2.0-2.5 mm HVLP		

13.2 NOZZLES AND NEEDLES





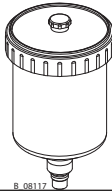




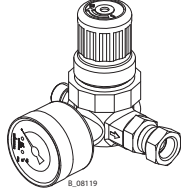
PILOT GM 1030G ADH (adhesive) nozzle needle sets are available in the following sizes:

Order no.	Description	
V18103G1103	GM 1030G ADH nozzle needle set 1.0 mm	 B_07081
V18103G1123	GM 1030G ADH nozzle needle set 1.2mm	
V18103G1153	GM 1030G ADH nozzle needle set 1.5 mm	
V18103G1183	GM 1030G ADH nozzle needle set 1.8 mm	
V18103G1203	GM 1030G ADH nozzle needle set 2.0 mm	
V18103G1253	GM 1030G ADH nozzle needle set 2.5 mm	
V18103G2103	GM 1030G ADH nozzle needle set 1.0 mm	
V18103G2123	GM 1030G ADH nozzle needle set 1.2 mm	
V18103G2153	GM 1030G ADH nozzle needle set 1.5 mm	
V18103G2183	GM 1030G ADH nozzle needle set 1.8 mm	
V18103G2203	GM 1030G ADH nozzle needle set 2.0 mm	
V18103G2253	GM 1030G ADH nozzle needle set 2.5 mm	

PILOT GM 1030G nozzle needle sets are available in the following sizes:

Order no.	Description	
V18103G0103	GM 1030G nozzle needle set 1.0 mm	 B_07081
V18103G0123	GM 1030G nozzle needle set 1.2 mm	
V18103G0153	GM 1030G nozzle needle set 1.5 mm	
V18103G0183	GM 1030G nozzle needle set 1.8 mm	
V18103G0203	GM 1030G nozzle needle set 2.0 mm	
V18103G0223	GM 1030G nozzle needle set 2.2 mm	

**13.3 ADDITIONAL ACCESSORIES**

Order no.	Description	
V2000830144	Compressed air hose inner - \varnothing 8 mm, outer - \varnothing 14 mm, electrically conductive	
V0010102000	Hose connector, 8 mm brass	
V0010103000	Union nut G 1/4" nickel-plated brass	
V7013150000	Hose clamp 13/15	
51-405	Paint cup PA 750 ml M16-A without filter	
54-410	Filter for gravity-feed cup 51-405	
V0013800000	Flow pressure cup 450 ccm made of light metal	
2440655	Adapter GM 1030 for flow pressure cup	
V3555500010	Compressed air regulator with manometer for pressure cup, complete ready for connection with hose	
V0000104000	Double ball joint, air 1/4"	
2418084	Gun pressure regulator, cpl.	



14 SPARE PARTS

14.1 HOW TO ORDER SPARE PARTS

Always supply the following information to ensure delivery of the right spare part:

Order number, designation and quantity

The quantity need not be the same as the number given in the quantity column "**Stk**" on the list. This number merely indicates how many of the respective parts are used in each component.

The following information is also required to ensure smooth processing of your order:

- billing address
- delivery address
- name of the person to be contacted in the event of any queries
- type of delivery (normal mail, express delivery, air freight, courier, etc.).

Identification in spare parts lists

Explanation of column "**K**" (labeling) in the following spare parts lists:

- ◆ Wear parts. Wear parts are not included in the warranty terms.
- ★ Included in service set

Note:

These parts are not covered by warranty terms.

- Not part of standard equipment, however, available as special accessory.

Explanation of order no. column

- Item not available as spare part.
- / Position does not exist.

DANGER

Improper Maintenance/Repair!

Danger to life and equipment damage.

- Only a WALTHER service center or a suitably trained person may carry out repairs and replace parts.
- Use only WALTHER original spare parts and accessories.
- Only repair and replace parts that are listed in the "Spare parts" chapter and that are assigned to the device.
- Before all work on the device and in the event of work interruptions:
 - Relieve the pressure from the spray gun, pressure hoses and all devices.
 - Secure the spray gun against actuation.
 - Switch off the energy and compressed air supply.
- Observe the operating and service manual for all work.



OPERATING MANUAL



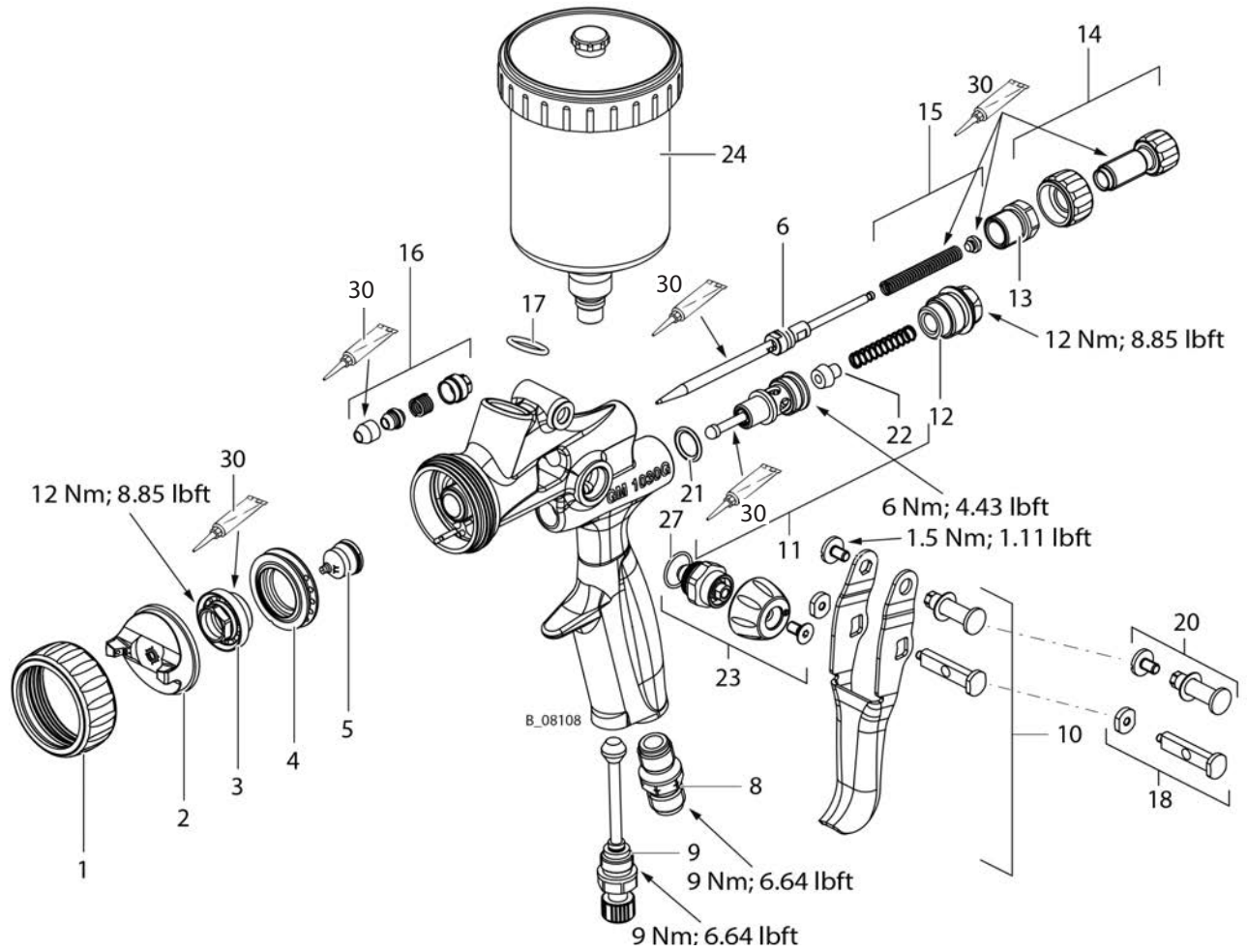
14.2 GUN VARIANTS

	1	2	3	4	5	6	7	8	9	10	11	
Model designation	G											
Manual gun		M										
Series with needle packing			1	0	3							
Gravity-flow cup version						G						
Air cap, adhesive, conventional							0	2				
Air cap, adhesive, HVLP							0	3				
HVLP							0	4				
HVLP ^{plus}							0	5				
Conventional 8 hole							0	8				
Conventional 10 hole							1	0				
Dispersion adhesive, round jet							4	5				
Round jet							5	1				
Adhesive, rotary jet							7	1				
Adhesive, rotary wide jet							3	3				
Nozzle size ø 1,0-2.2mm									X	X		
Adhesive nozzle size ø 1,0-2.5 mm									X	X		
Adhesive nozzle size ø 1.0-2.5 mm									X	X		
Standard - stainless steel												3
e.g.: Order number for a GM 1030G manual gun with needle packing, gravity-feed cup version, air cap dispersion adhesive rotary jet with nozzle size adhesive 1.5 mm and stainless steel material nozzle and needle.	G	M	1	0	3	G	4	5	1	5	3	

e.g.: *
Nozzle size 1.5 mm
X X = 1 5



14.3 EXPLODED-VIEW DRAWING OF PILOT GM 1030G



**14.4 SPARE PARTS LIST**

			PILOT GM 1030G GM103Gxxxx3	
Pos	K	Description	Stk	Order no.
1		Air cap nut, complete	1	GM1032400769
2	◆	Air cap (see Chapter 13.1)	1	--
3		Nozzle nut	1	GM1032400782
4	◆	Air control ring	1	GM1032400779
5	◆	Nozzle	1	--
6	◆	Nozzle/needle set (see Chapter 13.2)	1	--
8		Air connection	1	GM1032400781
9		Air volume regulation, complete	1	GM1032400773
10		Trigger set	1	GM1032417737
11		Air valve, complete	1	GM1032400772
12		Lock cap	1	GM1032400780
13		Threaded bushing	1	GM1032417746
14		Needle stroke regulator set	1	GM1032400778
15	★	Needle spring set	1	GM1032417736
16	★ ◆	Needle packing set	1	GM1032400771
17	★ ◆	O-ring	1	--
18		Needle carrier set	1	GM1032417744
20		Trigger axis set	1	GM1032417747
21	★ ◆	O-ring	1	--
22	★	Air valve cone	1	--
23		Shaping air adjustment	1	GM1032417738
24		Gravity-flow cup 750 ml without filter	1	51-405
25		Filter for gravity-feed cup 51-405	1	54-410
27	★ ◆	O-ring	1	--
30		Gun grease (10g grease paket)	1	V000000001
Service-Sets				
		Service Set GM 1030G comprising items: 15, 16, 17, 21, 22, 27	1	GM1032425400

◆ = Wearing parts

★ = Included in service set

● = Not part of the standard equipment but available as a special accessory.



15 EU DECLARATION OF CONFORMITY

EC/EU-Declaration of Conformity according to 2006/42/EC, Annex II, No. 1A



We, the manufacturers of the equipment, hereby declare under our sole responsibility that the product(s) described below conform to the essential safety requirements. This declaration will be rendered invalid if any changes are made to the equipment without prior consultation with us.

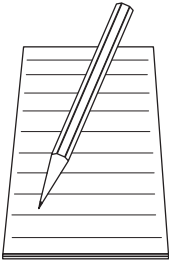
Manufacturer	WALTHER Spritz- und Lackiersysteme GmbH Kärntner Str. 18 - 30 D - 42327 Wuppertal Tel.: +49(0)202 / 787 - 0 Fax: +49(0)202 / 787 - 2217 www.walther-pilot.de • e-mail: info@walther-pilot.de			
Type Designation	Manual Spray Gun PILOT GM 1030G	Order no.: GM103Gxxx3		
Intended purpose	Processing of sprayable media			
Applied Standards and Directives				
EU-Mechanical Engineering Directives 2006/42/EC 2014/34/EU (ATEX Directives) DIN EN ISO 12100:2011-3 DIN EN 1953:2013				
DIN EN 1127-1:2019 DIN EN ISO 80079-36:2016				
Specification according 2014/34/EU				
Category 2	Part marking		II 2G Ex h IIC T6 Gb	Tech. File, Ref.: PTB 21 ATEX D104
Authorized with the compilation of the technical file: Nico Kowalski, WALTHER Spritz- und Lackiersysteme GmbH, Kärntner Str. 18 - 30 D- 42327 Wuppertal				
Special remarks : The named product is intended for installation in other equipment. Commissioning is prohibited until such time as the end product has been proved to conform to the provision of the Directives 2006/42/EC.				

Wuppertal, 20 April 2022

Name: Ralf Mosbacher
Managing Director

Name: Torsten Bröker
Manager, Design and Development

This Declaration does not give assurance of properties in the sense of product liability. The safety instructions provided in the product documentation must be observed at all times.



A series of horizontal lines for writing, starting with a set of five lines that are aligned with the notepad illustration, followed by a continuous series of lines extending down the page.



The WALThER PILOT Programme

- **Manual Spray Guns**
- **Automatic Spray Guns**
- **Low Pressure Spray Guns (System HVLP)**
- **Gun Nozzle Extension for Internal Coating**
- **Two Component Spray Guns**
- **Material Pressure Tanks**
- **Nonpressurized Tanks**
- **Agitator Systems**
- **Airless Equipment and Fluid Pumps**
- **Material Circulation Systems**
- **Paint Mist Extraction Systems**
- **Supply Air Systems**
- **Occupational Safety and Accessory Items**

Document-No.: 11463066 Version A

Technical changes and errors excepted. © WALThER PILOT

Order no.: 2428311
Ausgabe: 11/2022

Walther Spritz- und Lackiersysteme GmbH
Kärntner Straße 18-30 · D-42327 Wuppertal
T +49 202 787-0 · F +49 202 787-2217
info@walther-pilot.de · www.walther-pilot.de