

Series MC filters

Ports G1/4, G3/8 and G1/2
Modular
Metal bowl and bayonet-type mounting



- » Removal of impurities and condensate
- » Quality of delivered air according to ISO 8573-1:2010, Classes 7.8.4 and 6.8.4
- » Manual, automatic or depressuring drain

Series MC filters are available with ports G1/4, G3/8 and G1/2. Bowls are made of metal with a transparent sight glass and have a condensate drain valve which can provide either a manual or semi-automatic function.

GENERAL DATA

Construction	compact modular with filtering element in HDPE
Materials	zama, NBR, tecnopolymer
Ports	G1/4 G3/8 G1/2
Max condensate capacity	cm ³ 28 cm ³ 72 cm ³ 72
Weight	kg 0,339 kg 0,718 kg 0,688
Mounting	vertical in-line or wall-mounting
Operating temperature	-5°C ÷ 50°C at 10 bar (with the dew point of the fluid lower than 2°C at the min. working temperature)
Quality of delivered air according to ISO 8573-1:2010	Class 6.8.4 with 5µm filtering element Class 7.8.4 with 25µm filtering element
Draining of condensate	semi-automatic manual, automatic protected depressurisation, direct G1/8 exhaust
Finishing	enamelled
Operating pressure	with standard drain and protected depressurisation 0.3 ÷ 16 bar with depressurisation 0.3 ÷ 10 bar with automatic drain 1.5 ÷ 12 bar for G3/8 and G1/2
Nominal flow	see FLOW DIAGRAMS on the following pages
Fluid	compressed air

CODING EXAMPLE

MC	2	02	-	F	0	0
-----------	----------	-----------	----------	----------	----------	----------

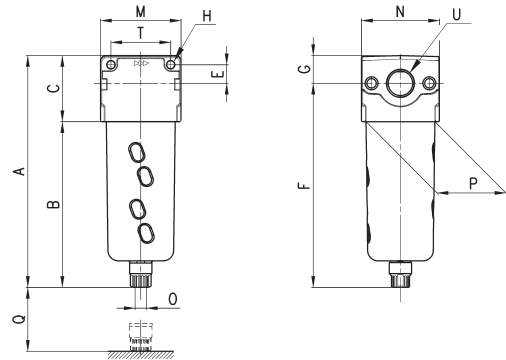
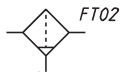
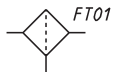
MC	SERIES
2	SIZE: 1 = G1/4 2 = G3/8 - G1/2
02	PORTS: 04 = G1/4 38 = G3/8 02 = G1/2
F	F = FILTER
0	FILTERING ELEMENT: 0 = 25µm (standard) 1 = 5µm
0	DRAINING OF CONDENSATE (further details in the dedicated section): 0 = normal - semiautomatic (standard) 3 = automatic drain (only for G3/8 and G1/2) 4 = depressurisation (only G1/4) 5 = depressurisation, protected 8 = no drain, port 1/8

SERIES MC FILTERS

Filters Series MC



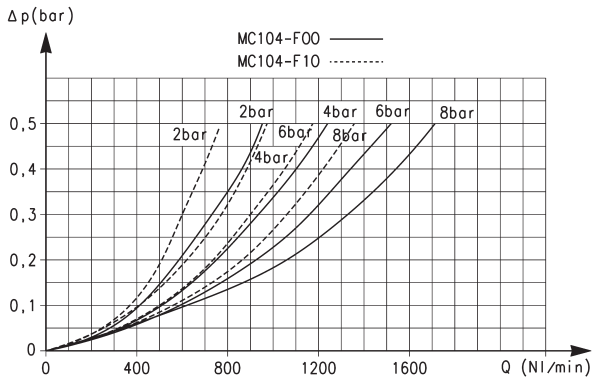
FT01 = filter without drain with threaded port
FT02 = filter with semiautomatic manual drain
FT03 = filter with automatic drain



DIMENSIONS														
Mod.	A	B	C	E	F	G	H	M	N	O	P	Q	T	U
MC104-F00	143	102	41	11	126,5	16,5	4,5	45	45	G1/8	37	58	35	G1/4
MC238-F00	184	133	51	14	163	21	5,5	62	60	G1/8	53	72	46	G3/8
MC202-F00	184	133	51	14	163	21	5,5	62	60	G1/8	53	72	46	G1/2

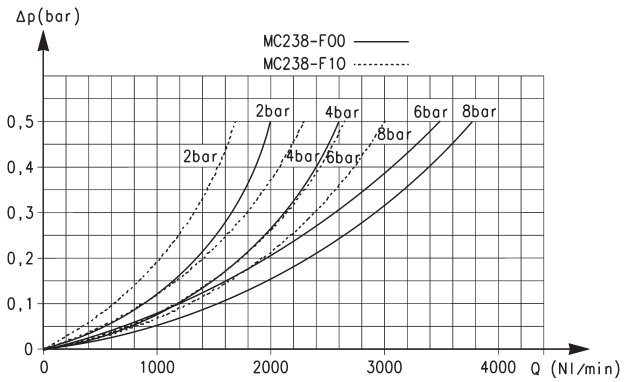
FLOW DIAGRAMS FOR FILTERS SERIES MC, G1/4 - G3/8 PORTS

SERIES MC FILTERS



Flow diagram for models: MC238-F00 and MC238-F10

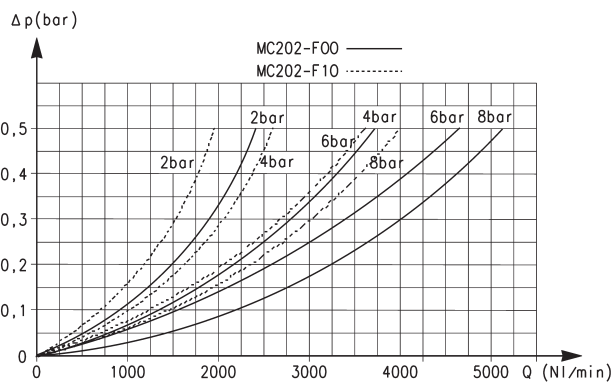
ΔP = Pressure drop (bar)
 Q = Flow (NL/min)



Flow diagram for models: MC104-F00 and MC104-F10

ΔP = Pressure drop (bar)
 Q = Flow (NL/min)

FLOW DIAGRAM FOR FILTERS SERIES MC, G1/2 PORTS



Flow diagram for models: MC202-F00 and MC202-F10

ΔP = Pressure drop (bar)
 Q = Flow (NL/min)