

New

Bellows suction pads (round) Series VTCL - 1,5 folds

Series VTCL bellows suction pads available in NBR or Silicone.
Diameters from 4 to 53 mm with thread size M3, M5, G1/8, G1/4, both male and female.

SERIES VTCL BELLOWS SUCTION PADS



- » Optimal damping when placed on the workpiece.
- » Support surface on the bottom to avoid permanent deformation of the workpiece.
- » Good adaptation to curved and uneven surfaces.
- » Very stiff top fold to guarantee stability even in conditions with high accelerations or during emergency stops.
- » Good adaptation to different heights of the workpieces.

Series VTCL bellows suction pads (1,5 folds) have a rugged design and consist of a nipple and rubber part. The nipples are inserted directly into the rubber part. The rubber parts can also be ordered separately without nipples as spare parts. Materials: NBR or Silicone

Applications:
 - Handling of even or uneven workpieces such as panels for car bodies, tubes, cardboard boxes
 Handling of fragile workpieces such as electronics components, injection moulded pieces, etc
 - Handling of welded pieces
 - Silicone version for handling high temperatures pieces

GENERAL DATA

Description	wear resistant suction pad consisting of rubber part VTCL with 1,5 folds and connection nipple
Construction	nipples and suction pads are supplied not pre-assembled
Maintenance	it is possible to replace the rubber part
Working temperature	NBR version: -30°C ÷ +120°C (for short time <30 sec.); -10°C ÷ +70°C (long-term) SILICONE version: -40°C ÷ +220°C (for short time <30 sec.); -30°C ÷ +180°C (long-term)

TECHNICAL DATA

Mod./Diameter	Suction force (N)*	Pull-off force (N)* (convex)	Volume (cm ³)	Min. curve radius (mm)	Recommended internal tube diam. (mm)
VTCL-040	0,29	0,5	0,035	2	3
VTCL-060	0,40	1,4	0,098	4	4
VTCL-110	0,95	3,8	0,225	5	4
VTCL-140	1,2	5	0,42	6	4
VTCL-160	2,3	6,7	0,75	7	4
VTCL-200	4,7	10,7	1,15	9	4
VTCL-250	7,3	17,3	3,15	11	4
VTCL-330	13,6	39,6	4,75	15	6
VTCL-430	22,8	64,5	9,25	30	6
VTCL-530	51,3	95	26,25	40	6

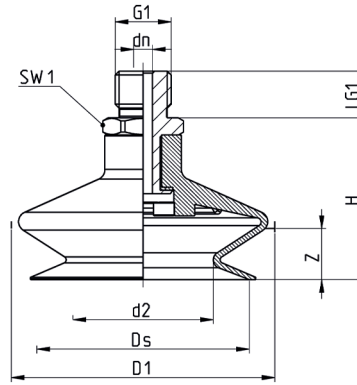
CODING EXAMPLE

VT	C	L	-	040	N	-	M5	M
-----------	----------	----------	----------	------------	----------	----------	-----------	----------

VT	SERIES VT = suction pad
C	SHAPE C = round
L	VERSION L = 1,5 folds
040	DIAMETERS 040 = 4,0 mm 60 = 6,0 mm 110 = 11,0 mm 140 = 14,0 mm 160 = 16,0 mm 200 = 20,0 mm 250 = 25,0 mm 330 = 33,0 mm 430 = 43,0 mm 530 = 53,0 mm
N	MATERIALS N = NBR S = silicone
M5	THREAD SIZE M3 = M3 M5 = M5 1/8 = G1/8 1/4 = G1/4
M	THREAD M = male F = female

Series VTCL suction pad - male thread

* = (N) for suction pad in NBR - (S) for suction pad in Silicone
(add the required letter when placing an order)



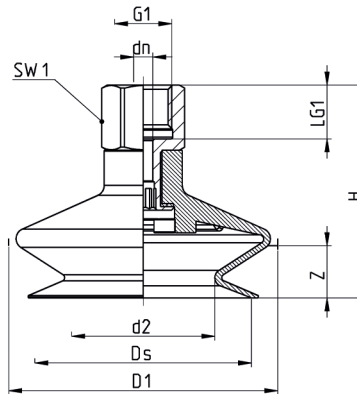
Tolerances for elastomer parts according to DIN ISO 3302-1 M3



DIMENSIONS										
Suction pad with nipple	D1	dn	Ds	G1	H	LG1	SW1	Z	Suction pad	Nipple
VTCL-040*-M3M	4,3	1,0	4,0	M3 M	7,5	3,0	5	1,5	VTCL-040*	NPV-A-M3-M
VTCL-110*-M5M	11,0	2,5	10,4	M5 M	21	5,0	7	4,0	VTCL-110*	NPV-D-M5-M
VTCL-110*-1/8M	11,0	3,5	10,4	G1/8 M	22	7,5	14	4,0	VTCL-110*	NPV-R-1/8-M
VTCL-140*-M5M	13,0	2,5	12,5	M5 M	21	4,5	7	5,0	VTCL-140*	NPV-D-M5-M
VTCL-140*-1/8M	13,0	3,5	12,5	G1/8 M	22	7,5	14	5,0	VTCL-140*	NPV-R-1/8-M
VTCL-160*-M5M	16,5	2,5	15,6	M5 M	24	5,0	7	6,0	VTCL-160*	NPV-D-M5-M
VTCL-160*-1/8M	16,5	3,5	15,6	G1/8 M	25	7,5	14	6,0	VTCL-160*	NPV-R-1/8-M
VTCL-200*-M5M	18,3	2,5	18,1	M5 M	20,5	4,5	7	5,0	VTCL-200*	NPV-D-M5-M
VTCL-200*-1/8M	18,3	3,5	18,1	G1/8 M	21,5	7,5	14	5,0	VTCL-200*	NPV-R-1/8-M
VTCL-250*-1/8M	23,7	3,5	22,5	G1/8 M	29	7,5	14	12,0	VTCL-250*	NPV-R-1/8-M
VTCL-330*-1/4M	33,0	4,4	30,0	G1/4 M	31	11,0	17	12,0	VTCL-330*	NPV-S-1/4-M
VTCL-430*-1/4M	43,0	4,4	38,0	G1/4 M	32	11,0	17	10,0	VTCL-430*	NPV-S-1/4-M
VTCL-530*-1/4M	53,0	4,4	50,0	G1/4 M	38	11,0	17	15,0	VTCL-530*	NPV-S-1/4-M

Series VTCL suction pad - female thread

* = (N) for suction pad in NBR - (S) for suction pad in Silicone
(add the required letter when placing an order)



Tolerances for elastomer parts according to DIN ISO 3302-1 M3



DIMENSIONS										
Suction pad with nipple	D1	dm	Ds	G1	H	LG1	SW1	Z	Suction pad	Nipple
VTCL-060*-M5F	4,5	2,0	5,8	M5 F	19,0	5,5	8	2,0	VTCL-060*	NPS-C-M5-F
VTCL-110*-1/8F	11,0	3,5	10,4	G1/8 F	28	8,5	14	4,0	VTCL-110*	NPV-R-1/8-F
VTCL-140*-1/8F	13,0	3,5	12,5	G1/8 F	28	8,5	14	5,0	VTCL-140*	NPV-R-1/8-F
VTCL-160*-1/8F	16,5	3,5	15,6	G1/8 F	31	8,5	14	6,0	VTCL-160*	NPV-R-1/8-F
VTCL-200*-1/8F	18,3	3,5	18,1	G1/8 F	27,5	8,5	14	5,0	VTCL-200*	NPV-R-1/8-F
VTCL-250*-1/8F	23,7	3,5	22,5	G1/8 F	35	8,5	14	12,0	VTCL-250*	NPV-R-1/8-F
VTCL-330*-1/4F	33,0	4,4	30,0	G1/4 F	42	12,0	17	12,0	VTCL-330*	NPV-S-1/4-F
VTCL-430*-1/4F	43,0	4,4	38,0	G1/4 F	43	12,0	17	10,0	VTCL-430*	NPV-S-1/4-F
VTCL-530*-1/4F	53,0	4,4	50,0	G1/4 F	49	12,0	17	15,0	VTCL-530*	NPV-S-1/4-F