

# Series T, MPL, PNZ tubing, spirals and accessories

Tubes: reinforced PVC, Polyamide (PA) 12, Hytrel Polyester, Polyethylene (PE), Polyurethane (PU).

Diameters: 4/2, 5/3, 6/4, 8/6, 10/8, 12/10, 15/12,5 mm

SERIES T, MPL, PNZ TUBING, SPIRALS AND ACCESSORIES



**Camozzi offers a range of tubes and spirals with specific features which are suitable for several technical requirements. Thanks to high-quality raw materials and with a low specific weight, these products are very small and lightweight. They also show high resistance against stress and flexural vibrations.**

The high specularity of internal surfaces for the fluid passage (roughness of about 6 micron) allows to reduce the loosening of loads and to reach very high flows with same diameters. Technopolymers used are particularly resistant to aging, thus ensuring the product a very long life.

## Tubes Mod. PV



Tubes in reinforced PVC

Standard colour: Blue

| Mod.       | D/d     | Max pressure at 20°C (bar) | Weight (g/m) | Bend radius (mm) | Lot (m) |
|------------|---------|----------------------------|--------------|------------------|---------|
| PV 6/4     | 6/4     | 40                         | 22           | 50               | 50      |
| PV 8/6     | 8/6     | 38                         | 30           | 60               | 50      |
| PV 10/8    | 10/8    | 30                         | 40           | 65               | 50      |
| PV 12/10   | 12/10   | 24                         | 56           | 80               | 50      |
| PV 15/12,5 | 15/12,5 | 18                         | 70           | 90               | 50      |

## Tubes Mod. TRN



Tubes in polyamide PA12

Standard colour: Neutral

Colours available on request:

Blue - Red - Green - Black - Yellow

| Mod.      | D/d   | Max pressure at 23°C (bar) | Weight (g/m) | Bend radius (mm) | Lot (m) |
|-----------|-------|----------------------------|--------------|------------------|---------|
| TRN 4/2   | 4/2   | 44                         | 9.7          | 16               | 100     |
| TRN 5/3   | 5/3   | 33                         | 12.9         | 20               | 100     |
| TRN 6/4   | 6/4   | 28                         | 16.2         | 30               | 100     |
| TRN 8/6   | 8/6   | 20                         | 22.6         | 40               | 100     |
| TRN 10/8  | 10/8  | 16                         | 29.1         | 60               | 50      |
| TRN 12/10 | 12/10 | 12                         | 35.6         | 85               | 50      |

## Tubes Mod. TRH



Tubes in Hytrel polyester

Standard colour: Blue

Colours available on request:

Red - Green - Black - Yellow - White

| Mod.        | D/d   | Max pressure at 23°C (bar) | Weight (g/m) | Bend radius (mm) | Lot (m) |
|-------------|-------|----------------------------|--------------|------------------|---------|
| TRH 4/2-Z   | 4/2   | 32                         | 11.5         | 16               | 100     |
| TRH 5/3-Z   | 5/3   | 27                         | 15.3         | 25               | 100     |
| TRH 6/4-Z   | 6/4   | 21                         | 19.2         | 35               | 100     |
| TRH 8/6-Z   | 8/6   | 15                         | 26.8         | 65               | 100     |
| TRH 10/8-Z  | 10/8  | 12                         | 34.5         | 100              | 50      |
| TRH 12/10-Z | 12/10 | 10                         | 42.1         | 125              | 50      |

### Tubes Mod. TPE



Tube in low density polyethylene

Standard colour: Neutral  
Colours available on request: Blue

| Mod.     | D/d  | Max pressure at 23°C (bar) | Weight (g/m) | Bend radius (mm) | Lot (m) |
|----------|------|----------------------------|--------------|------------------|---------|
| TPE 5/3  | 5/3  | 17                         | 11.3         | 23               | 100     |
| TPE 6/4  | 6/4  | 13                         | 14.1         | 32               | 100     |
| TPE 8/6  | 8/6  | 10                         | 19.8         | 43               | 100     |
| TPE 10/8 | 10/8 | 7                          | 25.4         | 76               | 100     |

### Tubes Mod. TPC



Tubes in Polyurethane 98 Shore

Standard colour: Grey RAL 7012

| Mod.     | D/d  | Max pressure at 23°C (bar) | Weight (g/m) | Bend radius (mm) | Lot (m) |
|----------|------|----------------------------|--------------|------------------|---------|
| TPC 4/2  | 4/2  | 19                         | 11.5         | 11               | 100     |
| TPC 6/4  | 6/4  | 13                         | 19.2         | 18               | 100     |
| TPC 8/6  | 8/6  | 9                          | 26.8         | 35               | 100     |
| TPC 10/8 | 10/8 | 7                          | 34.5         | 45               | 100     |
| TPC 12/8 | 12/8 | 9                          | 76.6         | 50               | 100     |

### Tubes Mod. TSP



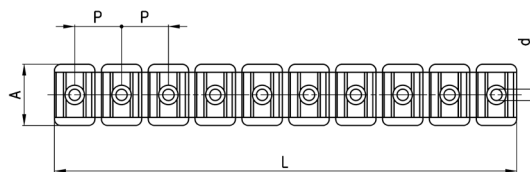
Spiral in Rilsan (PA 12)

Standard colour: Blue  
Other colours available on request

| Mod.      | D/d   | max pressure at 20°C (bar) | External Ø | Closed length (mm) | Open length (mm) |
|-----------|-------|----------------------------|------------|--------------------|------------------|
| TSP 6/4   | 6/4   | 20                         | 64         | 1000               | 15000            |
| TSP 8/6   | 8/6   | 14                         | 86         | 1000               | 15000            |
| TSP 10/8  | 10/8  | 11                         | 102        | 1050               | 15000            |
| TSP 12/10 | 12/10 | 9                          | 126        | 1050               | 15000            |

### Plastic tubes clamps Mod. MPL

Colour: Blue



| Mod.   | Tube Ø | L   | A  | d   | P    | Number of positions |
|--------|--------|-----|----|-----|------|---------------------|
| MPL-4  | 4      | 114 | 19 | 2.8 | 11.7 | 10                  |
| MPL-6  | 6      | 114 | 19 | 2.8 | 11.7 | 10                  |
| MPL-8  | 8      | 143 | 19 | 3.8 | 14.6 | 10                  |
| MPL-10 | 10     | 172 | 19 | 5.3 | 17.4 | 10                  |
| MPL-12 | 12     | 162 | 19 | 5.3 | 20.5 | 8                   |
| MPL-14 | 14     | 180 | 19 | 5.3 | 22.5 | 8                   |

### Tube cutter tool Mod. PNZ... and PNZP-12

Tubes cutter Mod. PNZ...: replacement blades can be ordered separately.

Tubes cutter Mod. PNZP-12: plastic.



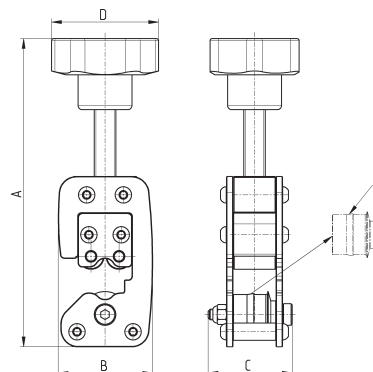
PNZ-...



PNZP-12

| Mod.    |                                      |
|---------|--------------------------------------|
| PNZ-12  | able to cut tubes with Ø up to 12 mm |
| PNZ-25  | able to cut tubes with Ø up to 25 mm |
| PNZP-12 | able to cut tubes with Ø up to 12 mm |

### Grooving tool for metallic tubes



| Mod.    | Tube Ø | A (max) | B    | C  | D  | Weight (g) | E (spare wheel) |
|---------|--------|---------|------|----|----|------------|-----------------|
| 8TRT 4  | 4      | 138     | 43.5 | 39 | 50 | 450        | RTRT 4          |
| 8TRT 6  | 6      | 140     | 43.5 | 39 | 50 | 450        | RTRT 6          |
| 8TRT 8  | 8      | 143     | 44   | 39 | 50 | 450        | RTRT 8          |
| 8TRT 10 | 10     | 145     | 44   | 39 | 50 | 450        | RTRT 10         |
| 8TRT 12 | 12     | 147     | 44.5 | 39 | 50 | 450        | RTRT 12         |
| 8TRT 14 | 14     | 149     | 45   | 39 | 50 | 450        | RTRT 14         |
| 8TRT 16 | 16     | 151     | 45   | 39 | 50 | 450        | RTRT 16         |