

Flat suction pads Series VSCF

New

Universal suction pads in NBR or Silicone.

Diameters from 1 to 100 mm with thread size M3, M5, G1/8, G1/4, both male and female.

SERIES VSCF FLAT SUCTION PADS



- » Low profile, with reduced intrinsic volume which enables very short cycle times.
- » Compact design for good resistance to transversal forces, enhancing the stability of the piece.
- » Negligible movement of the piece during suction phase.

Series VSCF flat suction pads consist of a nipple and rubber part which are delivered assembled. Both components can be ordered separately as spare parts. From diameter 60 mm and up a mounting plate is vulcanised into the rubber part to which the nipple should be mounted.

These suction pads are generally used for handling objects with smooth or slightly curved surfaces such as sheet metals, extruded profiles, cardboard boxes, glass plates, plastic components, wood panels etc.

Applications:

- Handling of parts with flat or slightly curved surfaces like sheet metal for car body workshops, tubes, cardboard boxes, etc.
- Silicone version for the handling of parts at high temperatures

GENERAL DATA

Description	robust hard-wearing suction pads consisting of suction pad VSCF and connection nipple
Construction	- nipples and suction pads are supplied not assembled - diameters of 60 mm and more: nipple screwed into supporting plate vulcanised to the pad
Maintenance	it is possible to replace the soft element
Working temperature	NBR version: -30°C ÷ +120°C (for short time <30 sec.); -10°C ÷ +70°C (long-term) SILICONE version: -50°C ÷ +220°C (for short time <30 sec.); -30°C ÷ +180°C (long-term)

TECHNICAL DATA

Mod./Diameter	Suction force (N)*	Int. volume (cm ³)	Min. convex curvature radius (mm)	Internal tube diameter (mm)
VSCF-0010	0,03	0,000	2	2
VSCF-0015	0,08	0,001	2	2
VSCF-0020	0,15	0,002	2	2
VSCF-0030	0,30	0,003	8	2
VSCF-0040	0,40	0,005	8	2
VSCF-0050	0,90	0,013	8	2
VSCF-0060	1,40	0,020	8	2
VSCF-0080	2,40	0,044	8	2
VSCF-0100	4,00	0,070	13	2
VSCF-0120	5,00	0,120	13	2
VSCF-0150	9,00	0,220	20	4
VSCF-0180	13,00	0,370	20	4
VSCF-0200	15,00	0,500	20	4
VSCF-0250	23,00	0,900	25	4
VSCF-0300	34,00	1,600	35	4
VSCF-0350	46,00	2,400	40	4
VSCF-0400	61,00	3,800	50	4
VSCF-0500	95,00	7,100	75	4
VSCF-0600	140,00	12,700	75	6
VSCF-0700	198,00	18,000	100	6
VSCF-0800	254,00	25,100	100	6
VSCF-0900	328,00	34,300	150	6
VSCF-1000	402,00	46,400	200	6

CODING EXAMPLE

VS	C	F	-	0010	N	-	M3	M
-----------	----------	----------	----------	-------------	----------	----------	-----------	----------

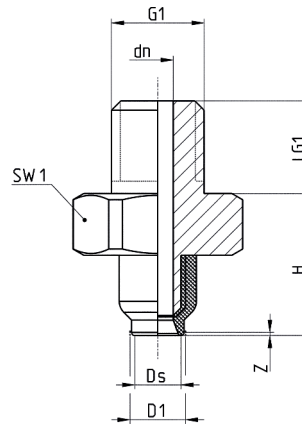
VS	SERIES VS = suction pad
C	SHAPE C = round
F	VERSION F = flat
0010	DIAMETERS 0010 = 1,0 mm 0015 = 1,5 mm 0020 = 2,5 mm 0030 = 3,0 mm 0040 = 4,0 mm 0050 = 5,0 mm 0060 = 6,0 mm 0080 = 8,0 mm 0090 = 9,0 mm 0100 = 10,0 mm 0120 = 12,0 mm 0150 = 15,0 mm 0180 = 18,0 mm 0200 = 20,0 mm 0250 = 25,0 mm 0300 = 30,0 mm 0350 = 35,0 mm 0400 = 40,0 mm 0500 = 50,0 mm 0600 = 60,0 mm 0700 = 70,0 mm 0800 = 80,0 mm 0900 = 90,0 mm 1000 = 100,0 mm
N	MATERIALS N = NBR S = silicone
M3	THREAD SIZE M3 = M3 M5 = M5 1/8 = G1/8 1/4 = G1/4
M	THREAD M = male F = female

SERIES VSCF FLAT SUCTION PADS

Suction pad VSCF-0010 to 0040 - male thread



* = (N) for suction pad in NBR - (S) for suction pad in Silicone
(add the required letter when placing an order)

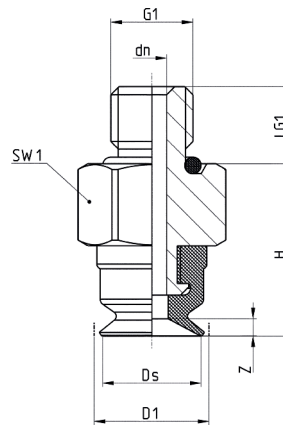


Mod.	G1	D1	dn	Ds	H	LG1	SW1	Z	Suction pad	Nipple
VSCF-0010 [*] -M3M	M3 M	1,1	1,0	1,0	4,6	3,0	5	0,1	VSCF-0010 [*]	NPS-A-M3-M
VSCF-0015 [*] -M3M	M3 M	1,7	1,0	1,5	4,6	3,0	5	0,1	VSCF-0015 [*]	NPS-A-M3-M
VSCF-0020 [*] -M3M	M3 M	2,4	1,0	2,0	5,5	3,0	5	0,2	VSCF-0020 [*]	NPS-A-M3-M
VSCF-0030 [*] -M3M	M3 M	3,7	1,0	3,0	5,5	3,0	5	0,3	VSCF-0030 [*]	NPS-A-M3-M
VSCF-0040 [*] -M3M	M3 M	4,7	1,0	4,0	5,5	3,0	5	0,4	VSCF-0040 [*]	NPS-A-M3-M

Suction pad VSCF-0050 to 0080 - male thread



* = (N) for suction pad in NBR - (S) for suction pad in Silicone
(add the required letter when placing an order)

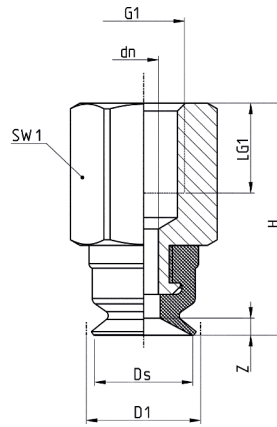


Mod.	G1	D1	dn	Ds	H	LG1	SW1	Z	Suction pad	Nipple
VSCF-0050 [*] -M5M	M5 M	5,7	1,8	5,0	10,5	4,7	8	0,5	VSCF-0050 [*]	NPS-C-M5-M
VSCF-0060 [*] -M5M	M5 M	6,8	1,8	6,0	10,5	4,7	8	0,6	VSCF-0060 [*]	NPS-C-M5-M
VSCF-0080 [*] -M5M	M5 M	8,4	1,8	8,0	10,5	4,7	8	0,8	VSCF-0080 [*]	NPS-C-M5-M

Suction pad VSCF-0050 to 0080 - female thread



* = (N) for suction pad in NBR - (S) for suction pad in Silicone
(add the required letter when placing an order)

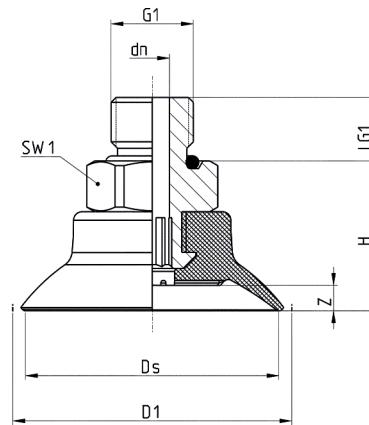


Mod.	G1	D1	dn	Ds	H	LG1	SW1	Z	Suction pad	Nipple
VSCF-0050 [*] -M5F	M5 F	5,7	1,8	5,0	14,2	5,5	8	0,5	VSCF-0050 [*]	NPS-C-M5-F
VSCF-0060 [*] -M5F	M5 F	6,8	1,8	6,0	14,2	5,5	8	0,6	VSCF-0060 [*]	NPS-C-M5-F
VSCF-0080 [*] -M5F	M5 F	8,4	1,8	8,0	14,2	5,5	8	0,8	VSCF-0080 [*]	NPS-C-M5-F

Suction pad VSCF-0100 to 0400 - male thread



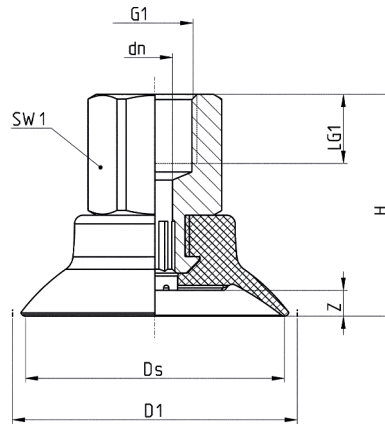
* = (N) for suction pad in NBR - (S) for suction pad in Silicone
(add the required letter when placing an order)



Mod.	G1	D1	dn	Ds	H	LG1	SW1	Z	Suction pad	Nipple
VSCF-0100 [*] -M5M	M5 M	11,2	1,8	10,0	13,4	4,7	8	1,0	VSCF-0100 [*]	NPS-B-M5-M
VSCF-0120 [*] -M5M	M5 M	13,2	1,8	12,0	13,6	4,7	8	1,2	VSCF-0120 [*]	NPS-B-M5-M
VSCF-0150 [*] -1/8M	G1/8 M	16,8	3,1	15,0	15,0	7,5	14	1,5	VSCF-0150 [*]	NPS-F-1/8-M
VSCF-0180 [*] -1/8M	G1/8 M	20,6	3,1	18,0	15,3	7,5	14	1,8	VSCF-0180 [*]	NPS-F-1/8-M
VSCF-0200 [*] -1/8M	G1/8 M	22,8	3,1	20,0	15,5	7,5	14	2,0	VSCF-0200 [*]	NPS-F-1/8-M
VSCF-0250 [*] -1/8M	G1/8 M	28,2	4,1	25,0	17,2	7,5	14	2,5	VSCF-0250 [*]	NPS-G-1/8-M
VSCF-0300 [*] -1/8M	G1/8 M	33,3	4,1	30,0	17,7	7,5	14	3,0	VSCF-0300 [*]	NPS-G-1/8-M
VSCF-0350 [*] -1/8M	G1/8 M	39,2	4,1	35,0	22,1	7,5	17	3,5	VSCF-0350 [*]	NPS-E-1/8-M
VSCF-0400 [*] -1/8M	G1/8 M	44,0	4,1	40,0	23,2	7,5	17	4,0	VSCF-0400 [*]	NPS-E-1/8-M

Suction pad VSCF-0100 to 0400 - female thread

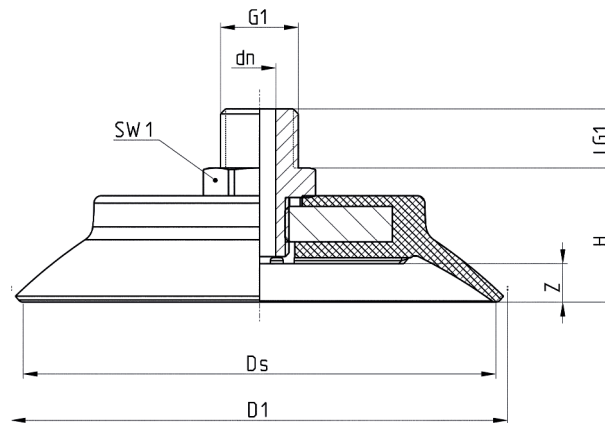
* = (N) for suction pad in NBR - (S) for suction pad in Silicone
(add the required letter when placing an order)



Mod.	G1	D1	dn	Ds	H	LG1	SW1	Z	Suction pad	Nipple
VSCF-0100 [±] -M5F	M5 F	11,2	3,1	10,0	18,4	4,7	8	1,0	VSCF-0100*	NPS-B-M5-F
VSCF-0120 [±] -M5F	M5 F	13,2	3,1	12,0	18,6	4,7	8	1,2	VSCF-0120*	NPS-B-M5-F
VSCF-0150 [±] -1/8F	G1/8 F	16,8	3,1	15,0	23,0	8,0	14	1,5	VSCF-0150*	NPS-E-1/8-F
VSCF-0180 [±] -1/8F	G1/8 F	20,6	3,1	18,0	23,3	8,0	14	1,8	VSCF-0180*	NPS-E-1/8-F
VSCF-0200 [±] -1/8F	G1/8 F	22,8	3,1	20,0	23,5	8,0	14	2,0	VSCF 0200*	NPS-E-1/8-F
VSCF-0250 [±] -1/8F	G1/8 F	28,2	4,1	25,0	25,2	8,0	14	2,5	VSCF 0250*	NPS-G-1/8-F
VSCF-0300 [±] -1/8F	G1/8 F	33,3	4,1	30,0	25,7	8,0	14	3,0	VSCF 0300*	NPS-G-1/8-F
VSCF-0350 [±] -1/8F	G1/8 F	39,2	6,1	35,0	28,9	8,0	17	3,5	VSCF 0350*	NPS-F-1/8-F
VSCF-0400 [±] -1/8F	G1/8 F	44,0	6,1	40,0	30,0	8,0	17	4,0	VSCF 0400*	NPS-F-1/8-F

Suction pad VSCF-0500 to 1000 - male thread

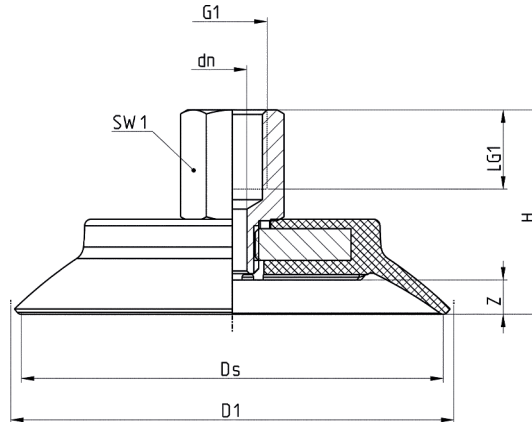
* = (N) for suction pad in NBR - (S) for suction pad in Silicone
(add the required letter when placing an order)



Mod.	G1	D1	dn	Ds	H	LG1	SW1	Z	Suction pad	Nipple
VSCF-0500 [±] -1/8M	G1/8 M	54,3	4,1	50,0	24,2	7,5	17	5,0	VSCF-0500*	NPS-E-1/8-M
VSCF-0600 [±] -1/4M	G1/4 M	66,4	5,1	60,0	22,0	10,0	17	5,5	VSCF-0600*	NPV-N-1/4-M
VSCF-0700 [±] -1/4M	G1/4 M	77,2	5,1	70,0	22,5	10,0	17	6,0	VSCF-0700*	NPV-N-1/4-M
VSCF-0800 [±] -1/4M	G1/4 M	87,1	5,1	80,0	23,0	10,0	17	6,5	VSCF-0800*	NPV-N-1/4-M
VSCF-0900 [±] -1/4M	G1/4 M	98,1	5,1	90,0	23,2	10,0	17	7,0	VSCF-0900*	NPV-N-1/4-M
VSCF-1000 [±] -1/4M	G1/4 M	108,0	5,1	100,0	24,0	10,0	17	7,5	VSCF-01000*	NPV-N-1/4-M

Suction pad VSCF-0500 to 1000 - female thread

* = (N) for suction pad in NBR - (S) for suction pad in Silicone
(add the required letter when placing an order)



Mod.	G1	D1	dn	Ds	H	LG1	SW1	Z	Suction pad	Nipple
VSCF-0500 ^{*(N)} -1/8F	G1/8 F	54,3	6,1	50,0	31,0	8,0	17	5,0	VSCF-0500*	NPS-F-1/8-F
VSCF-0600 ^{*(N)} -1/4F	G1/4 F	66,4	5,1	60,0	33,9	12,0	17	5,5	VSCF-0600*	NPV-N-1/4-F
VSCF-0700 ^{*(N)} -1/4F	G1/4 F	77,2	5,1	70,0	34,4	12,0	17	6,0	VSCF-0700*	NPV-N-1/4-F
VSCF-0800 ^{*(N)} -1/4F	G1/4 F	87,1	5,1	80,0	34,9	12,0	17	6,5	VSCF-0800*	NPV-N-1/4-F
VSCF-0900 ^{*(N)} -1/4F	G1/4 F	98,1	5,1	90,0	35,4	12,0	17	7,0	VSCF-0900*	NPV-N-1/4-F
VSCF-1000 ^{*(N)} -1/4F	G1/4 F	108,0	5,1	100,0	35,9	12,0	17	7,5	VSCF-01000*	NPV-N-1/4-F