

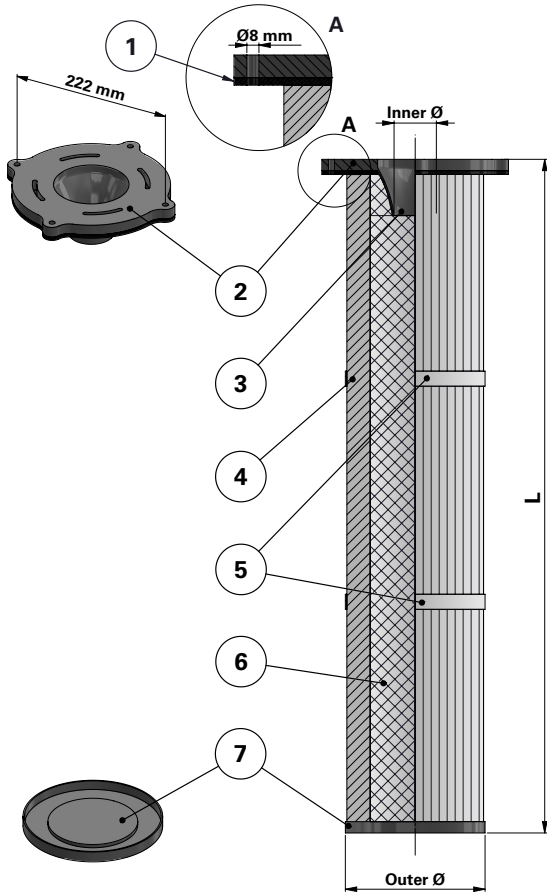
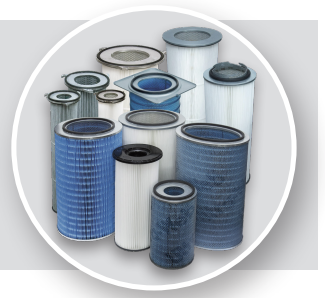


Donaldson  
FILTRATION SOLUTIONS

## DATA SHEET

### Replacement Elements

Category – Dantherm Style



### Dantherm Style

Cartridge Filter with open top end cap and closed bottom end cap

Special features: With 4 bolts and Clean Air Plenum installation for Nederman/Dantherm and other brands of cartridge collectors

Without outer liner

| Item | Description    |
|------|----------------|
| 1    | Flat gasket    |
| 2    | Top end cap    |
| 3    | Venturi        |
| 4    | Media pack     |
| 5    | Straps         |
| 6    | Inner liner    |
| 7    | Bottom end cap |

| Dimensions [mm] |      |
|-----------------|------|
| Outer Ø         | 185  |
| Inner Ø         | 60   |
| L               | 500  |
|                 | 870  |
|                 | 1390 |

Order online

shop.Donaldson.com

Contact us

Donaldson.com

Publication DOCAM0818401 • Rev. 00 • 0318

Donaldson reserves the right to change or discontinue any model or specification at any time and without notice. Freedom from patent restrictions must not be assumed.