

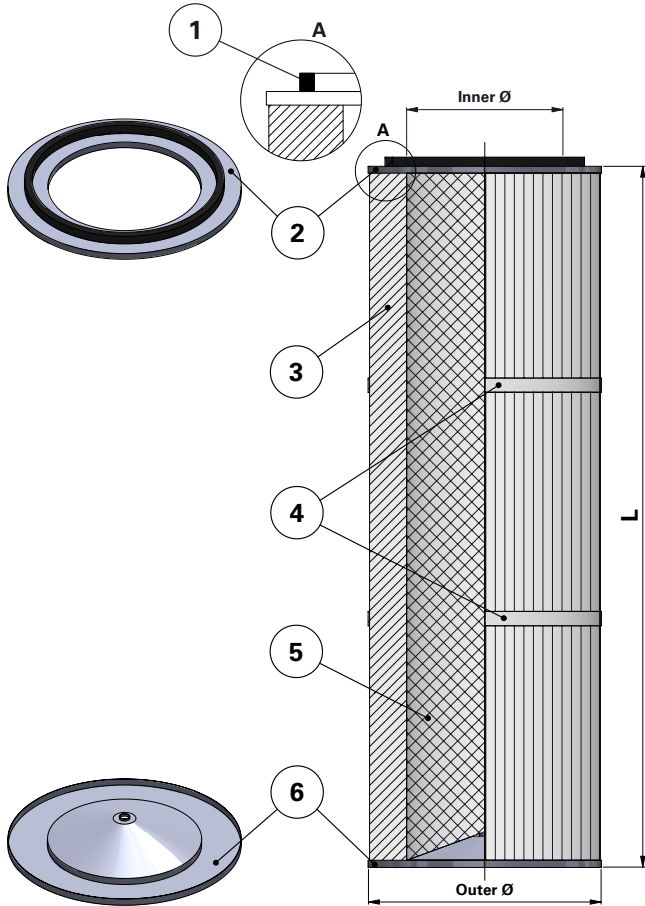
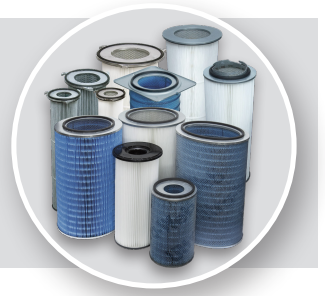


Donaldson
FILTRATION SOLUTIONS

DATA SHEET

Replacement Elements

Cartridges – Series 324 – Open Closed with Hole



Series 324 – Open Closed with Hole

Cartridge Filter with open top end cap and closed bottom end cap with hole of 13–13.5 mm

For Series 324 and other brands of cartridge collectors

Without outer liner

Item	Description
1	Gasket
2	Top end cap
3	Media pack
4	Straps
5	Inner liner
6	Bottom end cap with Ø13–13.5 mm hole

Dimensions [mm]

Outer Ø	324
Inner Ø	213
L	600
	660
	1000
	1200

Order online

shop.Donaldson.com

Contact us

Donaldson.com

Publication DOCAM0824401 • Rev. 00 • 0218

Donaldson reserves the right to change or discontinue any model or specification at any time and without notice. Freedom from patent restrictions must not be assumed.