

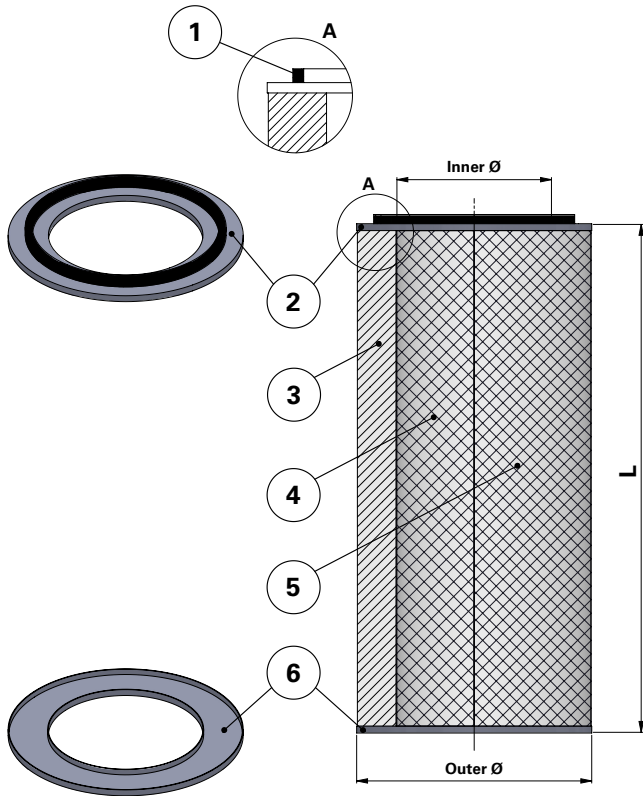
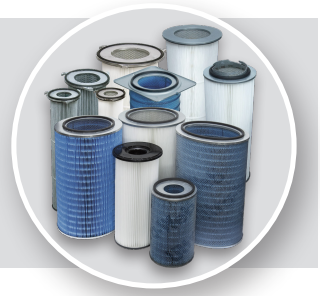


Donaldson
FILTRATION SOLUTIONS

DATA SHEET

Replacement Elements

Cartridges – Series 352 – 2 Open End Caps



Series 352 – 2 Open End Caps

Cartridge Filter with open top end cap
and open bottom end cap

For different brands of cartridge collectors

With outer liner

| Item | Description |
|------|---------------------|
| 1 | Gasket |
| 2 | Top end cap |
| 3 | Media pack |
| 4 | Inner liner |
| 5 | Outer liner |
| 6 | Bottom end cap open |

Dimensions [mm]

| | |
|---------|-----|
| Outer Ø | 352 |
| Inner Ø | 240 |
| L | 600 |
| | 762 |

Order online

shop.Donaldson.com

Contact us

Donaldson.com

Publication DOCAM0823501 • Rev. 00 • 0218

Donaldson reserves the right to change or discontinue any model or specification at any time and without notice. Freedom from patent restrictions must not be assumed.