

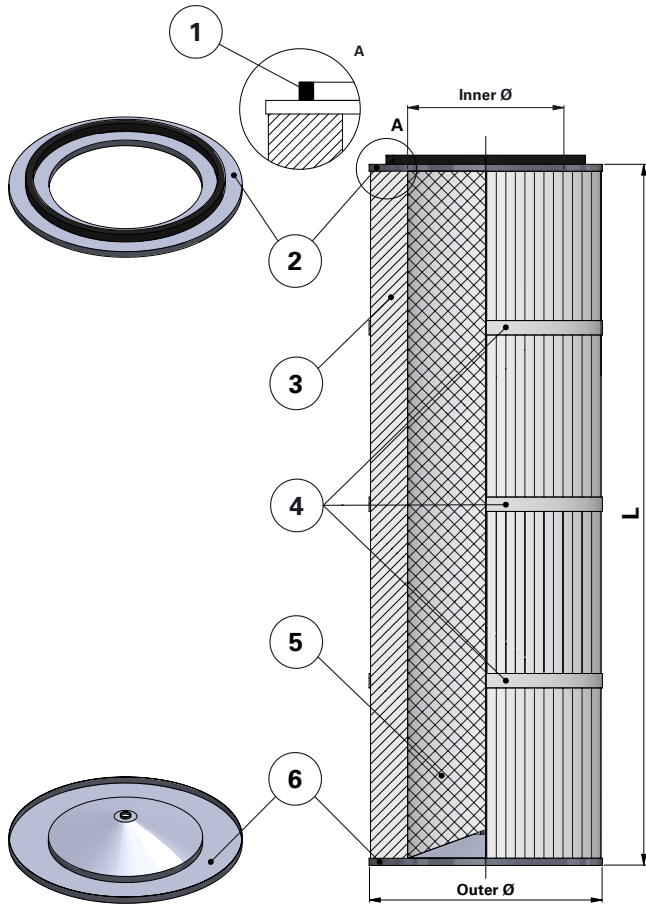
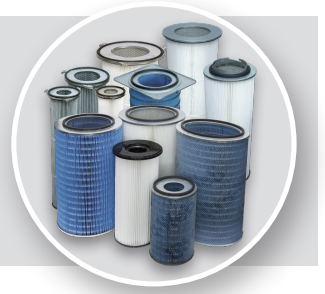


Donaldson  
FILTRATION SOLUTIONS

## DATA SHEET

### Replacement Elements

Cartridges – Series Kemper 327 – Open Closed with Hole



### Series Kemper 327 – Open Closed with Hole

Cartridge Filter with open top end cap and closed bottom end cap with hole of 13.5 mm

For Kemper and other brands of cartridge collectors

Without outer liner

Item	Description
1	Gasket
2	Top end cap
3	Media pack
4	Straps
5	Inner liner
6	Bottom end cap with Ø13.5 mm hole

### Dimensions [mm]

Outer Ø	327
Inner Ø	217
L	1200

Order online

shop.Donaldson.com

Contact us

Donaldson.com

Publication DOCAM0825201 • Rev. 00 • 0218

Donaldson reserves the right to change or discontinue any model or specification at any time and without notice. Freedom from patent restrictions must not be assumed.