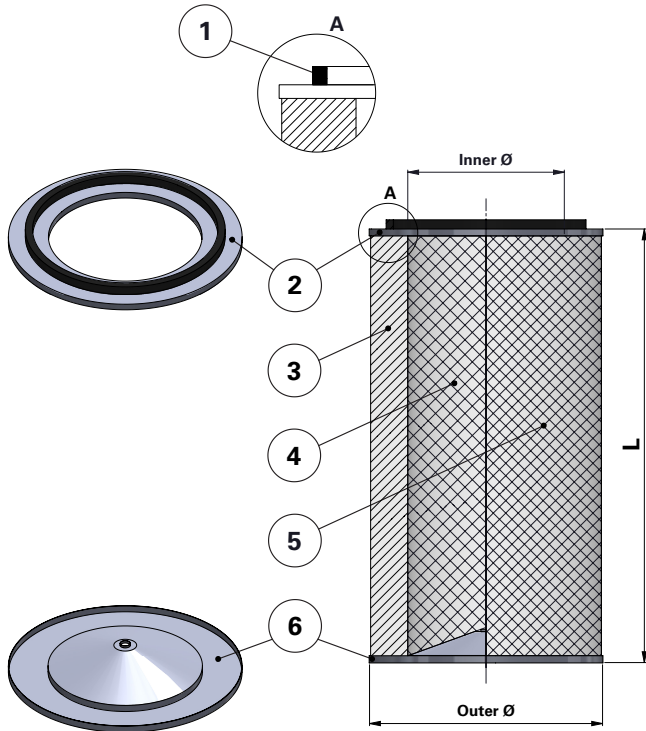
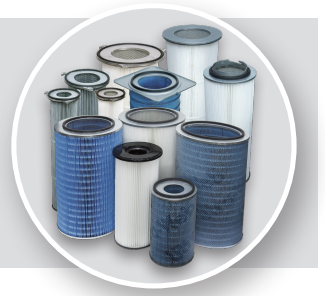




DATA SHEET

Replacement Elements

Cartridges – Series Kemper 352 – Open Closed with Hole



Series Kemper 352 – Open Closed with Hole

Cartridge Filter with open top end cap and closed bottom end cap with hole of 16 mm

For Kemper and other brands of cartridge collectors

With outer liner

Item	Description
1	Gasket
2	Top end cap
3	Media pack
4	Inner liner
5	Outer liner
6	Bottom end cap with Ø16 mm hole

Dimensions [mm]

Outer Ø	352
Inner Ø	240
L	600

Order online

shop.Donaldson.com

Contact us

Donaldson.com

Publication DOCAM0825801 • Rev. 00 • 0218

Donaldson reserves the right to change or discontinue any model or specification at any time and without notice. Freedom from patent restrictions must not be assumed.