

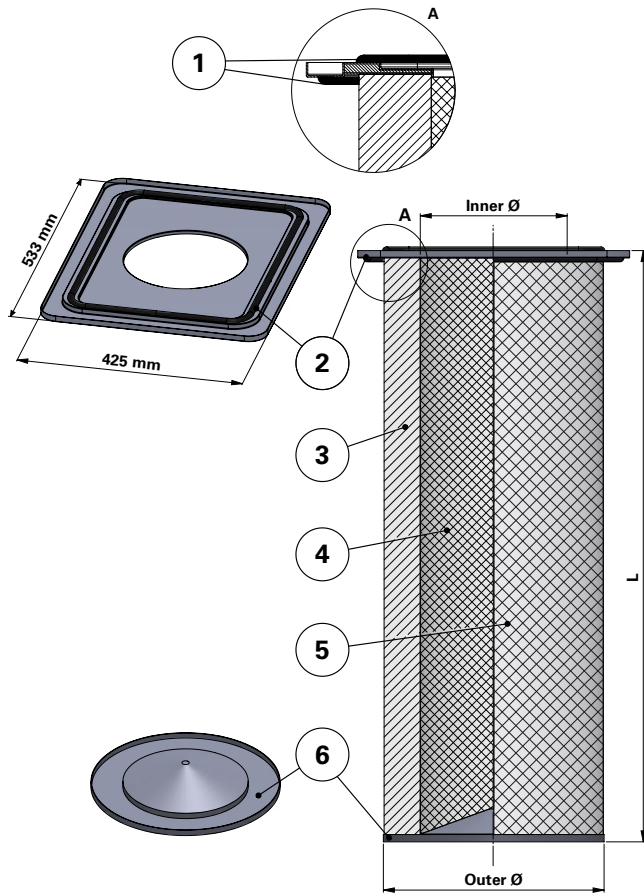
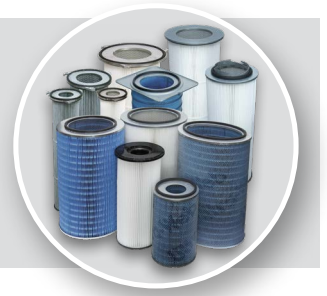


Donaldson
FILTRATION SOLUTIONS

DATA SHEET

Replacement Elements

Cartridges – Farr Gold Series (425×533) – Open Closed



Farr Gold Series (425 x 533) - Open Closed

Cartridge Filter with open end cap and closed bottom end cap with 425 x 533 Rectangle Flange

Special feature: Gasket on top and below flange

For Camfil-Farr and other brands of cartridge collectors

Available with and without outer liner

Item	Description
1	Gaskets
2	Top flange
3	Media pack
4	Inner liner
5	Outer liner
6	Bottom end cap closed

Dimensions [mm]

Outer Ø	373
Inner Ø	235
L	991
Flange	425 × 533

Order online

shop.Donaldson.com

Contact us

Donaldson.com

Publication DOCAM0835901 • Rev. 00 • 0819

Donaldson reserves the right to change or discontinue any model or specification at any time and without notice. Freedom from patent restrictions must not be assumed.