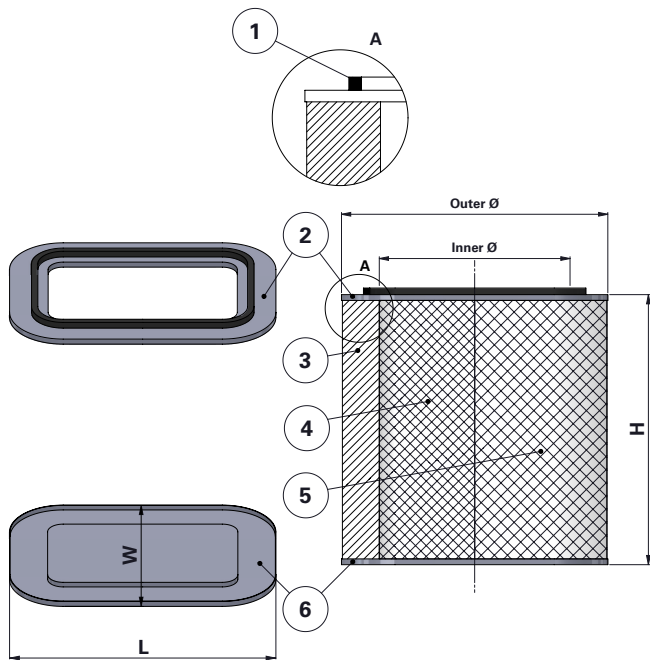




DATA SHEET

Replacement Elements

Cartridges – WSO 10, 15, 20, 25 – Open Closed



WSO 10, 15, 20, 25 – Open Closed

Straight Oil Primary Cartridge Filter
 Smoke Primary Cartridge Filter
 Soluble Water Primary Cartridge Filter

For WSO 10, 15, 20, 25 and other brands of cartridge collectors

With outer liner

Item	Description
1	Gasket
2	Top end cap
3	Media pack with aluminum separator
4	Inner liner
5	Outer liner
6	Bottom end cap closed

	Dimensions [mm]			
	WSO 10	WSO 15	WSO 20	WSO 25
H	254	382	509	636
L	387	502	502	603
W	241	362	362	464

Order online

shop.Donaldson.com

Contact us

Donaldson.com

Publication DOCAM0829401 • Rev. 00 • 0318

Donaldson reserves the right to change or discontinue any model or specification at any time and without notice. Freedom from patent restrictions must not be assumed.