

SUMMARY New deal

- GENERAL TECHNICAL DATA New deal

C4.4



- New deal FILTER

C4.6



- New deal DEPURATOR

C4.9



- New deal REGULATOR

C4.11



- New deal PADLOCKABLE REGULATOR

C4.14



- New deal PILOT-OPERATED REGULATOR

C4.16



- New deal REGULATOR AND REGULATOR WITH V3V 3/4"-1"

C4.17



- New deal FILTER REGULATOR

C4.20



- New deal LUBRICATOR

C4.23



- New deal SHUT-OFF VALVE

C4.26



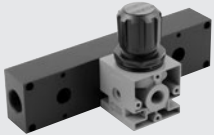
- New deal 3/4"-1" SHUT-OFF VALVE

C4.28



● New deal AIR TAKE-OFF

 C4.30



● New deal SUB-BASE

 C4.31



● New deal AUTOMATIC CONDENSATE DRAIN

 C4.32



● FIL + REG + LUB New deal

 C4.33




● FRPL 3/4"-1" New deal

 C4.35



● FR + LUB New deal

 C4.37



● V3V + FR + LUB New deal

 C4.39



● FIL + DEP New deal

 C4.41



● FIL + LUB New deal

 C4.43

● New deal ACCESSORIES

 C4.45

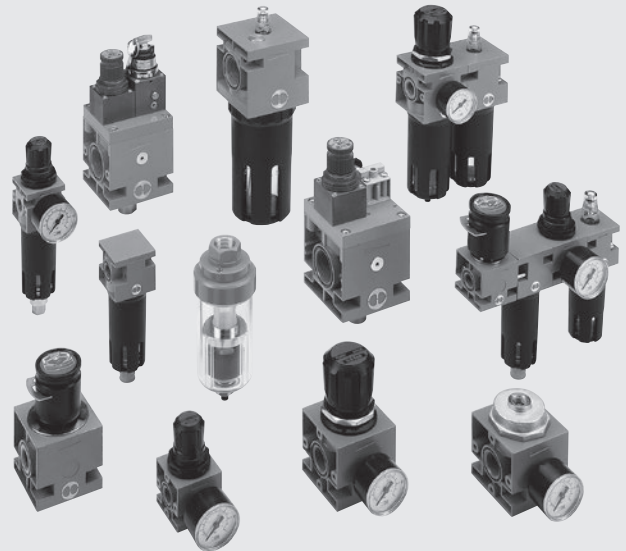
● New deal SPARE PARTS

 C4.47

GENERAL TECHNICAL DATA **Newdeal**

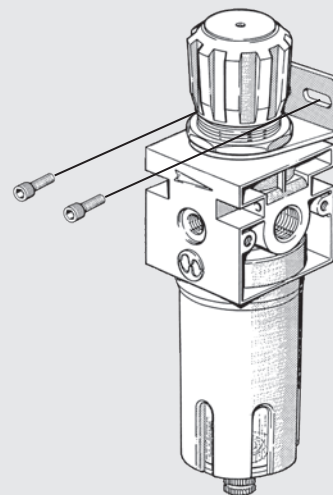
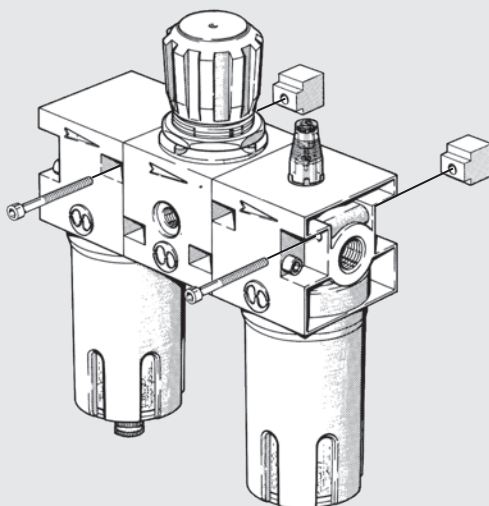
Newdeal is the forerunner of all air treatment units by Metal Work. The entire range is top quality, heavy-duty and reliable. These units are designed for use at high pressures* and in applications where the temperature and quality of the ambient area are critical.

*For further details, refer to the Specification for the item in question.

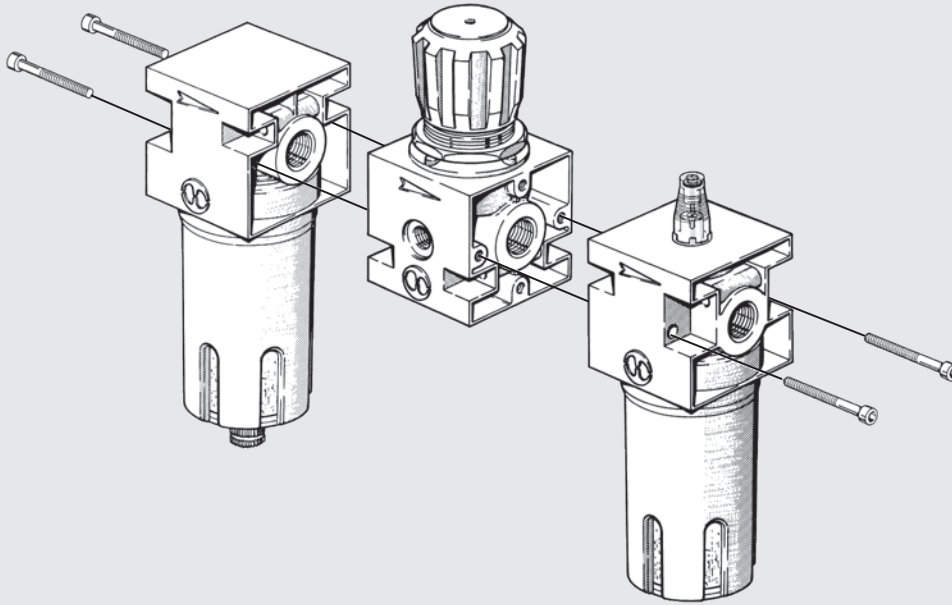


TECHNICAL DATA	ND 1/4"	ND 3/8"	ND 1/2"	ND 3/4"	ND 1"
Threaded port	1/4"	3/8"	1/2"	3/4"	1"
Degree of filtration	µm				
Degree of purification	µm				
Setting range	bar				
Max. input pressure	MPa				
	bar				
	psi				
Flow rate at 6.3 bar (0.63 MPa to 91 psi) ΔP 0.5 bar (0.05 MPa to 7 psi)	NI/min				
Fluid	Lubricated or unlubricated compressed air				
Temperature range at 1 MPa; 10 bar; 145 psi	°C				
	°F				
Elements comprising the range	Filter, Depurator, Regulator, Pilot operated Regulator, In-series Regulator, Filter-regulator, Lubricator, Circuit Shut-off Valve				
Compatibility with oils	See chapter Z1				

WALL MOUNTING



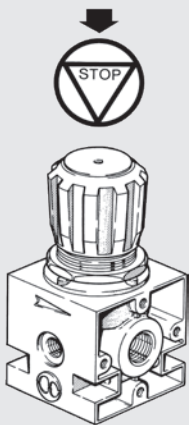
ASSEMBLY DIAGRAM



ASSEMBLY TIE RODS

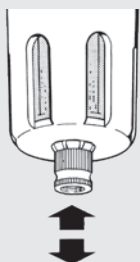
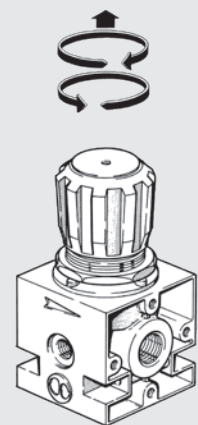
	Elements that can be assembled	1/4			3/8 - 1/2			3/4 - 1		
		Type	Code	Ref.	Type	Code	Ref.	Type	Code	Ref.
A		A	9250001	CVA 1/4 4x40	A	9450001	CVA 1/2 5x55	A	9650001	CVA 1 6x70
B		A	9250001	CVA 1/4 4x40	A	9450002	CVA 1/2 5x60	-	-	-
C		A	9250002	CVA 1/4 4x82	A	9450003	CVA 1/2 5x120	C	9604402	V3V + F + RT 3/4-1
		B	9200901	F + LT 1/4	B	9400901	F + LT 3/8-1/2	B	9600901	F + LT 3/4-1

GENERAL RULES - USE AND MAINTENANCE

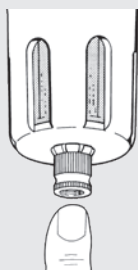


The knob can be locked so that the set pressure cannot be altered.

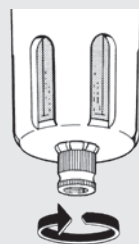
The air pressure must always be set upwards.



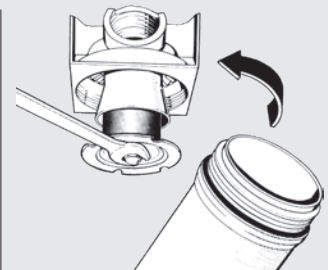
With the knob in the centre position, the drain is semi-automatic. The drain operates when the bowl is not pressurized and closes when it is.



Press the button to drain condensate when the bowl is pressurized.



Turn the knob anticlockwise to close the valve with bowl pressurized or not pressurized.



To clean or replace the filter element unscrew the screen of the centrifuge assembly. Use a no. 3 compass spanner to unscrew the bowl.

Newdeal FILTER

Filter with different impurity filtration degrees.

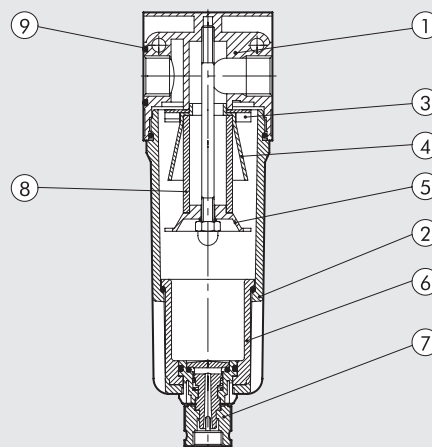
- Metal bowl with external viewing
- Semi-automatic and condensate drainage



TECHNICAL DATA		FIL ND 1/4"	FIL ND 3/8"	FIL ND 1/2"	FIL ND 3/4"	FIL ND 1"
Threaded port		1/4"	3/8"	1/2"	3/4"	1"
Degree of filtration	µm	4 - 20 - 50	4 - 20 - 50	4 - 20 - 50	4 - 20 - 50	4 - 20 - 50
Max. inlet pressure	MPa	1.8	1.8	1.8	1.8	1.8
	bar	18	18	18	18	18
	psi	261	261	261	261	261
Flow rate at 6.3 bar (0.63 MPa to 91 psi) ΔP 0.5 bar (0.05 MPa to 7 psi)	Nl/min	1300	3100	3100	9100	9100
	scfm	46	110	110	324	324
Flow rate at 6.3 bar (0.63 MPa to 91 psi) ΔP 1 bar (0.1 MPa to 14 psi)	Nl/min	1720	4100	4100	11000	11000
	scfm	61	146	146	391	391
Max temperature at 1 MPa; 10 bar; 145 psi	°C	50°	50°	50°	50°	50°
	°F	122°	122°	122°	122°	122°
Weight	kg	0.4	0.9	0.9	1.2	1.2
Wall fixing screws		M4 x 40	M4 x 55	M4 x 55	M6 x 75	M6 x 75
Bowl capacity	cm ³	10	45	45	170	170
Mounting position		Vertical	Vertical	Vertical	Vertical	Vertical
Drain		RMSA - SAC	RMSA - SAC - RA	RMSA - SAC - RA	RMSA - RA	RMSA - RA
		RMSA: drain with manual condensate discharge and automatic discharge at zero pressure.				
		RA: automatic drain with condensate discharge, independent of pressure and flow rate. Version conveys the draining by inserting the pipe having internal diameter 6 mm in the lower port.				
		SAC: automatic drain with condensate discharge.				
		Operates by pressure drop – requires variable air take-offs.				
		Compressed air				
Fluid		The maximum inlet pressure for the version with RA automatic condensate drainage must not exceed 10 bar.				
Note on use						

COMPONENTS

- ① Zamak body
- ② Aluminium bowl
- ③ Technopolymer centrifuge
- ④ Technopolymer baffle plug
- ⑤ Technopolymer screen
- ⑥ Clear technopolymer bowl
- ⑦ Drain (RMSA)
- ⑧ HDPE bronze filter cartridge (1/4 - 3/8 - 1/2), sintered bronze (1")
- ⑨ NBR gaskets

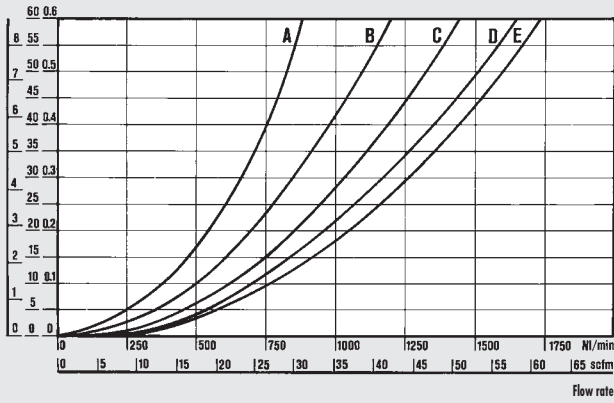


FLOW CHARTS

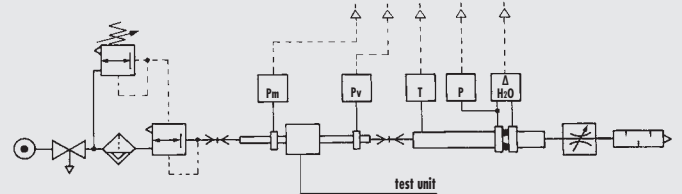
FIL 1/4

$\Delta P = (P_m - P_v)$

psi kPa bar



Department of Mechanics
Turin Polytechnic



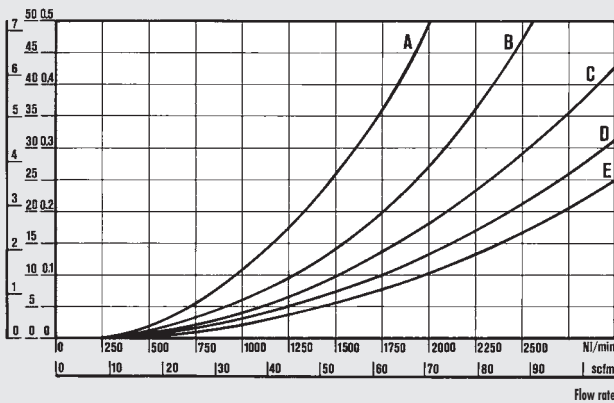
• Flow tests carried out at the Department of Mechanics, Turin Polytechnic, using the computerized test bench following CETOP RP50R recommendations (ISO DIS 6358-2-approved) with ISO 5167 diaphragm gauge.

- (A) = 2 bar - 0.2 MPa - 29 psi
- (B) = 4 bar - 0.4 MPa - 58 psi
- (C) = 6 bar - 0.6 MPa - 87 psi
- (D) = 8 bar - 0.8 MPa - 116 psi
- (E) = 10 bar - 1 MPa - 145 psi

FIL 3/8 - 1/2

$\Delta P = (P_m - P_v)$

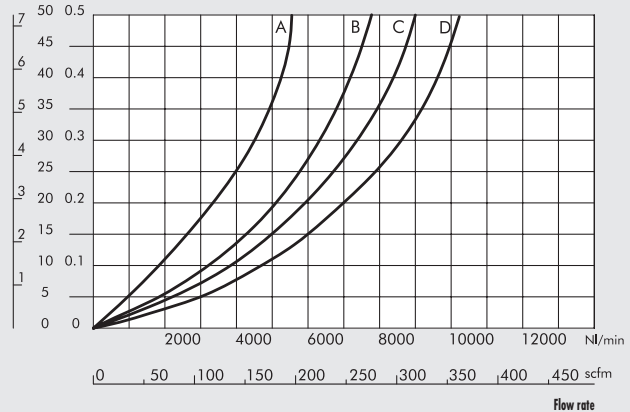
psi kPa bar



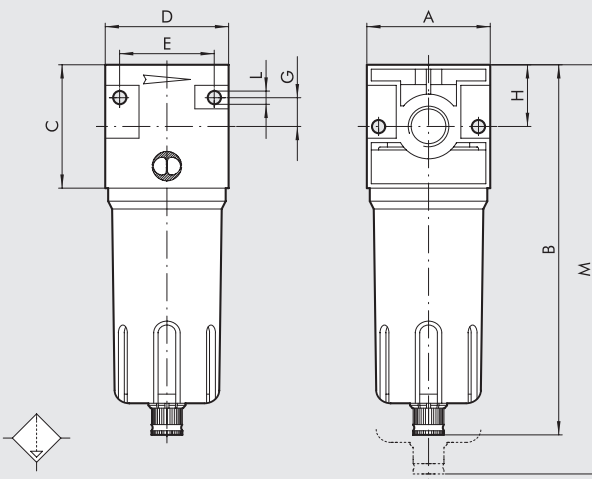
FIL 3/4 - 1"

$\Delta P = (P_m - P_v)$

psi kPa bar



DIMENSIONS



		FIL ND 1/4"	FIL ND 3/8"	FIL ND 1/2"	FIL ND 3/4"	FIL ND 1"
Threaded port		1/4"	3/8"	1/2"	3/4"	1"
A		42	60		80	
B	RMSA	142	180		235	
	RA	-	184		239	
	SAC	146	184		239	
C		42	60		80	
D		42	60		80	
E		32	46		66	
G		10	14		22	
H		21	30		40	
L		Hole for M4 screws	Hole for M4 screws		Hole for M6 screws	
M	RMSA	185	230		325	
	RA	-	234		329	
	SAC	189	234		329	

Newdeal DEPURATOR



- Oil-proof depurator with coalescing cartridge
- Metal bowl with external viewing
- Manual/semi-auto or automatic condensate drain



TECHNICAL DATA	DEP ND 3/8"	DEP ND 1/2"
Threaded port	3/8"	1/2"
Degree of depuration	99.97% α 0.01	
Max. inlet pressure	1.8 MPa	
	18 bar	
	261 psi	
Maximum suggested flow rate	please look at the flow rate curves	
Suggested flow rate at 6 bar	230 NI/min	
	8 scfm	
Fluid	Filtered air 4 μm	
Max temperature at 1 MPa; 10 bar; 145 psi	50 °C	
	122 °F	
Weight	0.9 kg	
Wall fixing screws	M4 x 55	
Bowl capacity	45 cm ³	
Mounting position	Vertical	
Drain	RMSA - SAC - RA	
	RMSA: drain with manual condensate discharge and automatic discharge at zero pressure. RA: automatic drain with condensate discharge, independent of pressure and flow rate. Version conveys the draining by inserting the pipe having internal diameter 6 mm in the lower port.	
	SAC: automatic drain with condensate discharge.	
	Operates by pressure drop - requires variable air take-offs.	
	It is advisable to mount a 4 μm filter upstream the depurator acting as a rough filter.	
	The maximum inlet pressure for the version with RA automatic condensate drainage must not exceed 10 bar.	
Note on use		

UNITS

New deal DEPURATOR

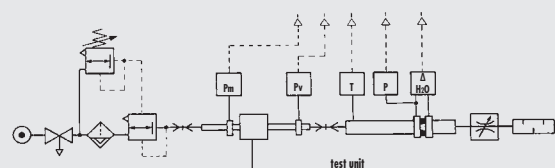
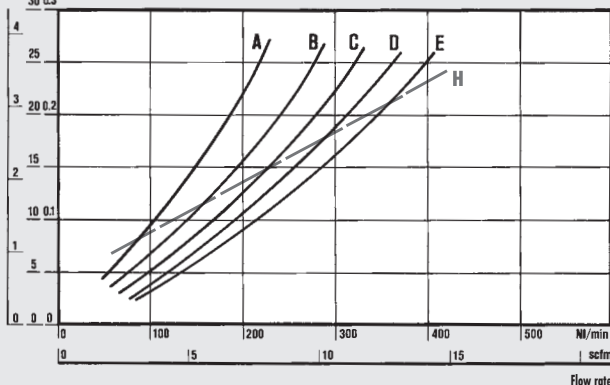
FLOW CHARTS

D 3/8 - 1/2

$\Delta P = (P_m - P_v)$

psi kPa bar

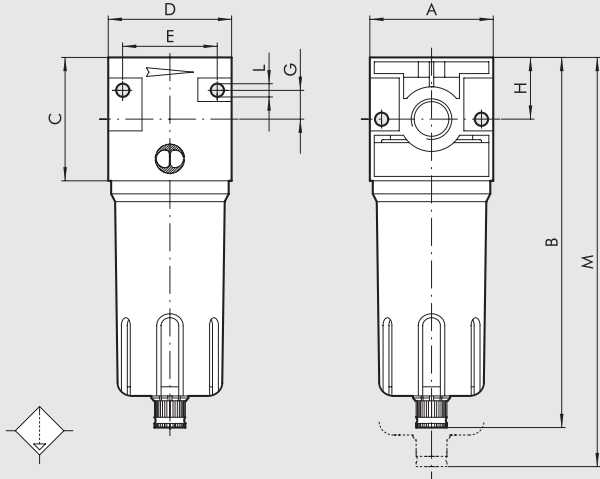
30 0.3



• Flow tests carried out at the Department of Mechanics, Turin Polytechnic, using the computerized test bench following CETOP RP50R recommendations (ISO DIS 6358-2-approved) with ISO 5167 diaphragm gauge.

- (A) = 2 bar - 0.2 MPa - 29 psi
- (B) = 4 bar - 0.4 MPa - 58 psi
- (C) = 6 bar - 0.6 MPa - 87 psi
- (D) = 8 bar - 0.8 MPa - 116 psi
- (E) = 10 bar - 1 MPa - 145 psi
- (H) = maximum flow rate recommended for optimal operation

DIMENSIONS



		DEP ND 3/8"	DEP ND 1/2"
Threaded port		3/8"	1/2"
A			60
B	RMSA		180
	RA		184
	SAC		184
C			60
D			60
E			46
G			14
H			30
L		Hole for M4 screws	
M	RMSA		230
	RA		234
	SAC		234

SYNOPTIC, SIZES AND VERSIONS

DEP ELEMENT	3/8 THREADED PORT	RMSA CONDENSATE DRAIN
DEP	3/8 1/2	RMSA RA SAC

RMSA: Manual/semi-auto drain

RA: Automatic drain. Float-type operation irrespective of the pressure and flow rate. Version conveys the draining by inserting the pipe having internal diameter 6 mm in the lower port.

SAC: Automatic drain. **Operates by pressure drop - requires variable air take-offs.**

ORDERING CODES

Code	Description
DEPURATOR 3/8"	
1322002	DEP 3/8 RMSA
1322003	DEP 3/8 RA
1322004	DEP 3/8 SAC
DEPURATOR 1/2"	
1422002	DEP 1/2 RMSA
1422003	DEP 1/2 RA
1422004	DEP 1/2 SAC

NOTES

Newdeal REGULATOR



Highly reliable, heavy-duty piston-operated regulator.

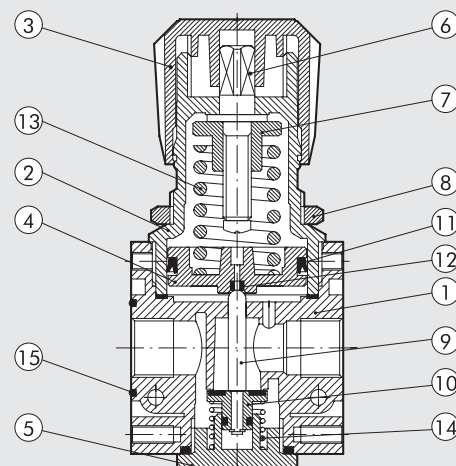
- Stability of the set pressure as the upstream pressure varies
- Standard overpressure blowoff valve
- Can be fixed to the wall using the holes in the sides of the body.



TECHNICAL DATA		REG ND 1/4"	REG ND 3/8"	REG ND 1/2"	REG ND 3/4"	REG ND 1"
Threaded port		1/4"	3/8"	1/2"	3/4"	1"
Setting range	bar	0 to 4 - 0 to 8 - 0 to 12		0 to 4 - 0 to 8 - 0 to 12		
Max. inlet pressure	MPa	1.8	1.8	1.8	1.8	1.8
	bar	18	18	18	18	18
Flow rate at 6.3 bar (0.63 MPa to 91 psi) ΔP 0.5 bar (0.05 MPa to 7 psi)	NI/min	200	1100	2500	4500	
	scfm	7	39	89	160	
Flow rate at 6.3 bar (0.63 MPa to 91 psi) ΔP 1 bar (0.1 MPa to 14 psi)	NI/min	650	2500	4500		
	scfm	23	89	160		
Max temperature at 1 MPa; 10 bar; 145 psi	°C	50	50	50	50	50
	°F	122	122	122	122	122
Weight	kg	0.3	0.8	1.5		
Wall fixing screws		M4 x 40	M4 x 55	M6 x 75		
Gauge port		1/8"	1/8"	1/4"		
Mounting position		In any position				
Fluid		Filtered, lubricated or unlubricated compressed air. Lubrication, if used, must be continuous.				
Note on use		The regulator pressure must always be set upwards.				
		For increased sensitivity, use a pressure regulator with a rated pressure as close as possible to the required value.				
		Do not take off air from gauge ports.				

COMPONENTS

- ① Zamak body
- ② Technopolymer bell
- ③ Technopolymer knob
- ④ Technopolymer piston rod
- ⑤ Technopolymer plug
- ⑥ OT58 brass adjusting screw
- ⑦ OT58 brass nut
- ⑧ Ring nut : technopolymer (ND 1/4-3/8-1/2) brass (ND 3/4-1)
- ⑨ OT brass rod
- ⑩ Valve with NBR vulcanized gasket
- ⑪ NBR lip seal
- ⑫ NBR relieving seal
- ⑬ Steel adjusting spring
- ⑭ Steel valve compression spring
- ⑮ NBR gaskets



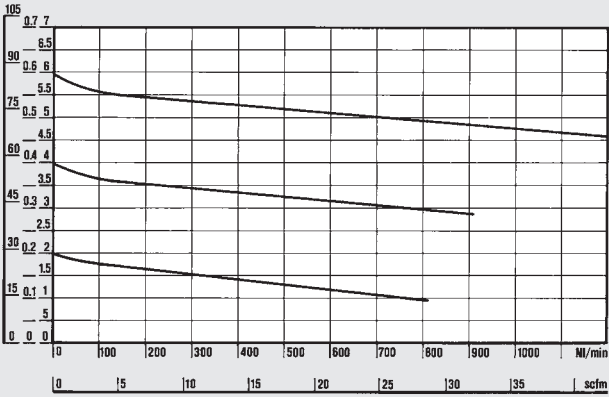
FLOW CHARTS

REG 1/4

$P_m = 0.7 \text{ MPa} - 7 \text{ bar} - 100 \text{ psi}$

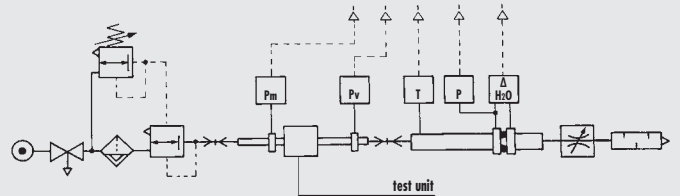
Inlet pressure

psi MPa bar



Department of Mechanics

Turin Polytechnic



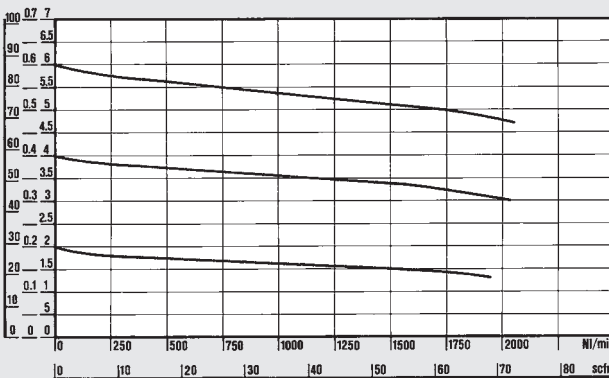
• Flow tests carried out at the Department of Mechanics, Turin Polytechnic, using the computerized test bench following CETOP RP50R recommendations (ISO DIS 6358-2-approved) with ISO 5167 diaphragm gauge.

REG 3/8 - 1/2

$P_m = 0.7 \text{ MPa} - 7 \text{ bar} - 100 \text{ psi}$

Inlet pressure

psi MPa bar

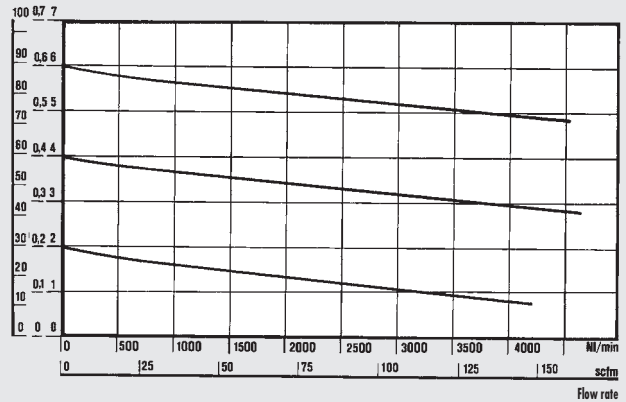


REG 3/4 - 1"

$P_m = 0.7 \text{ MPa} - 7 \text{ bar} - 100 \text{ psi}$

Inlet pressure

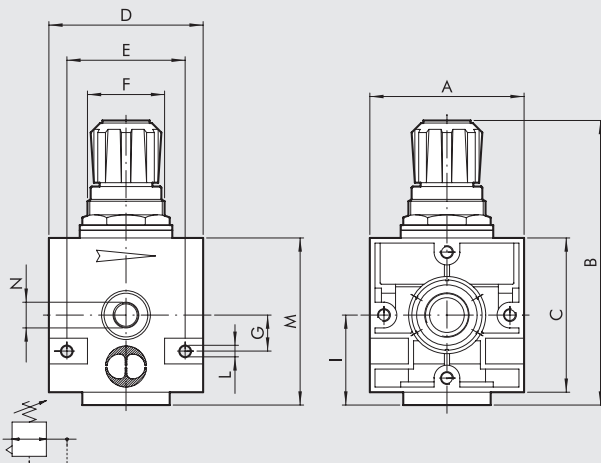
psi MPa bar



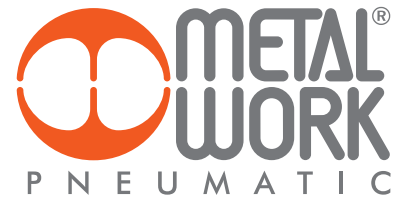
UNITS

New decl REGULATOR

DIMENSIONS



	REG ND 1/4"	REG ND 3/8"	REG ND 1/2"	REG ND 3/4"	REG ND 1"
Threaded port	1/4"	3/8"	1/2"	3/4"	1"
A	42	60		80	
B	94	130		184	
C	42	60		80	
D	42	60		80	
E	32	46		66	
F	30 x 1.5	38 x 2		55 x 2	
G	10	14		22	
I	25	35		47	
L	Hole for M4 screws	Hole for M4 screws		Hole for M6 screws	
M	49	70		94	
N (pressure gauge port)	1/8"	1/8"		1/4"	



SYNOPTIC, SIZES AND VERSIONS

REG ELEMENT	1/4 THREADED PORT	04 SETTING RANGE
REG	1/4 3/8 1/2 3/4 1	04 = 0 to 4 bar 08 = 0 to 8 bar 012 = 0 to 12 bar

ORDERING CODES

Code	Description
New deal REGULATOR 1/4"	
1202001	REG 1/4 04
1202002	REG 1/4 08
1202003	REG 1/4 012
1202004	REG 1/4 02
New deal REGULATOR 3/8"	
1302001	REG 3/8 04
1302002	REG 3/8 08
1302003	REG 3/8 012
New deal REGULATOR 1/2"	
1402001	REG 1/2 04
1402002	REG 1/2 08
1402003	REG 1/2 012
New deal REGULATOR 3/4"	
1502001	REG 3/4 04
1502002	REG 3/4 08
1502003	REG 3/4 012
New deal REGULATOR 1"	
1602001	REG 1 04
1602002	REG 1 08
1602003	REG 1 012

NOTES

New deal PADLOCKABLE REGULATOR

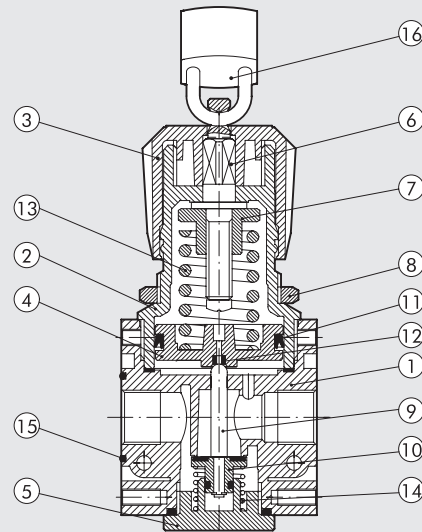
The New deal padlockable regulator has a pin with a hole in it that projects from the top of the knob. When the knob is in the push-lock position, the padlock can be inserted in the hole, preventing the knob from being operated. A padlock and two keys are supplied with the regulator.

Refer to the regulator for technical data and flow curves.

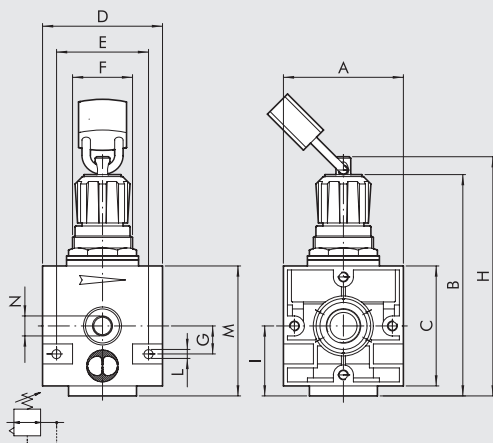


COMPONENTS

- ① Zamak body
- ② Technopolymer bell
- ③ Technopolymer knob
- ④ Technopolymer piston rod
- ⑤ Technopolymer plug
- ⑥ Nickel-plated brass OT58 adjusting screw
- ⑦ OT58 brass nut
- ⑧ Technopolymer ring nut
- ⑨ OT brass rod
- ⑩ Valve with NBR vulcanized gasket
- ⑪ NBR lip seal
- ⑫ NBR relieving seal
- ⑬ Steel adjusting spring
- ⑭ Steel valve compression spring
- ⑮ NBR gaskets
- ⑯ Padlock



DIMENSIONS



	REG KEY ND 1/4"	REG KEY ND 3/8"	REG KEY ND 1/2"
Threaded port	1/4"	3/8"	1/2"
A	42		60
B	90 to 94		126 to 130
C	42		60
D	42		60
E	32		46
F	30 x 1.5		38 x 2
G	10		14
H	96		131
I	25		35
L	Hole for M4 screws		Hole for M4 screws
M	49		70
N (pressure gauge port)	1/8"		1/8"



SYNOPTIC, SIZES AND VERSIONS

REG KEY ELEMENT	1/4 THREADED PORT	02 SETTING RANGE
REG KEY = padlockable regulator	1/4	02 = 0 to 2 bar
		04 = 0 to 4 bar
		08 = 0 to 8 bar
	3/8 1/2	012 = 0 to 12 bar
		04 = 0 to 4 bar
		08 = 0 to 8 bar
	012 = 0 to 12 bar	

ORDERING CODES

Code	Description
New deal PADLOCKABLE REGULATOR 1/4"	
1210011	REG KEY 1/4 02
1210012	REG KEY 1/4 04
1210013	REG KEY 1/4 08
1210014	REG KEY 1/4 012
New deal PADLOCKABLE REGULATOR 3/8"	
1310012	REG KEY 3/8 04
1310013	REG KEY 3/8 08
1310014	REG KEY 3/8 012
New deal PADLOCKABLE REGULATOR 1/2"	
1410012	REG KEY 1/2 04
1410013	REG KEY 1/2 08
1410014	REG KEY 1/2 012

NOTES

Blank lined area for notes.

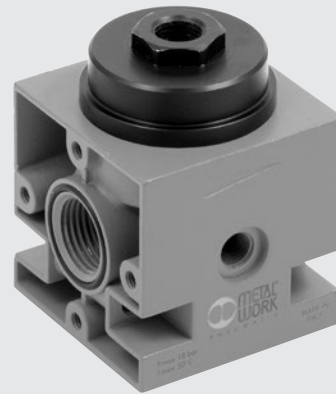
UNITS

New deal PADLOCKABLE REGULATOR

New deal PILOT-OPERATED REGULATOR

Remote pilot-operated regulator for heavy-duty use.

- Stability of the set pressure as the upstream pressure varies;
- Can be fixed to the wall using the holes in the sides of the body.

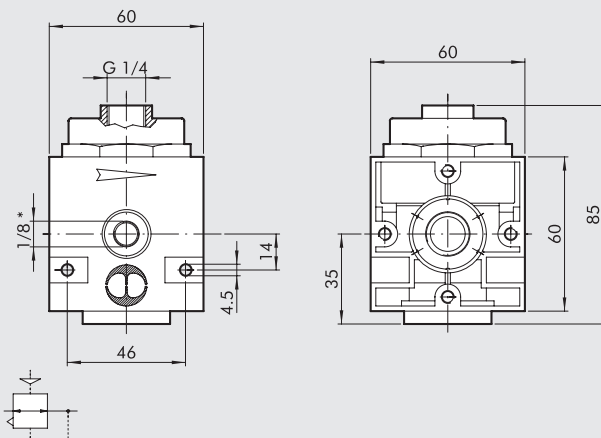


UNITS

New deal PILOT-OPERATED REGULATOR

TECHNICAL DATA		REG PIL 3/8"	REG PIL 1/2"
Threaded port		3/8"	1/2"
Setting range	bar	Depending on pilot	
Max. inlet pressure	MPa	1.8	
	bar	18	
Flow rate at 6.3 bar (0.63 MPa to 91 psi) ΔP 0.5 bar (0.05 MPa to 7 psi)	psi	261	
	Nl/min	3500	
Flow rate at 6.3 bar (0.63 MPa to 91 psi) ΔP 1 bar (0.1 MPa to 14 psi)	scfm	124	
	Nl/min	4500	
Max temperature at 1 MPa; 10 bar; 145 psi	scfm	160	
	°C	50	
Weight	°F	122	
	kg	0.8	
Wall fixing screws		M4 x 55	
Gauge port		1/8"	
Mounting position		In any position	
Fluid		Filtered, lubricated or unlubricated compressed air. Lubrication, if used, must be continuous.	
Note on use		The regulator pressure must always be set upwards. Overpressure relieving from the pilot.	

DIMENSIONS



*Pressure gauge port

ORDERING CODES

Code	Description
1302004	RP 3/8 pilot-operated regulator
1402004	RP 1/2 pilot-operated regulator

New deal REGULATOR AND REGULATOR WITH V3V 3/4"-1"



Piloted regulator with integrated function, manual, electropneumatic or pneumatic stop valve as required.

It performs two functions in the space usually occupied by a single module, which ensures a high flow rate at all ΔP values including low ones.

Extremely quick responses in both discharge and feed.

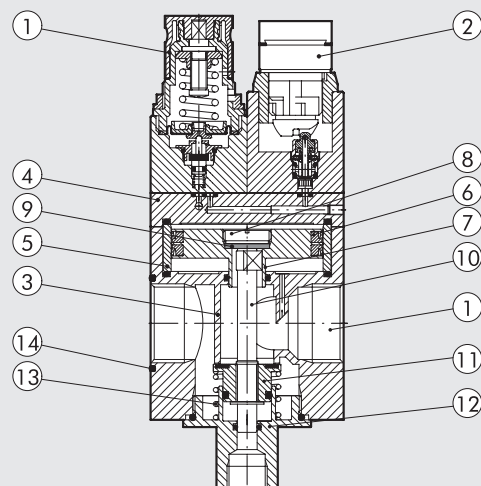
The integrated pilot regulator is available with controlled leak.



TECHNICAL DATA		3/4"	1"
Threaded port			
Setting range	bar	0 to 2 - 0 to 4 - 0 to 8 - 0 to 12	
*Max. inlet pressure	MPa	1.3	
	bar	13	
	psi	188	
Flow rate at 6.3 bar (0.63 MPa to 91 psi) ΔP 0.5 bar (0.05 MPa to 7 psi)	Nl/min	12000	
	scfm	423	
Flow rate at 6.3 bar (0.63 MPa to 91 psi) ΔP 1 bar (0.1 MPa to 14 psi)	Nl/min	13000	
	scfm	460	
Fluid		Lubricated or unlubricated filtered air. If lubrication is used, it must be continuous.	
Drain flow rate at 6 bar (0.6 MPa to 87 psi)	Nl/min	1800	
	scfm	64	
Max temperature at 10 bar (1 Mpa to 145 psi)	°C	50	
	°F	122	
Weight	kg	1.7	
Wall fixing screws		M6 x 75	
Mounting position		In any position	
Note on use		Do not take air from pressure gauge ports.	
* Version Reg + V3V Cnomo (1 Mpa - 10 bar - 145 psi)			

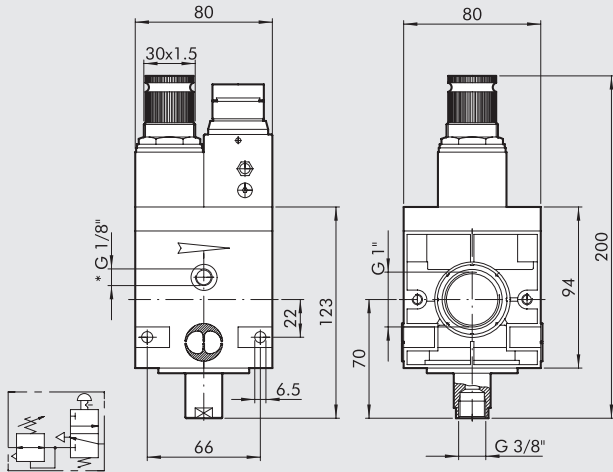
COMPONENTS

- ① Pilot Reg. sub-assembly
- ② Manual V3V control sub-assembly
- ③ Aluminium regulator body
- ④ Aluminium upper plate
- ⑤ Aluminium spacer
- ⑥ NBR lip seal
- ⑦ Aluminium \varnothing 63 piston rod
- ⑧ Cap for OT 58 brass plain gasket
- ⑨ NBR plain gasket
- ⑩ OT 58 brass rod
- ⑪ OT 58 brass valve
- ⑫ Aluminium lower cap
- ⑬ Steel valve compression spring
- ⑭ NBR gaskets



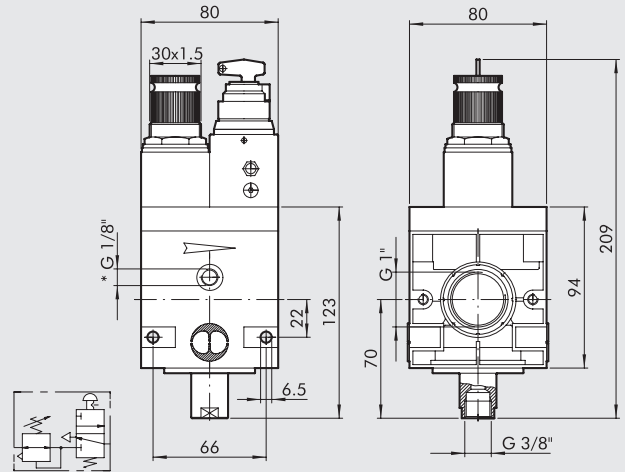
DIMENSIONS

REG P + V3V MANUAL



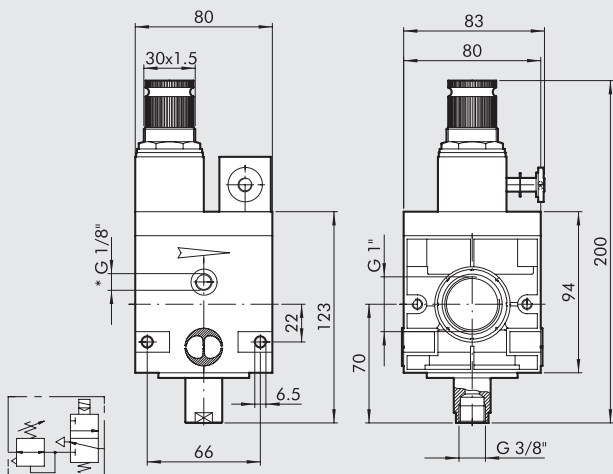
*Pressure gauge port

REG P + V3V KEY



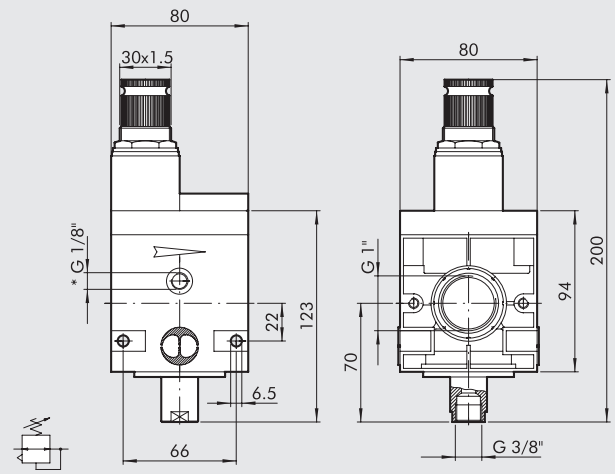
*Pressure gauge port

REG P + V3V ELPN CNOMO



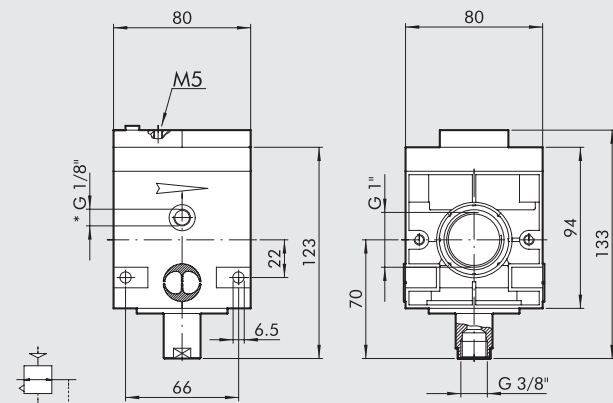
*Pressure gauge port

REG P



*Pressure gauge port

REG P 00



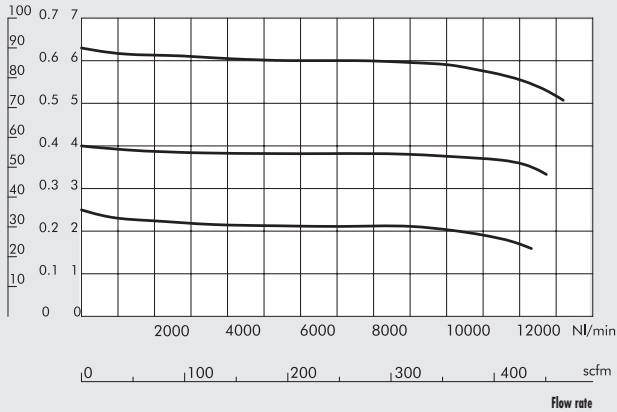
*Pressure gauge port

FLOW CHARTS

$P_{in} = 0.7 \text{ MPa} - 7 \text{ bar} - 100 \text{ psi}$

Inlet pressure

psi MPa bar



SYNOPTIC, SIZES AND VERSIONS

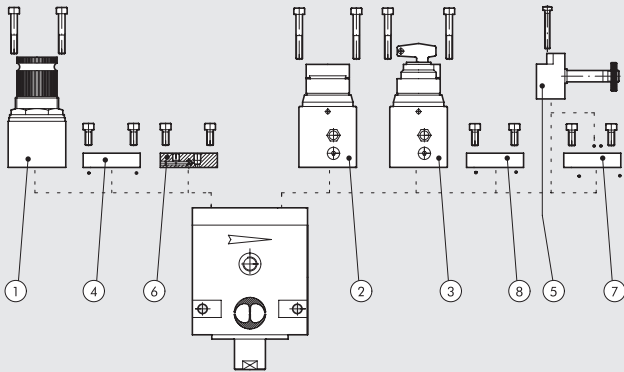
RV3V ELEMENT	1 THREADED PORT	02 SETTING RANGE	ELPN ELPN V3V CONTROL
RV3V	1"	00 = without pilot	ELPN
REGP	3/4"	02 = 0 to 2 bar	KEY
		04 = 0 to 4 bar	MANUAL
		08 = 0 to 8 bar	
		012 = 0 to 12 bar	

RV3V: Regulator with built-in shut-off valve.

ELPN: CNOMO solenoid

REGP: Pilot-operated regulator

ASSEMBLY OPTIONS



This modular system makes it possible to make the following combinations:

- A) Regulator with pilot regulator ① or remote control ⑥, the end plate is mounted on the right-hand side ⑧.
- B) V3V with manual lever-operated control ② or key control ③ or solenoid CNOMO ⑤, the end plate is mounted on the left-hand side ④.
- C) Regulator + V3V is the result of the free combination of the versions specified above.

	Code	Description
①	9640501-02-03-04	Pilot regulator kit
②	9640401	V3V manual lever-operated control kit
③	9640301	V3V manual key-operated control kit
④	9640101	End plate kit for V3V
⑤	9453922	V3V ELPN CNOMO bistable control kit
⑤	9453920	V3V ELPN CNOMO monostable control kit
⑥	9640001	Remote control plate kit
⑦	9640201	Plate kit to mount Cnomo rotated by 180°
⑧	9640101	End plate kit for piloted regulator

ORDERING CODES

Code	Description
New deal PILOT-OPERATED REGULATOR 3/4"	
1519001	REGP 3/4 00
1518001	REGP 3/4 02
1518002	REGP 3/4 04
1518003	REGP 3/4 08
1518004	REGP 3/4 012
New deal REGULATOR WITH BUILT-IN SHUT-OFF VALVE 3/4"	
1517001	RV3V 3/4 02 ELPN
1517002	RV3V 3/4 04 ELPN
1517003	RV3V 3/4 08 ELPN
1516101	RV3V 3/4 02 key
1516102	RV3V 3/4 04 key
1516103	RV3V 3/4 08 key
1516104	RV3V 3/4 012 key
1516001	RV3V 3/4 02 manual
1516002	RV3V 3/4 04 manual
1516003	RV3V 3/4 08 manual
1516004	RV3V 3/4 012 manual
New deal PILOT-OPERATED REGULATOR 1"	
1619001	REGP 1 00
1618001	REGP 1 02
1618002	REGP 1 04
1618003	REGP 1 08
1618004	REGP 1 012
New deal REGULATOR WITH BUILT-IN SHUT-OFF VALVE 1"	
1617001	RV3V 1 02 ELPN
1617002	RV3V 1 04 ELPN
1617003	RV3V 1 08 ELPN
1616101	RV3V 1 02 key
1616102	RV3V 1 04 key
1616103	RV3V 1 08 key
1616104	RV3V 1 012 key
1616001	RV3V 1 02 manual
1616002	RV3V 1 04 manual
1616003	RV3V 1 08 manual
1616004	RV3V 1 012 manual

New deal FILTER REGULATOR

Highly reliable piston-operated filter regulator.

- Stability of the set pressure as the upstream pressure varies
- Standard overpressure blow-off valve
- Can be fixed to the wall using the holes in the sides of the body
- Metal bowl with external viewing
- Manual/semi-auto or automatic condensate drainage

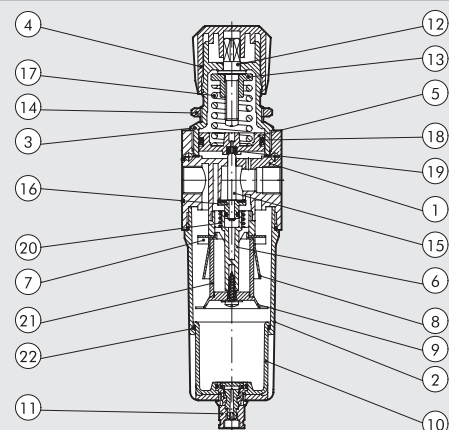


TECHNICAL DATA

		FR ND 1/4"	FR ND 3/8"	FR ND 1/2"
Threaded port		1/4"	3/8"	1/2"
Setting range	bar	0 to 8 - 0 to 12		0 to 8 - 0 to 12
Degree of filtration	µm	4 - 20 - 50		4 - 20 - 50
Max. inlet pressure	MPa	1.8		1.8
	bar	18		18
Flow rate at 6.3 bar (0.63 MPa to 91 psi) ΔP 0.5 bar (0.05 MPa to 7 psi)	NI/min	260		1000
	scfm	9.2		35.5
Flow rate at 6.3 bar (0.63 MPa to 91 psi) ΔP 1 bar (0.1 MPa to 14 psi)	NI/min	700		2500
	scfm	25		88.5
Max temperature at 1 MPa; 10 bar; 145 psi	°C	50		50
	°F	122		122
Weight	kg	0.5		1
Wall fixing screws		M4 x 40		M4 x 55
Gauge port		1/8"		1/8"
Bowl capacity	cm ³	10		45
Mounting position		Vertical		Vertical
Drain		RMSA - SAC		RMSA - SAC - RA
		RMSA: drain with manual condensate discharge and automatic discharge at zero pressure RA: automatic drain with condensate discharge, independent of pressure and flow rate. Version conveys the draining by inserting the pipe having internal diameter 6 mm in the lower port. SAC: automatic drain with condensate discharge. Operates by pressure drop – requires variable air take-offs. Compressed air The regulator pressure must always be set upwards. The maximum inlet pressure for the version with RA automatic condensate drainage must not exceed 10 bar. Do not take air from pressure gauge ports.		
Fluid				
Note on use				

COMPONENTS

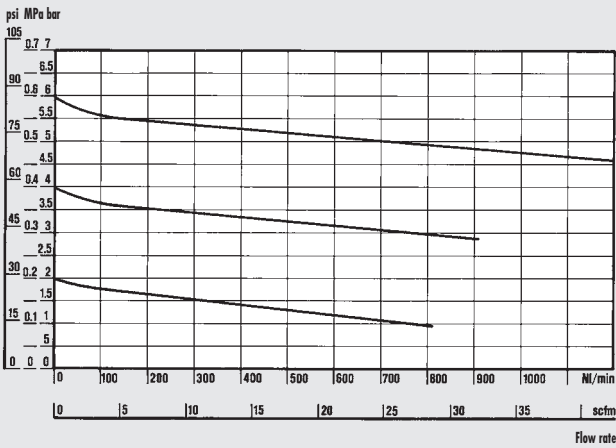
- | | |
|------------------------------|------------------------------------|
| ① Zamak body | ⑯ Valve with NBR vulcanized gasket |
| ② Aluminium bowl | ⑰ Steel adjusting spring |
| ③ Technopolymer bell | ⑱ NBR lip seal |
| ④ Technopolymer knob | ⑲ NBR relieving seal |
| ⑤ Technopolymer piston rod | ⑳ Steel valve compression spring |
| ⑥ Technopolymer plug | ㉑ Sintered HDPE filter cartridge |
| ⑦ Technopolymer centrifuge | ㉒ NBR gaskets |
| ⑧ Technopolymer baffle plug | |
| ⑨ Technopolymer screen | |
| ⑩ Technopolymer bowl | |
| ⑪ Drain (RMSA) | |
| ⑫ OT58 brass adjusting screw | |
| ⑬ OT58 brass nut | |
| ⑭ Technopolymer ring nut | |
| ⑮ OT58 brass rod | |



FLOW CHARTS

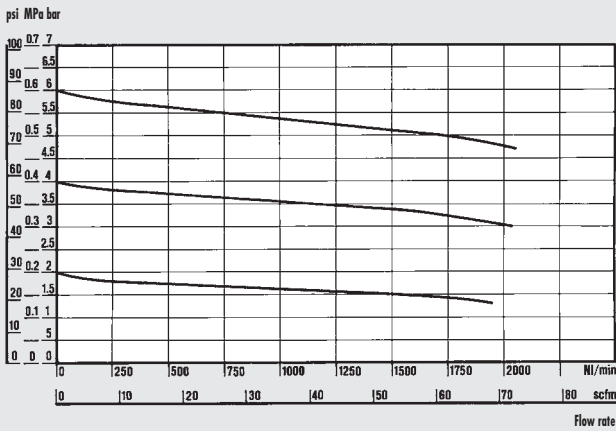
FR 1/4

$P_{in} = 0.7 \text{ MPa} - 7 \text{ bar} - 100 \text{ psi}$
Inlet pressure

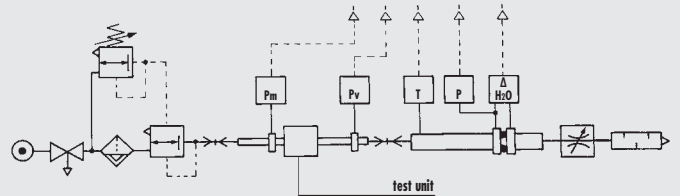


FR 3/8 - 1/2

$P_{in} = 0.7 \text{ MPa} - 7 \text{ bar} - 100 \text{ psi}$
Inlet pressure

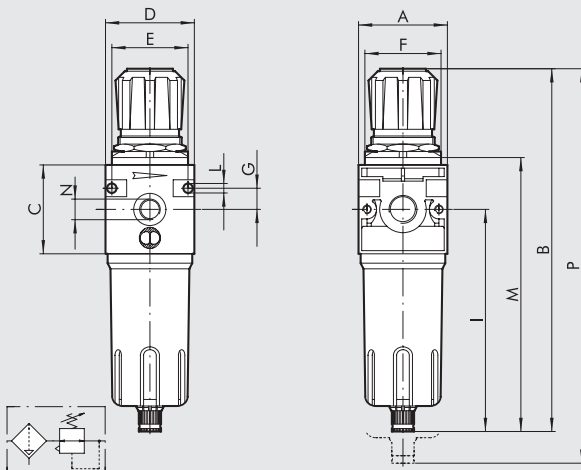


Department of Mechanics
Turin Polytechnic



• Flow tests carried out at the Department of Mechanics, Turin Polytechnic, using the computerized test bench following CETOP RP50R recommendations (ISO DIS 6358-2-approved) with ISO 5167 diaphragm gauge.

DIMENSIONS



		FR ND 1/4"	FR ND 3/8"	FR ND 1/2"
Threaded port		1/4"	3/8"	1/2"
A		42		60
B	RMSA			245
	RA	-		249
	SAC	194		249
C		42		60
D		42		60
E		36		52
F		30 x 1.5		38 x 2
G		10		14
I		121		150
L		Hole for M4 screws		Hole for M4 screws
M	RMSA			185
	RA	-		189
	SAC	149		189
N (Pressure gauge port)		1/8"		1/8"
P	RMSA			295
	RA	-		299
	SAC	237		299

New deal LUBRICATOR



Lubricator with high lubrication stability.

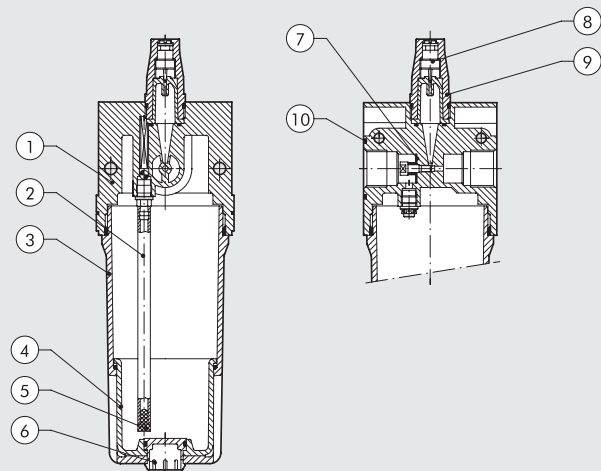
- Quantity of lubricant proportioned to air flow
- Micrometric regulation of lubricant flow
- Activates at low flow rates
- All-round oil level viewing



TECHNICAL DATA	LUB ND 1/4"	LUB ND 3/8"	LUB ND 1/2"	LUB ND 3/4"	LUB ND 1"
Threaded port	1/4"	3/8"	1/2"	3/4"	1"
Type of lubrication	Mist		Mist		Mist
Bowl capacity	cm ³ 50		150		380
Max. inlet pressure	MPa 1.8		1.8		1.8
	bar 18		18		18
	psi 261		261		261
Flow rate at 6 bar (0.6 MPa to 87 psi) ΔP 0.5 bar (0.05 MPa to 7 psi)	Nl/min 700		3000		12800
	scfm 25		107		452
Flow rate at 6 bar (0.6 MPa to 87 psi) ΔP 1 bar (0.1 MPa to 14 psi)	Nl/min 1100		4300		16000
	scfm 39		153		565
Max temperature at 1 MPa; 10 bar; 145 psi	°C 50		50		50
	°F 122		122		122
Weight	kg 0.4		0.9		1.3
Wall fixing screws	M4 x 40		M4 x 55		M6 x 75
Mounting position	Vertical				
Fluid	Filtered compressed air				
Note on use:	<ul style="list-style-type: none"> • Use the screw provided to set the drip rate to drop every 300-600 Nl. <ul style="list-style-type: none"> • Fit the lubricator as close as possible to the point of use • Fill the bowl with oil before pressurizing the system • Do not use cleaning oil, brake fluid or solvents in general • Recommended lubricants: ISO and UNI FD22 - E.g. Energol HLP 22 (BP) - Spinesso 22 (Esso) - Mobil DTE 22 (Mobil) - Tellus Oil 22 (Shell) 				

COMPONENTS

- ① Zamak body
- ② Rilsan® oil suction pipe
- ③ Aluminium bowl
- ④ Clear technopolymer bowl
- ⑤ Filter
- ⑥ Technopolymer plug
- ⑦ Venturi NBR diaphragm
- ⑧ OT 58 brass oil flow regulation needle
- ⑨ Clear technopolymer cover
- ⑩ NBR gaskets

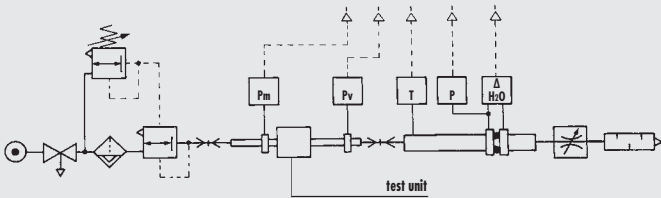


FLOW CHARTS



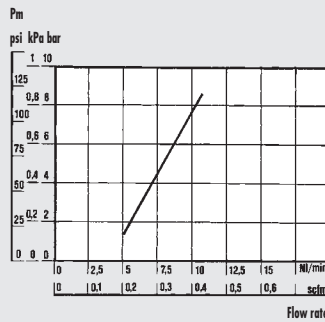
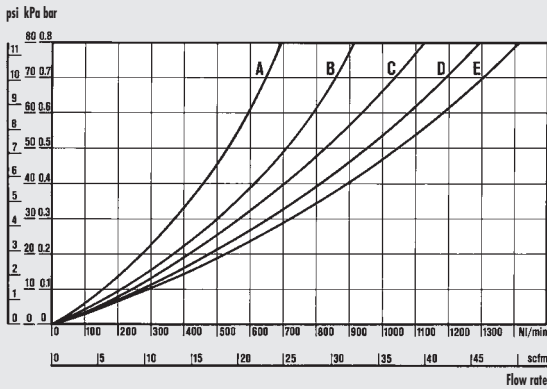
• Flow tests carried out at the Department of Mechanics, Turin Polytechnic, using the computerized test bench following CETOP RP50R recommendations (ISO DIS 6358-2-approved) with ISO 5167 diaphragm gauge.

- (A) = 2 bar - 0.2 MPa - 29 psi
- (B) = 4 bar - 0.4 MPa - 58 psi
- (C) = 6 bar - 0.6 MPa - 87 psi
- (D) = 8 bar - 0.8 MPa - 116 psi
- (E) = 10 bar - 1 MPa - 145 psi



LUB 1/4

$\Delta P = (P_m - P_v)$

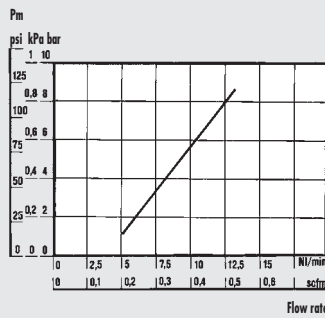
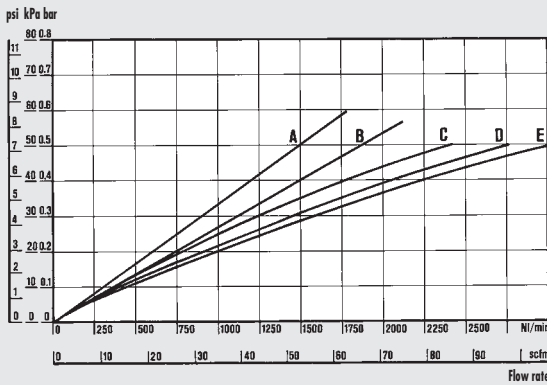


MINIMUM ACTIVATION FLOW CHARTS

The minimum activation flow charts were carried out in compliance with ISO/DP 6301/2

LUB 3/8 - 1/2

$\Delta P = (P_m - P_v)$

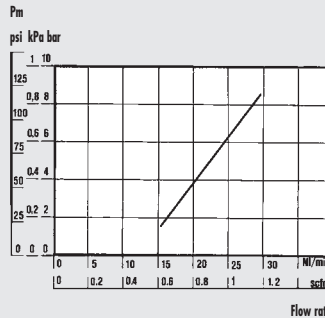
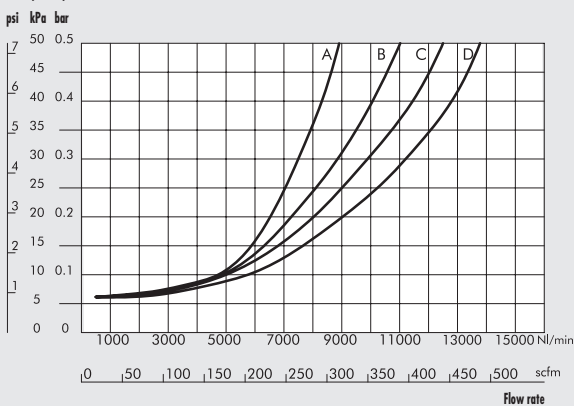


MINIMUM ACTIVATION FLOW CHARTS

The minimum activation flow charts were carried out in compliance with ISO/DP 6301/2

LUB 3/4 - 1"

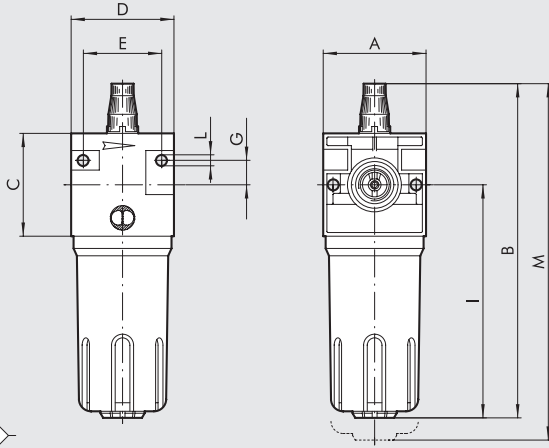
$\Delta P = (P_m - P_v)$



MINIMUM ACTIVATION FLOW CHARTS

The minimum activation flow charts were carried out in compliance with ISO/DP 6301/2

DIMENSIONS



	LUB ND 1/4"	LUB ND 3/8"	LUB ND 1/2"	LUB ND 3/4"	LUB ND 1"
Threaded port	1/4"	3/8"	1/2"	3/4"	1"
A	42	60	80	80	80
B	156	195	260	260	260
C	42	60	80	80	80
D	42	60	80	80	80
E	32	46	66	66	66
G	10	14	22	22	22
I	107	136	182	182	182
L	Hole for M4 screws	Hole for M4 screws	Hole for M6 screws	Hole for M6 screws	Hole for M6 screws
M	176	220	290	290	290

ORDERING CODES

Code	Description
1223001	LUB 1/4
1323001	LUB 3/8
1423001	LUB 1/2
1523001	LUB 3/4
1623001	LUB 1

NOTES

Newdeal SHUT-OFF VALVE

Manually-operated circuit shut-off valve.

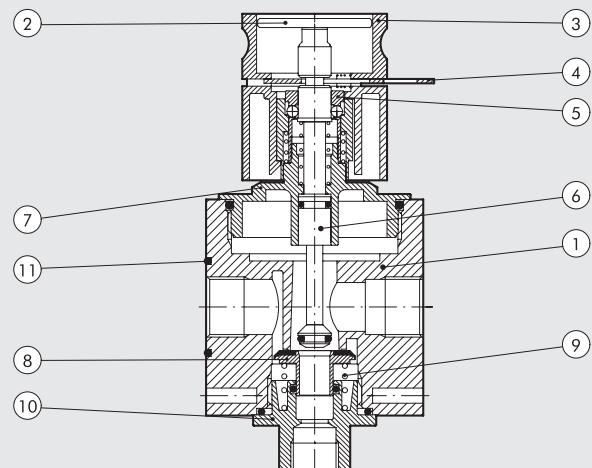
- Poppet seat system to ensure high flow rate
- Quick-actuation knob
- Possible triple locking
- The valve is actuated by pressing the actuation disk until it clicks. Press the knob downwards to relieve pressure. In this position you can extract the shim and fit a lock to avoid accidental operation.



TECHNICAL DATA		V3V ND 1/4"	V3V ND 3/8"	V3V ND 1/2"
Threaded port		1/4"	3/8"	1/2"
Max. inlet pressure	MPa	1.8		1.8
	bar	18		18
	psi	261		261
Flow rate at 6.3 bar (0.63 MPa to 91 psi) ΔP 0.5 bar (0.05 MPa to 7 psi)	Nl/min	1100		2200
	scfm	38.8		78
Flow rate at 6.3 bar (0.63 MPa to 91 psi) ΔP 1 bar (0.1 MPa to 14 psi)	Nl/min	1500		2900
	scfm	53		103
Flow rate on relieving at 6 bar (0.6 Mpa to 87 psi) with direct relieving into the atmosphere	Nl/min	1600		2900
	scfm	56.5		103
Max temperature at 1 MPa; 10 bar; 145 psi	°C	50		50
	°F	122		122
Weight	kg	0.35		0.8
Wall fixing screws		M4 x 40		M4 x 55
Mounting position		In any position		
Fluid		Filtered, lubricated or unlubricated compressed air. Lubrication, if used, must be continuous.		
Type of control		Manual		

COMPONENTS

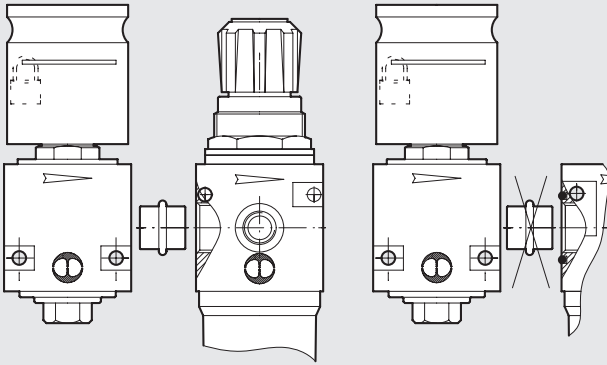
- ① Zamak body
- ② Actuation disk
- ③ Technopolymer knob
- ④ Stainless steel safety shim
- ⑤ Clutching unit
- ⑥ OT 58 brass rod
- ⑦ Upper anodized aluminium plug
- ⑧ V3V valve with NBR vulcanized gasket
- ⑨ Stainless steel valve compression spring
- ⑩ Lower anodized aluminium plug
- ⑪ NBR gaskets



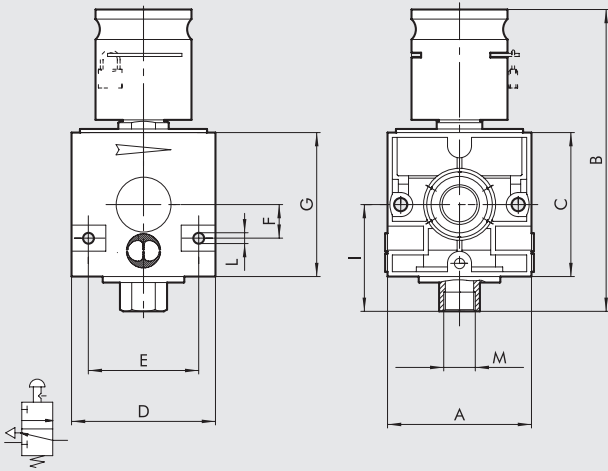
ASSEMBLY DIAGRAM

To assemble the V3V to the regulator filter 1/4", or depurator 3/8-1/2, use the adaptor provided (see the assembly diagram at the left).

- Adaptor V3V + FR 1/4" - code 9201001
- Adaptor V3V + D 3/8" - code 9401001
- Adaptor V3V + D 1/2" - code 9401002



DIMENSIONS



	V3V ND 1/4"	V3V ND 3/8"	V3V ND 1/2"
Threaded port	1/4"	3/8"	1/2"
A	42		60
B	105		126
C	42		60
D	42		60
E	32		46
F	10		14
G	42		60
I	32		43
L	Hole for M4 screws		Hole for M4 screws
M	1/8"		1/4"

ORDERING CODES

Code	Description
1270001	V3V ND 1/4
1370001	V3V ND 3/8
1470001	V3V ND 1/2

NOTES

New deal 3/4"-1" SHUT-OFF VALVE

Circuit cut-off valve with three different controls:

- CNOMO electropneumatic
- Manual key-operated
- Manual lever-operated



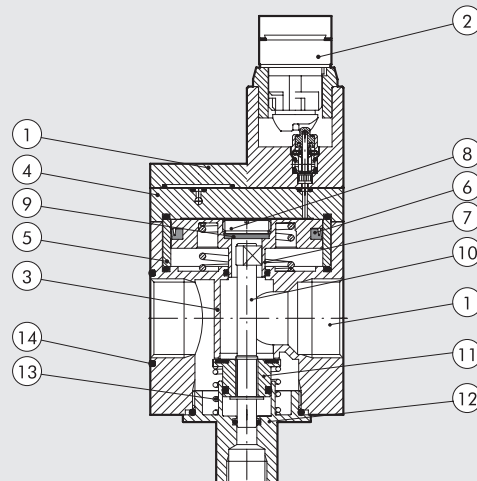
UNITS

New deal 3/4"-1" SHUT-OFF VALVE

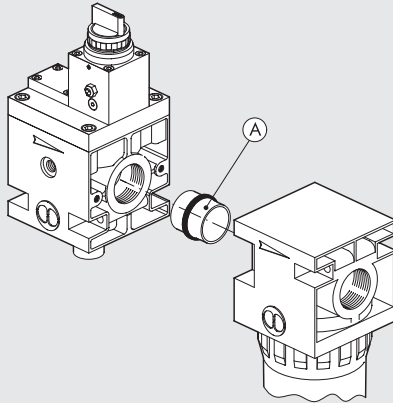
TECHNICAL DATA		V3V ND 3/4"	V3V ND 1"
Threaded port		3/4"	1"
Max. inlet pressure*	MPa		1.3
	bar		13
	psi		188
Flow rate at 6.3 bar (0.63 MPa to 91 psi) ΔP 0.5 bar (0.05 MPa to 7 psi)	Nl/min		7600
	scfm		268
Flow rate at 6.3 bar (0.63 MPa to 91 psi) ΔP 1 bar (0.1 MPa to 14 psi)	Nl/min		10200
	scfm		360
Flow rate on relief at 6 bar (0.6 MPa; 87 psi)	Nl/min		1800
	scfm		64
Weight	kg		2.2
Wall fixing screws		M6 x 75	
Mounting position		In any position	
Fluid		Filtered, lubricated or unlubricated compressed air. Lubrication, if used, must be continuous.	
*V3V CNOMO -10 bar - 1 MPa - 145 Psi			

COMPONENTS

- ① V3V plate
- ② V3V manual sub-assembly control
- ③ V3V aluminium body
- ④ Aluminium top plate
- ⑤ Aluminium spacer
- ⑥ NBR lip seal
- ⑦ Aluminium piston rod
- ⑧ Cap for OT 58 brass plain gasket
- ⑨ NBR plain gasket
- ⑩ OT 58 brass rod
- ⑪ OT 58 brass valve
- ⑫ Aluminium bottom cap
- ⑬ Steel valve spring
- ⑭ NBR gaskets



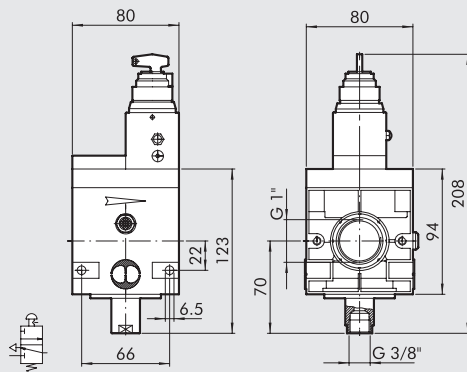
ASSEMBLY DIAGRAM V3V + F



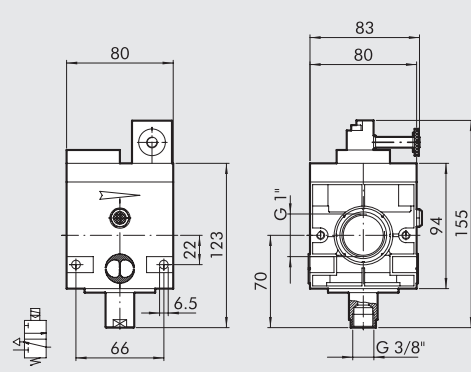
A= V3V ADAPTER + FIL 1" – code 9601001
to be used with filters not having o-ring seat

DIMENSIONS

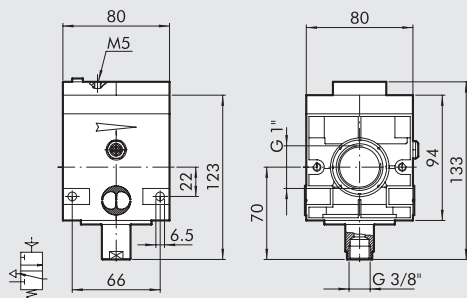
V3V 3/4"-1" KEY-OPERATED CONTROL



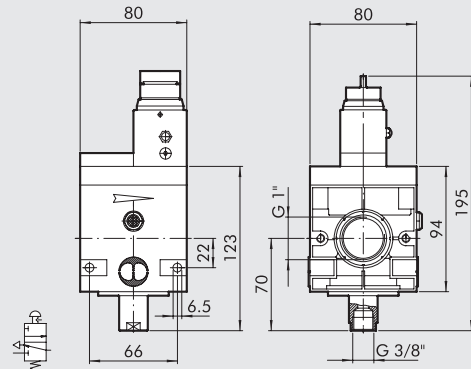
V3V 3/4"-1" ELPN CNOMO



V3V 3/4"-1" PNEUMATIC



V3V 3/4"-1" MANUAL CONTROL



SYNOPTIC, SIZES AND VERSIONS

RV3V ELEMENT	3/4 THREADED PORT	ELPN CONTROL V3V
V3V	3/4" 1"	ELPN Key Manual Pneumatic

ORDERING CODES

Code	Description
SHUT-OFF VALVE New deal 3/4"	
1575001	V3V 3/4 ELPN Cnomo
1574101	V3V 3/4 key
1574001	V3V 3/4 manual
1576001	V3V 3/4 pneumatic
SHUT-OFF VALVE New deal 1"	
1675001	V3V 1 ELPN Cnomo
1674101	V3V 1 key
1674001	V3V 1 manual
1676001	V3V 1 pneumatic

Newdeal AIR TAKE-OFF

The air take-off has the job to take off the air from the Newdeal FRL unit irrespective of the position where it is assembled. It is required whenever you need to take off air from the FRL unit at different stages of the treatment (normal, filtered, filtered regulated, lubricated, etc.)



UNITS

New deal AIR TAKE-OFF

TECHNICAL DATA		PA ND 1/4"	PA ND 3/8"	PA ND 1/2"	PA ND 3/4"	PA ND 1"
Threaded port		1/8"		1/4"		1/2"
Maximum working temperature at: 1 MPa; 10 bar; 145 psi	°C	50		50		50
	°F	122		122		122
	MPa	1.8		1.8		1.8
Maximum admissible pressure	bar	18		18		18
	psi	261		261		261
	kg	0.06		0.18		0.41
Weight						

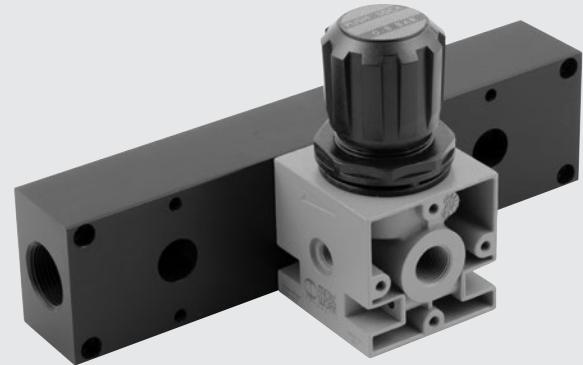
DIMENSIONS		PA ND 1/4"	PA ND 3/8"	PA ND 1/2"	PA ND 3/4"	PA ND 1"
	Threaded port	1/8"		1/4"		1/2"
	A	42		60		80
	B	42		60		80
	C	15		20		30
	D	34		49		64
	E	34		49		64
	F	8.5		14		16
	G	8.5		14		16
	H (n° 2 pos.)	1/8"		1/4"		1/2"
	L	Hole for M4 screws		Hole for M5 screws		Hole for M6 screws

ORDERING CODES	
Code	Description
9200401	PA 1/4 take-off
9400401	PA 1/2 take-off
9600401	PA 3/4 take-off
Comes with 2 screws for F/L and R/FR fixing.	

New deal SUB-BASE

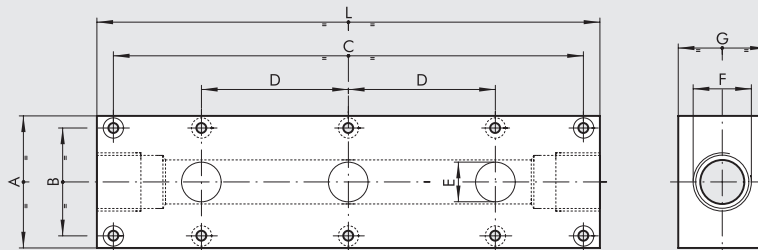


With the New deal sub-base, more than one regulators can be mounted in parallel using a single pressure supply source.

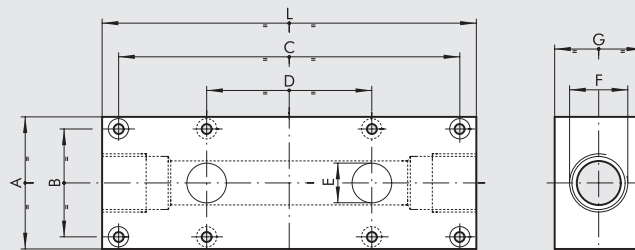


DIMENSIONS

3 POSITION



2 POSITION



	ND 1/4"		ND 3/8" - 1/2"		ND 3/4" - 1"	
	2 positions	3 positions	2 positions	3 positions	2 positions	3 positions
A	50	50	60	60	80	80
B	34	34	49	49	64	64
C	113	165	155	230	190	280
D	52	52	75	75	90	90
E	1/4"	1/4"	18	18	31	31
F	1/2"	1/2"	3/4"	3/4"	1 1/4"	1 1/4"
G	30	30	40	40	50	50
L	128	180	170	245	210	300
Weight [kg]	0.45	0.62	0.94	1.4	1.5	1.7

ORDERING CODES

Code	Description
9200201	SB 1/4 sub-base 2 pos.
9400201	SB 1/2 sub-base 2 pos.
9600201	SB 3/4 sub-base 2 pos.
9200301	SB 1/4 sub-base 3 pos.
9400301	SB 1/2 sub-base 3 pos.
9600301	SB 3/4 sub-base 3 pos.

New deal AUTOMATIC CONDENSATE DRAIN

System supply condensate drain:

- All-round condensate level viewing
- Automatic drain from inside the bowl
- Axial coupling



UNITS

New deal AUTOMATIC CONDENSATE DRAIN

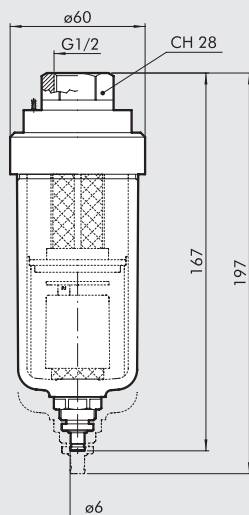
TECHNICAL DATA

Threaded port	
Maximum working temperature at: 1 MPa; 10 bar; 145 psi	°C
	°F
Maximum admissible pressure	MPa
	bar
	psi
Weight	kg

SCAL ND 1/2"

1/2"
50
122
1
10
145
0.5

DIMENSIONS



ORDERING CODES

Code	Description
4589003	Autom. cond. drain 1/2 in line

FIL + REG + LUB New deal

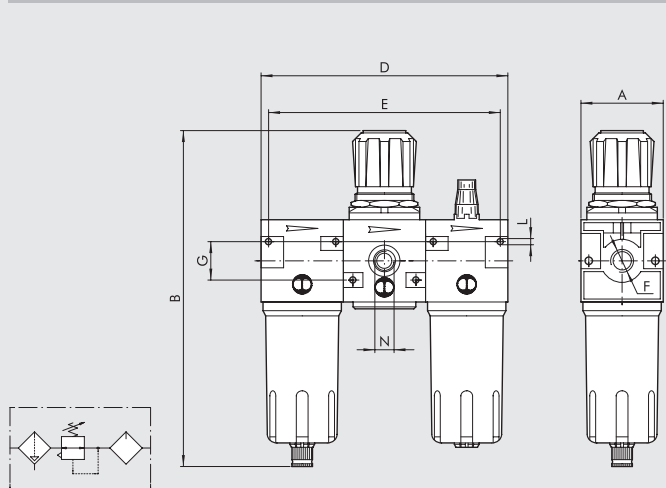


- Highly reliable heavy-duty piston-operated FRL unit.
- Stability of the set pressure as the upstream pressure varies
 - Metal bowl with external sight glass
 - Semi-automatic and automatic condensate drain
 - Lubrication proportional to flow rate
 - Micrometric lubrication regulation
 - Activation guaranteed with low flow rates
- Refer to the sections on the single modules for a further description, components and other technical data.



TECHNICAL DATA	FRL ND 1/4"	FRL ND 3/8"	FRL ND 1/2"	FRL ND 3/4"	FRL ND 1"
Threaded port	1/4"	3/8"	1/2"	3/4"	1"
Setting range	bar 0 to 8 - 0 to 12	0 to 8 - 0 to 12		0 to 8 - 0 to 12	
Degree of filtration	µm 4 - 20 - 50	4 - 20 - 50		4 - 20 - 50	
Max. inlet pressure	MPa 1.8	1.8		1.8	
	bar 18	18		18	
Flow rate at 6.3 bar (0.63 MPa to 91 psi) ΔP 0.5 bar (0.05 MPa to 7 psi)	psi 261	261		261	
	NI/min 140	1300		1900	2000
Flow rate at 6.3 bar (0.63 MPa to 91 psi) ΔP 1 bar (0.1 MPa to 14 psi)	scfm 5	46		68	71
	NI/min 400	2000		3600	3700
Max temperature at 1 MPa; 10 bar; 145 psi	scfm 14.2	71		128	132
	°C 50	50		50	
Weight	°F 122	122		122	
	kg 1	2.5		4	
Wall fixing screws	M4 x 40	M4 x 55		M6 x 75	
Fluid	Compressed air				
Note on use	The maximum inlet pressure for the version with RA automatic condensate drainage must not exceed 10 bar. Do not take air from pressure gauge ports.				

DIMENSIONS



	FRL ND 1/4"	FRL ND 3/8"	FRL ND 1/2"	FRL ND 3/4"	FRL ND 1"
Threaded port F	1/4"	3/8"	1/2"	3/4"	1"
A	42	60	80		
B	RMSA 190	245	332		
	RA -	249	336		
	SAC 194	249	336		
D	126	180	240		
E	116	166	226		
G	20	28	44		
L	Hole for M4 screws	Hole for M4 screws		Hole for M6 screws	
N (pressure gauge port)	1/8"	1/8"	1/4"		

UNITS
FIL + REG + LUB New deal

SYNOPTIC, SIZES AND VERSIONS

FRL ELEMENT	1/4 THREADED PORT	4 DEGREE OF FILTRATION	08 SETTING RANGE	RMSA CONDENSATE DRAIN
FRL	1/4 3/8 1/2 3/4 1	4 = 4 µm 20 = 20 µm 50 = 50 µm	08 = 0 to 8 bar 012 = 0 to 12 bar	RMSA SAC RMSA SAC RA RMSA RA

RMSA: drain with manual condensate discharge and automatic discharge at zero pressure.
 RA: automatic drain with condensate discharge, independent of pressure and flow rate.
 Version conveys the draining by inserting the pipe having internal diameter 6 mm in the lower port.
 SAC: automatic drain with condensate discharge.
Operates by pressure drop – requires variable air take-offs.

ORDERING CODES

Code	Description	Code	Description	Code	Description
FRL 1/4"		FRL 3/8"		FRL 3/4"	
1224029	FRL 1/4 4 08 RMSA	1324029	FRL 3/8 4 08 RMSA	1524017	FRL 3/4 4 08 RMSA
1224409	FRL 1/4 4 08 SAC	1324033	FRL 3/8 4 08 RA	1524021	FRL 3/4 4 08 RA
1224030	FRL 1/4 20 08 RMSA	1324409	FRL 3/8 4 08 SAC	1524018	FRL 3/4 20 08 RMSA
1224410	FRL 1/4 20 08 SAC	1324030	FRL 3/8 20 08 RMSA	1524022	FRL 3/4 20 08 RA
1224032	FRL 1/4 50 08 RMSA	1324034	FRL 3/8 20 08 RA	1524020	FRL 3/4 50 08 RMSA
1224412	FRL 1/4 50 08 SAC	1324410	FRL 3/8 20 08 SAC	1524024	FRL 3/4 50 08 RA
1224053	FRL 1/4 4 012 RMSA	1324032	FRL 3/8 50 08 RMSA	1524029	FRL 3/4 4 012 RMSA
1224413	FRL 1/4 4 012 SAC	1324036	FRL 3/8 50 08 RA	1524033	FRL 3/4 4 012 RA
1224054	FRL 1/4 20 012 RMSA	1324412	FRL 3/8 50 08 SAC	1524030	FRL 3/4 20 012 RMSA
1224414	FRL 1/4 20 012 SAC	1324053	FRL 3/8 4 012 RMSA	1524034	FRL 3/4 20 012 RA
1224056	FRL 1/4 50 012 RMSA	1324057	FRL 3/8 4 012 RA	1524032	FRL 3/4 50 012 RMSA
1224416	FRL 1/4 50 012 SAC	1324413	FRL 3/8 4 012 SAC	1524036	FRL 3/4 50 012 RA
		1324054	FRL 3/8 20 012 RMSA	FRL 1"	
		1324058	FRL 3/8 20 012 RA	1624017	FRL 1 4 08 RMSA
		1324414	FRL 3/8 20 012 SAC	1624021	FRL 1 4 08 RA
		1324056	FRL 3/8 50 012 RMSA	1624018	FRL 1 20 08 RMSA
		1324060	FRL 3/8 50 012 RA	1624022	FRL 1 20 08 RA
		1324416	FRL 3/8 50 012 SAC	1624020	FRL 1 50 08 RMSA
		FRL 1/2"		1624024	FRL 1 50 08 RA
		1424029	FRL 1/2 4 08 RMSA	1624029	FRL 1 4 012 RMSA
		1424033	FRL 1/2 4 08 RA	1624033	FRL 1 4 012 RA
		1424409	FRL 1/2 4 08 SAC	1624030	FRL 1 20 012 RMSA
		1424030	FRL 1/2 20 08 RMSA	1624034	FRL 1 20 012 RA
		1424034	FRL 1/2 20 08 RA	1624032	FRL 1 50 012 RMSA
		1424410	FRL 1/2 20 08 SAC	1624036	FRL 1 50 012 RA
		1424032	FRL 1/2 50 08 RMSA		
		1424036	FRL 1/2 50 08 RA		
		1424412	FRL 1/2 50 08 SAC		
		1424053	FRL 1/2 4 012 RMSA		
		1424057	FRL 1/2 4 012 RA		
		1424413	FRL 1/2 4 012 SAC		
		1424054	FRL 1/2 20 012 RMSA		
		1424058	FRL 1/2 20 012 RA		
		1424414	FRL 1/2 20 012 SAC		
		1424056	FRL 1/2 50 012 RMSA		
		1424060	FRL 1/2 50 012 RA		
		1424416	FRL 1/2 50 012 SAC		

UNITS

FIL + REG + LUB New deal

FRPL 3/4"-1" Newdeal

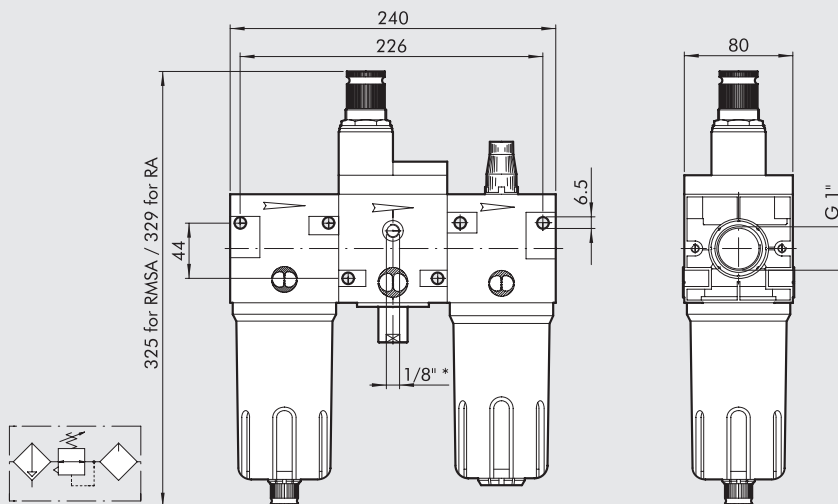


Refer to the sections on the single modules for a further description, components and other technical data.



TECHNICAL DATA		FRPL ND 3/4"	FRPL ND 1"
Threaded port		3/4"	1"
Setting range		0 to 8 - 0 to 12	
Max. temperature at 1 MPa; 10 bar; 145 psi	°C	50	
	°F	122	
Degree of filtration	µm	4 - 20 - 50	
Max. inlet pressure	MPa	1.3	
	bar	13	
	psi	188	
Flow rate at 6.3 bar (0.63 MPa to 91 psi) ΔP 0.5 bar (0.05 MPa to 7 psi)	Nl/min	7500	
	scfm	235	
Flow rate at 6.3 bar (0.63 MPa to 91 psi) ΔP 1 bar (0.1 MPa to 14 psi)	Nl/min	8500	
	scfm	266	
Weight	kg	3.6	
Wall fixing screws		M6 x 75	
Drain		RMSA - RA	
		RMSA: manual - semi-auto; RA: automatic.	
Fluid		Compressed air	
Bowl capacity	cm ³	170	
Note on use		<p>The maximum inlet pressure for the version with RA automatic condensate drainage must not exceed 10 bar.</p> <p>Do not take air from pressure gauge ports.</p>	

DIMENSIONS



*Pressure gauge port

SYNOPTIC, SIZES AND VERSIONS

FRPL ELEMENT	1/4 THREADED PORT	4 DEGREE OF FILTRATION	08 SETTING RANGE	RMSA TYPE OF DRAIN
FRPL	1" 3/4"	4 = 4 µm 20 = 20 µm 50 = 50 µm	08 = 0 to 8 bar 012 = 0 to 12 bar	RMSA RA

RMSA: drain with manual condensate discharge and automatic discharge at zero pressure.
 RA: automatic drain with condensate discharge, independent of pressure and flow rate. (for size 300 and 400). Version conveys the draining by inserting the pipe having internal diameter 6 mm in the lower port.
 FRPL: Filter + pilotable regulator + lubricator.

ORDERING CODES

Code	Description
FRPL 3/4"	
1528007	FRPL 3/4 4 08 RMSA
1528019	FRPL 3/4 4 08 RA
1528010	FRPL 3/4 4 012 RMSA
1528022	FRPL 3/4 4 012 RA
1528008	FRPL 3/4 20 08 RMSA
1528020	FRPL 3/4 20 08 RA
1528011	FRPL 3/4 20 012 RMSA
1528023	FRPL 3/4 20 012 RA
1528009	FRPL 3/4 50 08 RMSA
1528021	FRPL 3/4 50 08 RA
1528012	FRPL 3/4 50 012 RMSA
1528024	FRPL 3/4 50 012 RA
FRPL 1"	
1628007	FRPL 1 4 08 RMSA
1628019	FRPL 1 4 08 RA
1628010	FRPL 1 4 012 RMSA
1628022	FRPL 1 4 012 RA
1628008	FRPL 1 20 08 RMSA
1628020	FRPL 1 20 08 RA
1628011	FRPL 1 20 012 RMSA
1628023	FRPL 1 20 012 RA
1628009	FRPL 1 50 08 RMSA
1628021	FRPL 1 50 08 RA
1628012	FRPL 1 50 012 RMSA
1628024	FRPL 1 50 012 RA

UNITS

FRPL 3/4" - 1" New deal

FR + LUB New deal



Heavy duty and reliable piston-operated FR + L unit.

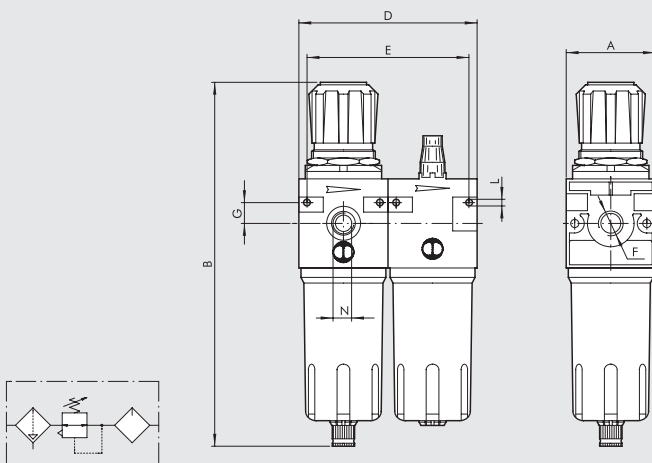
- Stability of the set pressure as the upstream pressure varies
- Metal bowl with external sight glass
- Semi-automatic and automatic condensate drain
- Quantity of lubricant proportioned to air flow
- Micrometric lubrication regulation
- Activation guaranteed with low flow rates

Refer to the sections on the single modules for a further description, components and other technical data.



TECHNICAL DATA		FR + L ND 1/4"	FR + L ND 3/8"	FR + L ND 1/2"
Threaded port		1/4"	3/8"	1/2"
Setting range	bar	0 to 8 - 0 to 12		0 to 8 - 0 to 12
Degree of filtration	µm	4 - 20 - 50		4 - 20 - 50
Max. inlet pressure	MPa	1.8		1.8
	bar	18		18
Flow rate at 6.3 bar (0.63 MPa to 91 psi) ΔP 0.5 bar (0.05 MPa to 7 psi)	NI/min	261		261
	scfm	150		1300
Flow rate at 6.3 bar (0.63 MPa to 91 psi) ΔP 1 bar (0.1 MPa to 14 psi)	NI/min	5.3		46
	scfm	500		2200
Max temperature at 1 MPa; 10 bar; 145 psi	°C	18		78
	°F	50		50
Weight	kg	122		122
		0.9		2
Wall fixing screws		M4 x 40		M4 x 55
Fluid		Compressed air		
Note on use		The maximum inlet pressure for the version with RA automatic condensate drainage must not exceed 10 bar. Do not take air from pressure gauge ports.		

DIMENSIONS



	FR + L ND 1/4"	FR + L ND 3/8"	FR + L ND 1/2"
Threaded port F	1/4"	3/8"	1/2"
A	42		60
B	RMSA		245
	RA		249
	SAC		249
D	84		120
E	76		109
G	10		14
L	Hole for M4 screws		Hole for M4 screws
N (pressure gauge port)	1/8"		1/8"

SYNOPTIC, SIZES AND VERSIONS

FR + L ELEMENT	1/4 THREADED PORT	4 DEGREE OF FILTERING	08 SETTING RANGE	RMSA CONDENSATE DRAIN
FR + L	1/4 3/8 1/2	4 = 4 µm 20 = 20 µm 50 = 50 µm	08 = 0 to 8 bar 012 = 0 to 12 bar	RMSA SAC RMSA SAC RA*

RMSA: drain with manual condensate discharge and automatic discharge at zero pressure.

RA: automatic drain with condensate discharge, independent of pressure and flow rate.

Version conveys the draining by inserting the pipe having internal diameter 6 mm in the lower port.

SAC: automatic drain with condensate discharge.

Operates by pressure drop – requires variable air take-offs.

* For ND 3/8 and 1/2 with RA, please contact our sales assistance department.

ORDERING CODES

Code	Description	Code	Description
FR + L 1/4"		FR + L 3/8"	
1226029	FR+L 1/4 4 08 RMSA	1326029	FR+L 3/8 4 08 RMSA
1226409	FR+L 1/4 4 08 SAC	1326409	FR+L 3/8 4 08 SAC
1226053	FR+L 1/4 4 012 RMSA	1326053	FR+L 3/8 4 012 RMSA
1226413	FR+L 1/4 4 012 SAC	1326413	FR+L 3/8 4 012 SAC
1226030	FR+L 1/4 20 08 RMSA	1326030	FR+L 3/8 20 08 RMSA
1226410	FR+L 1/4 20 08 SAC	1326034	FR+L 3/8 20 08 RA
1226054	FR+L 1/4 20 012 RMSA	1326410	FR+L 3/8 20 08 SAC
1226414	FR+L 1/4 20 012 SAC	1326054	FR+L 3/8 20 012 RMSA
1226032	FR+L 1/4 50 08 RMSA	1326058	FR+L 3/8 20 012 RA
1226412	FR+L 1/4 50 08 SAC	1326414	FR+L 3/8 20 012 SAC
1226056	FR+L 1/4 50 012 RMSA	1326032	FR+L 3/8 50 08 RMSA
1226416	FR+L 1/4 50 012 SAC	1326412	FR+L 3/8 50 08 SAC
		1326056	FR+L 3/8 50 012 RMSA
		1326416	FR+L 3/8 50 012 SAC
		FR + L 1/2"	
		1426029	FR+L 1/2 4 08 RMSA
		1426409	FR+L 1/2 4 08 SAC
		1426053	FR+L 1/2 4 012 RMSA
		1426413	FR+L 1/2 4 012 SAC
		1426030	FR+L 1/2 20 08 RMSA
		1426034	FR+L 1/2 20 08 RA
		1426410	FR+L 1/2 20 08 SAC
		1426054	FR+L 1/2 20 012 RMSA
		1426058	FR+L 1/2 20 012 RA
		1426414	FR+L 1/2 20 012 SAC
		1426032	FR+L 1/2 50 08 RMSA
		1426412	FR+L 1/2 50 08 SAC
		1426056	FR+L 1/2 50 012 RMSA
		1426416	FR+L 1/2 50 012 SAC

UNITS

FR + LUB New deal

V3V + FR + LUB Newdeal

Highly reliable heavy-duty piston-operated FRFL unit.

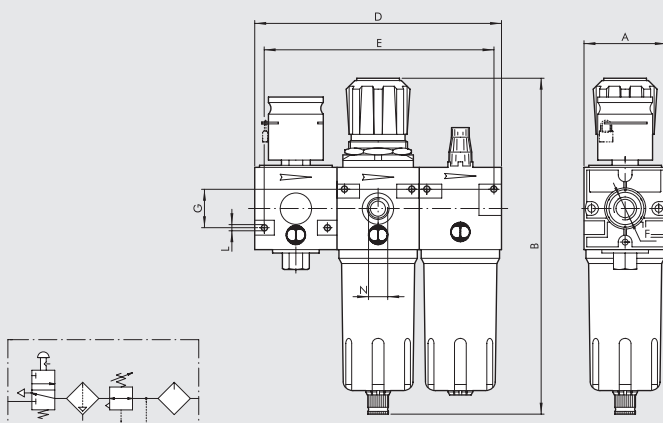
- Stability of the set pressure as the upstream pressure varies
- Metal bowl with external sight glass
- Semi-automatic and automatic condensate drain
- Quantity of lubricant proportionate to the air flow
- Micrometric lubrication regulation
- Activation guaranteed at low air flows
- Quick filling and drainage of the downstream circuit with the V3V element

Refer to the sections on the single modules for a further description, components and other technical data.



TECHNICAL DATA		VFR + L ND 1/4"	VFR + L ND 3/8"	VFR + L ND 1/2"
Threaded port		1/4"	3/8"	1/2"
Setting range	bar	0 to 8 - 0 to 12		0 to 8 - 0 to 12
Degree of filtration	µm	4 - 20 - 50		4 - 20 - 50
Max. inlet pressure	MPa	1.8		1.8
	bar	18		18
	psi	261		261
Flow rate at 6.3 bar (0.63 MPa to 91 psi) ΔP 0.5 bar (0.05 MPa to 7 psi)	Nl/min	140		1000
	scfm	5		35.5
Flow rate at 6.3 bar (0.63 MPa to 91 psi) ΔP 1 bar (0.1 MPa to 14 psi)	Nl/min	480		1900
	scfm	17		67.5
Max temperature at 1 MPa; 10 bar; 145 psi	°C	50		50
	°F	122		122
Weight	kg	1.1		1.8
Wall fixing screws		M4 x 40		M4 x 55
Fluid		Compressed air		
Note on use		The maximum inlet pressure for the version with RA automatic condensate drainage must not exceed 10 bar. Do not take air from pressure gauge ports.		

DIMENSIONS



	VFR + L ND 1/4"	VFR + L ND 3/8"	VFR + L ND 1/2"
Threaded port F	1/4"	3/8"	1/2"
A	42		60
B	RMSA 190		245
	RA -		249
	SAC 194		249
D	126		180
E	116		166
G	20		28
L	Hole for M4 screws		Hole for M4 screws
N (pressure gauge port)	1/8"		1/8"

SYNOPTIC, SIZES AND VERSIONS

VFR + L ELEMENT	1/4 THREADED PORT	20 DEGREE OF FILTERING	08 SETTING RANGE	RMSA CONDENSATE DRAIN
VFR + L	1/4 3/8 1/2	4 = 4 µm 20 = 20 µm 50 = 50 µm	08 = 0 to 8 bar 012 = 0 to 12 bar	RMSA SAC RMSA SAC RA

RMSA: drain with manual condensate discharge and automatic discharge at zero pressure.
 RA: automatic drain with condensate discharge, independent of pressure and flow rate.
 Version conveys the draining by inserting the pipe having internal diameter 6 mm in the lower port.
 SAC: automatic drain with condensate discharge.
Operates by pressure drop – requires variable air take-offs.

ORDERING CODES

Code	Description
1272030	VFR+L 1/4 20 RMSA 08
1272054	VFR+L 1/4 20 RMSA 012
1372030	VFR+L 3/8 20 RMSA 08
1372054	VFR+L 3/8 20 RMSA 012
1472030	VFR+L 1/2 20 RMSA 08
1472054	VFR+L 1/2 20 RMSA 012
1472032	VFR+L 1/2 50 RMSA 08
1472056	VFR+L 1/2 50 RMSA 012

The following versions are available on request:
 - with 4 µm or 50 µm degree of filtration
 - with SAC or RA condensate discharge

FIL + DEP Newdeal



Filter + depurator unit for fine filtering followed by purification by coalescence

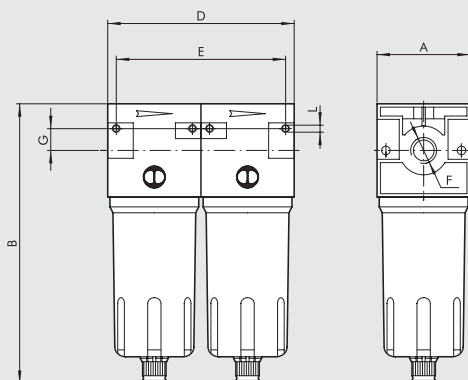
- Metal bowl with external sight glass
- Semi-automatic condensate drain

Refer to the sections on the single modules for a further description, components and other technical data.



TECHNICAL DATA		F + D ND 3/8"	F + D ND -1/2"
Threaded port		3/8"	1/2"
Degree of filtration	µm		4
Degree of depuration	µm		99.97% 0.01
Max. inlet pressure	MPa		1.8
	bar		18
	psi		261
Maximum suggested flow rate		Please look at the flow rate curves at page C4.9	
Max temperature at 1 MPa; 10 bar; 145 psi	°C		50
	°F		122
Weight	kg		1.8
Wall fixing screws			M4 x 55
Fluid			Compressed air
Note on use		The maximum inlet pressure for the version with RA automatic condensate drainage must not exceed 10 bar.	

DIMENSIONS



		F + D ND 3/8"	F + D ND -1/2"
Threaded port F		3/8"	1/2"
A			60
B	RMSA		180
	RA		184
	SAC		184
D			120
E			106
G			14
L		Hole for M4 screws	

SYNOPTIC, SIZES AND VERSIONS

F + D ELEMENT	3/8 THREADED PORT	4 DEGREE OF FILTERING	RMSA CONDENSATE DRAIN	RMSA CONDENSATE DRAIN
F + D	3/8 1/2	4 = 4 µm	RMSA SAC RA	RMSA RA

RMSA: drain with manual condensate discharge and automatic discharge at zero pressure.
 RA: automatic drain with condensate discharge, independent of pressure and flow rate.
 Version conveys the draining by inserting the pipe having internal diameter 6 mm in the lower port.
 SAC: automatic drain with condensate discharge.
Operates by pressure drop – requires variable air take-offs.

ORDERING CODES

Code	Description
1327004	F+D 3/8 4 RMSA-RMSA
1327007	F+D 3/8 4 RA-RA
1327104	F+D 3/8 4 SAC-RMSA
1427004	F+D 1/2 4 RMSA-RMSA
1427007	F+D 1/2 4 RA-RA
1427104	F+D 1/2 4 SAC-RMSA

UNITS

FIL + DEP New deal

FIL + LUB New deal

Filter + lubricator unit offering various degrees of filtration and high lubrication stability.

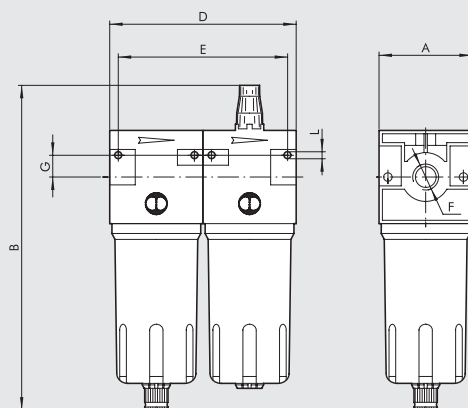
- Metal bowl with external sight glass
- Semi-automatic and automatic condensate drain
- Micrometric lubrication regulation
- Activation guaranteed at low air flows

Refer to the sections on the single modules for a further description, components and other technical data.



TECHNICAL DATA		F + L ND 1/4"	F + L ND 3/8"	F + L ND 1/2"	F + L ND 3/4"	F + L ND 1"
Threaded port		1/4"	3/8"	1/2"	3/4"	1"
Lubrication		mist	mist		mist	
Degree of filtration	µm	4 - 20 - 50	4 - 20 - 50		4 - 20 - 50	
Max. inlet pressure	MPa	1.8	1.8		1.8	
	bar	18	18		18	
	psi	261	261		261	
Flow rate at 6.3 bar (0.63 MPa to 91 psi) ΔP 0.5 bar (0.05 MPa to 7 psi)	NI/min	600	2500		8000	
	scfm	21	89		282	
Flow rate at 6.3 bar (0.63 MPa to 91 psi) ΔP 1 bar (0.1 MPa to 14 psi)	NI/min	1000	3500		9500	
	scfm	35.5	124		335	
Max temperature at 1 MPa; 10 bar; 145 psi	°C	50	50		50	
	°F	122	122		122	
Weight	kg	0.8	1.8		2.5	
Wall fixing screws		M4 x 40	M4 x 55		M6 x 75	
Fluid		Compressed air				
Note on use		The maximum inlet pressure for the version with RA automatic condensate drainage must not exceed 10 bar.				

DIMENSIONS



	F + L ND 1/4"	F + L ND 3/8"	F + L ND 1/2"	F + L ND 3/4"	F + L ND 1"
Threaded port F	1/4"	3/8"	1/2"	3/4"	1"
A	42	60		80	
B	RMSA 170	209		273	
	RA -	213		277	
	SAC 174	213		277	
D	84	120		160	
E	74	106		146	
G	10	14		22	
L	Hole for M4 screws	Hole for M4 screws		Hole for M6 screws	

SYNOPTIC, SIZES AND VERSIONS

F + L ELEMENT	1/4 THREADED PORT	4 DEGREE OF FILTERING	RMSA CONDENSATE DRAIN
F + L	1/4	4 = 4 µm 20 = 20 µm 50 = 50 µm	RMSA
	3/8		SAC
	1/2		RMSA
	3/4		SAC
	1		RA

RMSA: drain with manual condensate discharge and automatic discharge at zero pressure.

RA: automatic drain with condensate discharge, independent of pressure and flow rate.
Version conveys the draining by inserting the pipe having internal diameter 6 mm in the lower port.

SAC: automatic drain with condensate discharge.
Operates by pressure drop – requires variable air take-offs.

ORDERING CODES

Code	Description
1233006	F+L 1/4 20 RMSA
1333006	F+L 3/8 20 RMSA
1433006	F+L 1/2 20 RMSA
1533006	F+L 3/4 20 RMSA
1633006	F+L 1 20 RMSA

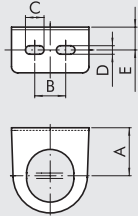
The following versions are available on request:

- with 4 µm or 50 µm degree of filtration
- with SAC or RA condensate discharge

Newdeal ACCESSORIES



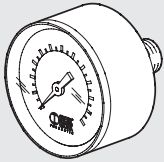
MOUNTING BRACKET FOR REG.



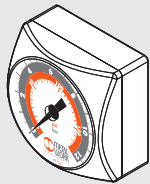
Code	Description
9200701	SF 1/4
9400701	SF 1/2

Code	A	B	C	D	E
9200701	32	20	12	5.5	14.2
9400701	42	40	12	5.5	15

PRESSURE GAUGE

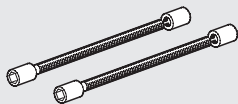


Code	Description
9700102	M 40 1/8 04
9700101	M 40 1/8 012
9800102	M 50 1/8 04
9800101	M 50 1/8 012
9900101	M 63 1/4 012

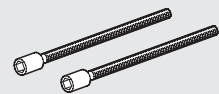


9700109	M 40x40 1/8 04
9700110	M 40x40 1/8 012

TIE RODS

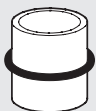


Code	Description
9200901	T 1/4 F+L tie rods
9400901	T 1/2 F+L tie rods
9600901	T 3/4 F+L tie rods



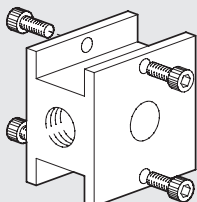
9604402	V3V+F+R 3/4-1 tie rods
---------	------------------------

ADAPTER FOR V3V



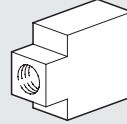
Code	Description
9201001	Adapt. X V3V+FR/D 1/4
9401001	Adapt. X V3V+D 3/8
9401002	Adapt. X V3V+D 1/2
9601001	Adapt. X V3V+F 1

REGULATOR CONNECTION BLOCK



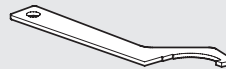
Code	Description	Weight [g]
9200501	BC 1/4 block	90
9400501	BC 1/2 block	244
9600501	BC 3/4 block	428

SPACERS FOR FRL WALL MOUNTING



Code	Description
9200601	DF 1/4 spacer
9400601	DF 1/2 spacer
9600601	DF 3/4 spacer

DISASSEMBLY TOOL FOR BOWL



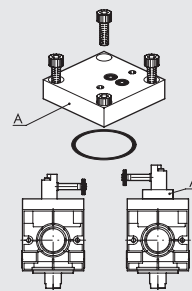
Code	Description
9601501	Disassembly key

ASSEMBLY SCREWS (2 PIECES)



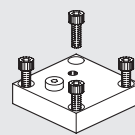
Code	Description
9250001	CVA 1/4 screw M4x40
9250002	CVA 1/4 screw M4x82 V3V+F+R
9450001	CVA 1/2 screw M5x55
9450002	CVA 3/8 1/2 screw M5x60 V3V+R
9450003	CVA 3/8 1/2 screw M5x120 V3V+F+R
9650001	CVA 3/4 screw M6X70

REVERSE PLATE CNOMO CONTROL FOR V3V 3/4"-1"



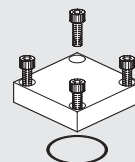
Code	Description	Weight [g]
9640201	Reverse plate kit V3V cnomo control	86

PLATE FOR REMOTE CONTROL FOR V3V 3/4"-1"



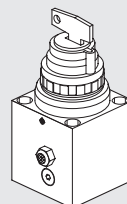
Code	Description	Weight [g]
9640001	Remote control plate kit	84

REG OR V3V END PLATE



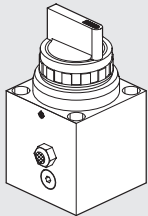
Code	Description	Weight [g]
9640101	End plate kit for regulator or V3V	82

KEY CONTROL FOR V3V 3/4"-1"



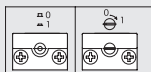
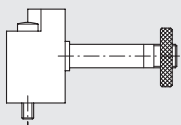
Code	Description	Weight [g]
9640301	Key control kit for V3V	364

MANUAL CONTROL FOR V3V 3/4"-1"



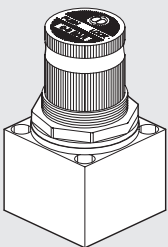
Code	Description	Weight [g]
9640401	Manual control kit for V3V	340

CNOMO CONTROL FOR V3V 3/4"-1"



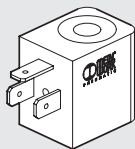
Code	Description
9453920	Elpn cnomo control kit, manual monostable
9453922	Elpn cnomo control kit, manual bistable

PILOT REGULATOR FOR ND 3/4-1"



Code	Description	Weight [g]
9640501	02 pilot regulator kit	220
9640502	04 pilot regulator kit	220
9640503	08 pilot regulator kit	220
9640504	012 pilot regulator kit	220

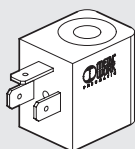
COIL 22 mm FOR V3V ELPN



Code	Description
W0215000151	Coil 22 Ø 8 BA 2W-12VDC
W0215000101	Coil 22 Ø 8 BA 2W-24VDC
W0215000111	Coil 22 Ø 8 BA 3.5VA-24VAC
W0215000121	Coil 22 Ø 8 BA 3.5VA-110VAC
W0215000131	Coil 22 Ø 8 BA 3.5VA-220VAC

Electrical connection DIN 43650 B-IND

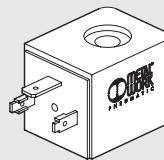
COIL 22 mm FOR V3V ELPN



Code	Description
W0215000251	Coil 22 Ø 8 BA 2W-12VDC UR
W0215000201	Coil 22 Ø 8 BA 2W-24VDC UR
W0215000211	Coil 22 Ø 8 BA 3.5VA-24VAC UR
W0215000221	Coil 22 Ø 8 BA 3.5VA-110VAC UR
W0215000231	Coil 22 Ø 8 BA 3.5VA-220VAC UR

Electrical connection DIN 43650 B-IND

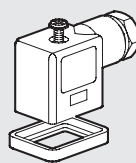
COIL 30 mm FOR V3V ELPN



Code	Description
W0210010100	Coil 30 Ø 8 2W 24VDC
W0210011100	Coil 30 Ø 8 3.5VA 24VAC 50/60HZ
W0210012100	Coil 30 Ø 8 3.5VA 110VAC 50/60HZ
W0210013100	Coil 30 Ø 8 3.5VA 220VAC 50/60HZ

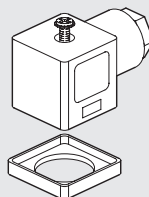
Electrical connection DIN 43650 - A

ELECTRIC CONNECTOR 22 mm FOR COILS DIN 43650 B-IND



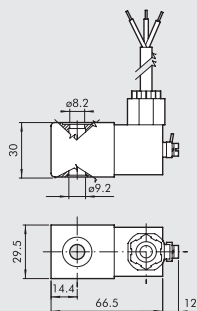
Code	Description
W0970510011	Connector standard
W0970510012	Connector 22 LED 24V
W0970510013	Connector 22 LED 110V
W0970510014	Connector 22 LED 220V
W0970510015	Connector 22 LED VDR 24V
W0970510016	Connector 22 LED VDR 110V
W0970510017	Connector 22 LED VDR 220V
W0970510070	Connector 22 ATEX II 2 GD

ELECTRIC CONNECTOR 30 mm FOR COILS DIN 43650-A



Code	Description
W0970520033	Connector standard
W0970520034	Connector 30 LED 24V
W0970520035	Connector 30 LED 110V
W0970520036	Connector 30 LED 220V
W0970520037	Connector 30 VDR 24V
W0970520038	Connector 30 VDR 110V
W0970520039	Connector 30 VDR 220V

KIT COIL EEXM



Code	Description
0227606913	Kit for coil 30 24 VDC EEXMT5 cable 3m
0227606915	Kit for coil 30 24 VDC EEXMT5 cable 5m
0227608013	Kit for coil 30 24 VAC EEXMT5 cable 3m
0227608015	Kit for coil 30 24 VAC EEXMT5 cable 5m
0227608023	Kit for coil 30 110 VAC EEXMT5 cable 3m
0227608025	Kit for coil 30 110 VAC EEXMT5 cable 5m
0227608033	Kit for coil 30 230 VAC EEXMT5 cable 3m
0227608035	Kit for coil 30 230 VAC EEXMT5 cable 5m

According to Atex 2014/34/EU rule,
 Ex II 2G Ex mb IIC T4/T5 Gb
 Ex II 2D Ex tb IIC T130/T95 °C IP66 Db
 N.B.: Supplied complete with adapter for Ø8 mm sleeve

KIT FOR COIL SIDE 22 IP65



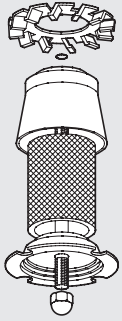
Code	Description
0222100100	Kit for coil 22 - IP65

Improved IP65 protection, even after prolonged exposure to atmospheric agents.
 Applicable to valves with a technopolymer control.

Newdeal SPARE PARTS

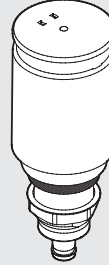


FILTER AND FILTER REGULATOR FILTERING ELEMENT



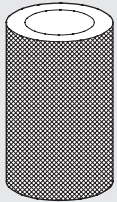
Code	Description
9450102	Spares FP 1/2 20
9450103	Spares FP 1/2 4
9450101	Spares FP 1/2 50
9250102	Spares FP 1/4 20
9250103	Spares FP 1/4 4
9250101	Spares FP 1/4 50
9650103	Spares FP 3/4 4
9650102	Spares FP 3/4 20
9650101	Spares FP 3/4 50

AUTOMATIC DRAIN (RA)



Code	Description
9000802	Spares RA automatic drain

FILTERING ELEMENT FOR DEPURATOR



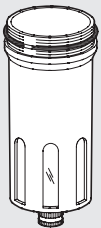
Code	Description
9450105	Spares kit FP DEP. 3/8 1/2

AUTOMATIC DRAIN (SAC)



Code	Description
9000803	Spares SAC automatic drain

METAL FILTER BOWL



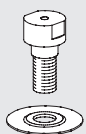
Code	Description
9450301	Spares TMVF 1/2 RMSA
945201	Spares TMVF 1/2 SAC
9250301	Spares TMVF 1/4 RMSA
925201	Spares TMVF 1/4 SAC
9650301	Spares TMVF 3/4 1 RMSA

SPRINGS FOR REGULATORS AND FILTER REGULATOR



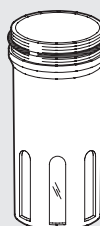
Code	Description
9250601	Spares MO 02 1/4
9250602	Spares MO 04 1/4
9250603	Spares MO 08 1/4
9250604	Spares MO 12 1/4
9450601	Spares MO 04 1/2
9450602	Spares MO 08 1/2
9450603	Spares MO 12 1/2
9650601	Spares MO 04 3/4
9650602	Spares MO 08 3/4
9650603	Spares MO 12 3/4

VENTURI LUBRICATOR DIAPHRAGM



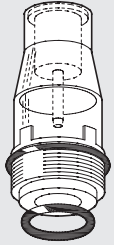
Code	Description
9252001	Spares MB 100 1/4
9352001	Spares MB 200 1/4 3/8 1/2
9652002	Spares MB 3/4-1

METAL LUBRICATOR BOWL



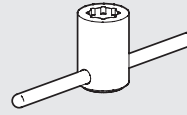
Code	Description
9251201	Spares TMVL 1/4
9451201	Spares TMVL 1/2
9651201	Spares TMVL 3/4

TRANSPARENT LUBRICATOR COVER



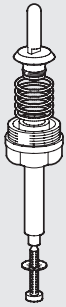
Code	Description
9251302	Spares CVL 100-200-300-400 BIT

DOME DISASSEMBLY SPANNER



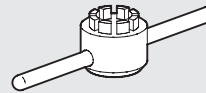
Code	Description
9220701	Acc cover LUB spanner

COMPLETE POPPET FOR FILTER REGULATOR



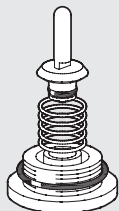
Code	Description
9250901	Spares OTR 1/4
9450901	Spares OTR 1/2

POPPET DISASSEMBLY SPANNER (FOR REG)



Code	Description
9220501	R cap disass. wr. 100

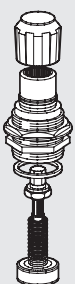
COMPLETE POPPER FOR REGULATOR



Code	Description
9250701	Spares OTR 1/4
9450701	Spares OTR 1/2
9650701	Spares OTR 3/4

NOTES

UPPER COVER FOR REGULATOR AND FILTER REGULATOR



Code	Description
9250801	Spares CS 1/4 02
9250802	Spares CS 1/4 04
9250803	Spares CS 1/4 08
9250804	Spares CS 1/4 012
9450801	Spares CS 1/2 04
9450802	Spares CS 1/2 08
9450803	Spares CS 1/2 12
9650801	Spares CS 3/4 04
9650802	Spares CS 3/4 08
9650803	Spares CS 3/4 12