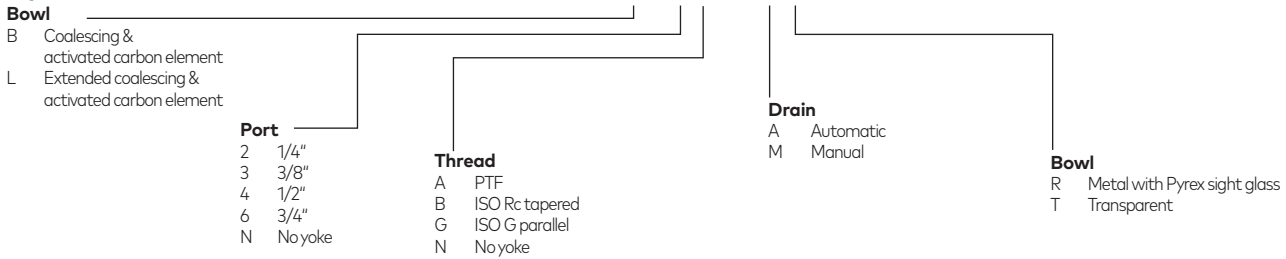


Option selector

Technical Data

Fluid: Compressed air
 Metal bowl: 17 bar (250 psig)
 Transparent bowl: 10 bar (150 psig)
 Operating temperature*:
 Metal bowl: -20° ... +65°C (0° ... +150°F)
 Transparent bowl: -20° ... +50°C (0° ... +125°F)
 * Air supply must be dry enough to avoid ice formation at temperatures below +2°C (+35°F).

Integral F64B/L Pre-filter Element: 40 µm nominal

Particle Removal F64B/L: 0,01 µm
 Maximum Remaining Oil Content:
 0,003 mg/m3 at +21°C (+70°F)
 Air Quality: Within ISO8573-1:2010: 1:7:0

Typical performance characteristics

Inlet pressure (bar)	Maximum flow (dm ³ /s) *	
	F64B	F64L
1	6,7	7,1
3	10,7	11,3
5	13,8	14,4
6,3	15,6	16,3
7	16,5	17,2
9	18,8	19,5

* Maximum flow to maintain stated oil removal performance.

Automatic drain connection: 1/8"

Automatic drain operating conditions:

Bowl pressure required to close drain:

Greater than 0,3 bar (5 psig)

Bowl pressure required to open drain:

Less than 0,2 bar (3 psig)

Minimum air flow required to close drain:

1 dm³/s (2 scfm)

Manual operation: Depress pin inside drain outlet to drain bowl

Nominal bowl size: 0,2 litre (7 fluid oz)

Materials:

Body: Zinc

Bowl:

Metal: Zinc

Transparent: Polycarbonate

Metal bowl sight glass, standard: Pyrex

Element: Composite materials

Elastomers: Synthetic rubber

Replacement Items

Service Kit
 (Item No. (s) 3, 5, 8, 9, 14, 16, 17, 18, 20):
 F64B- F64B-KITAOV
 F64L- F64L-KITAOV
 Pyrex sight glass kit (Item No. 7) 2273-97
 Element, coalescing (Item No. 3):
 F64B 5350-99
 F64L 5350-98
 Element, integral pre-filter
 (Item No. 16) 3698-02
 Activated carbon pack
 (Item No. 18) 5568-02
 Manual drain (Item No. 9, 12, 13, 14) 684-84
 Automatic drain (Item No. 8) 6000-70
 Automatic drain - USA only
 (Item No. 8) 3000-70

Operation

On exceptionally dirty lines it may be necessary to clean the pre-filter element at 90 day intervals.

Do not exceed Maximum Flow rating or excessive pressure drop will result or oil carry over may occur.

The top filter element acts as absorbant pack to remove any small traces of oil or hydro-carbon gases which might be carried over from the lower bowl.

These elements also provide protection in the event of any failure of the lower filter.

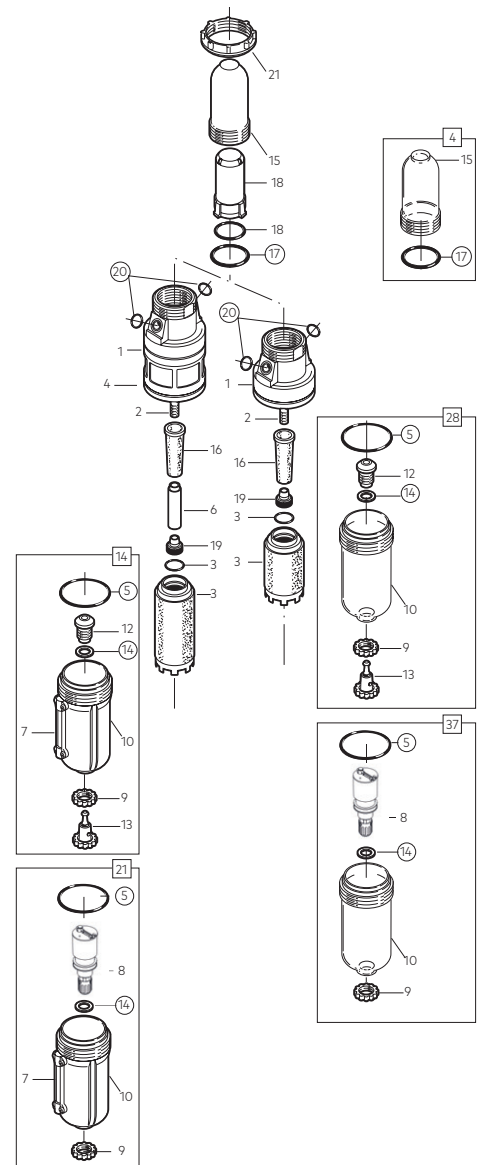
Resistance to air flow will gradually increase as the filter element collects solid particles.

The pressure differential across the element should not be allowed to exceed 0,7 bar (10 psi) or damage to the element may occur.

Servicing

Air Service equipment should be initially maintained annually. Use, quality of air and condition at examination may indicate adjustment of the maintenance interval.

1. Open manual drain to expel accumulated liquids. Keep liquids below element (3).
2. To operate automatic drain manually, lift operating pin in bottom outlet with a blunt rod.
3. Clean or replace filter element when dirty.



Disassembly

1. Shut off inlet pressure. Reduce pressure in inlet and outlet lines to zero.
2. For ease of maintenance the unit can be removed from the yoke by unscrewing the clamp ring, which will jack the unit out downwards.
3. To disassemble the lower filter section unscrew the filter bowl (10) and remove with bowl o-ring (5).
4. Remove coalescing element (3) by hand.
5. Remove pre-filter element (16).
6. Unscrew top bowl and remove top element (18).
7. Disassemble in general accordance with the item numbers on exploded view. Do not remove the drains unless replacement is necessary. Remove and replace only if they malfunction.

Cleaning

1. Partial cleaning of the pre-filter element (16) is possible by washing the element in soapy water and blowing out thoroughly with compressed air. Replacement by a clean element is recommended. The main coalescing element (3) will need renewing if pressure drop becomes excessive. It is not designed to be cleaned. Replace carbon pack (18) with new element if discoloured due to oil adsorption. When replacing or renewing top element, wipe main filter body thoroughly to remove all traces of oil and renew o-ring. If top element becomes saturated with oil in a short period, the main element or o-ring may be faulty and should be replaced. Clean plastic bowl (10) with warm water only. Clean other parts with warm water and soap.
2. Rinse and dry parts. Blow out internal passages in body with clean, dry compressed air.
3. Inspect parts. Replace those found to be damaged. Replace plastic bowl with a metal bowl if plastic bowl shows signs of cracking or cloudiness.

General assembly

1. Lubricate o-rings with o-ring grease, except Activated carbon pack O-ring (18).
2. Assemble the unit as shown on the exploded view.
3. Turn bowl (10) fully clockwise into body.

Activated carbon pack (18) change

1. Place separately O-ring (18) into groove of the filter body. (Do not grease Activated carbon pack O-ring pos. 18).
2. Then place Activated carbon pack into the filter body.

Caution

Water vapor will pass through these units and could condense into liquid form downstream as air temperature drops. Install an air dryer if water condensation could have a detrimental effect on the application.

Warning

These products are intended for use in industrial compressed air systems only. Do not use these products where pressures and temperatures can exceed those listed under Technical Data.

Polycarbonate plastic bowls can be damaged and possibly burst if exposed to such substances as certain solvents, strong alkalis, compressor oils containing ester-based additives or synthetic oils. Fumes of these substances in contact with the polycarbonate bowl, externally or internally, can also result in damage. Clean with warm water only.

Use metal bowl in applications where a plastic bowl might be exposed to substances that are incompatible with polycarbonate. Before using these products with fluids other than air, for non industrial applications, or for life-support systems consult Norgren.

