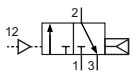


Technical details

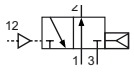
Connection	BP-01: G1/8 BP-02: G1/4
Nominal size	BP-01: 5 mm BP-02: 7 mm
Temperature range	-10°C ... +60°C
Medium	Filtered, oil-free and dried compressed air according to ISO 8573-1:2010, Class 7:2:4, instrument air, free of aggressive additives. Alternatively the pressure dew point must be at least 10°C below lowest occurring ambient temperature.
Materials	Body: Al (anodized), plastic, seals: NBR, PU, inner parts: Al, brass, plastic



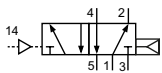
Pneumatically operated spool valve. The valve switches upon pressurization of the pilot port.

3/2- and 5/2-way valves


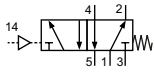
BP-01-310
BP-02-310
3/2-way, single pilot, air spring return, NC



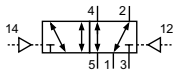
BP-01-312
BP-02-312
3/2-way, single pilot, air spring return, NO



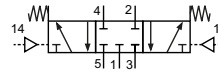
BP-01-510
BP-02-510
5/2-way, single pilot, air spring return



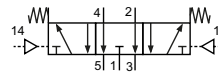
BP-01-511
BP-02-511
5/2-way, single pilot, mechanical spring return



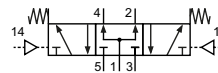
BP-01-520
BP-02-520
5/2-way, double pilot

5/3-way valves


BP-01-530
BP-02-530
5/3-way, center position closed



BP-01-533
BP-02-533
5/3-way, center position exhausted



BP-01-534
BP-02-534
5/3-way, center position pressurized

Technical data

Model-no.:	BP-01-310	BP-01-320	BP-02-310	BP-02-312
Operating pressure (bar)	2 ... 8	2 ... 8	2 ... 8	2 ... 8
Pilot pressure (bar)	2 ... 8	2 ... 8	2 ... 8	2 ... 8
Flow rate (NI/min)	660	600	1090	920
Weight (kg)	0.065	0.066	0.125	0.125

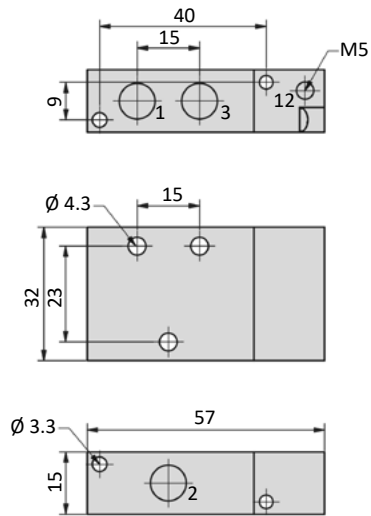
Model-no.:	BP-01-510	BP-01-511	BP-01-520	BP-01-530	BP-01-533	BP-01-534
Operating pressure (bar)	2 ... 8	-0.95 ... 8	-0.95 ... 8	-0.95 ... 8	-0.95 ... 8	-0.95 ... 8
Pilot pressure (bar)	2 ... 8	3 ... 8	2 ... 8	3 ... 8	3 ... 8	3 ... 8
Flow rate (NI/min)	780	800	790	690	670	1030
Weight (kg)	0.090	0.092	0.102	0.100	0.100	0.100

Model-no.:	BP-02-510	BP-02-511	BP-02-520	BP-02-530	BP-02-533	BP-02-534
Operating pressure (bar)	2 ... 8	-0.95 ... 8	-0.95 ... 8	-0.95 ... 8	-0.95 ... 8	-0.95 ... 8
Pilot pressure (bar)	2 ... 8	3 ... 8	2 ... 8	3 ... 8	3 ... 8	3 ... 8
Flow rate (NI/min)	1700	1600	1540	1300	1470	1660
Weight (kg)	0.185	0.185	0.210	0.202	0.202	0.202

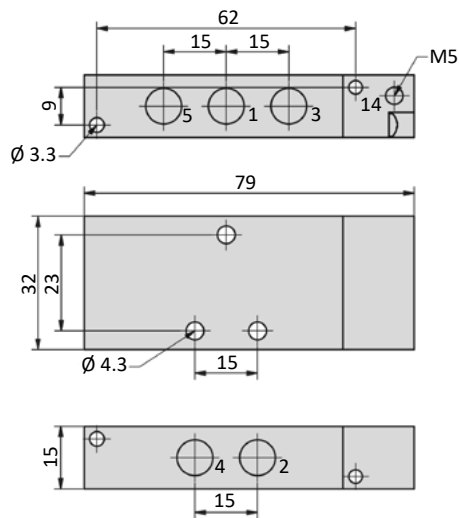
Series BP-01 and BP-02

Dimensions

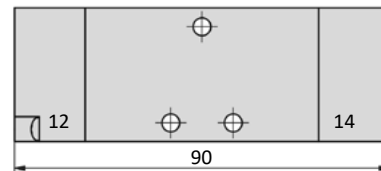
BP-01-31x



BP-01-51x



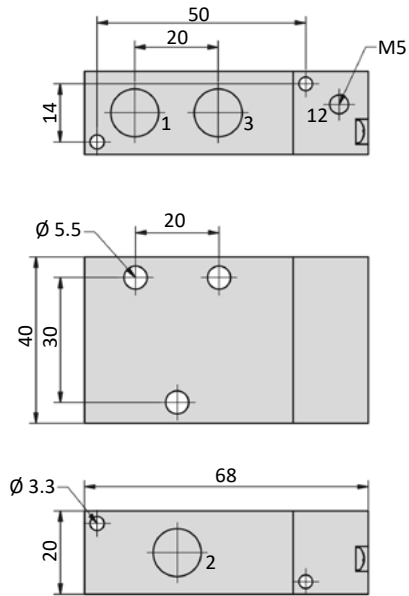
BP-01-520, BP-01-53x



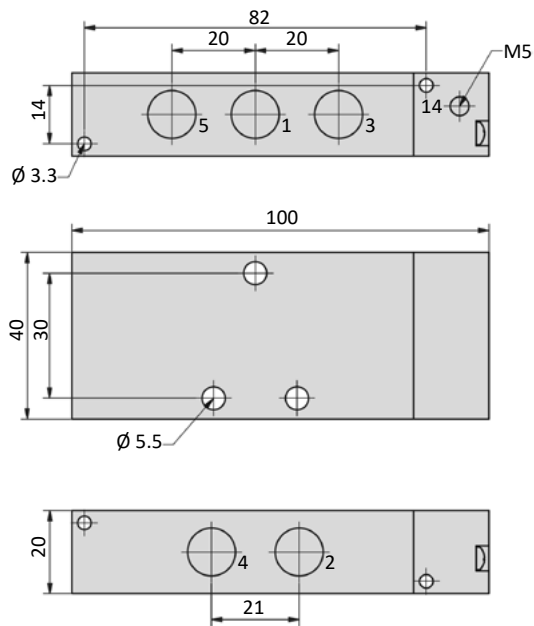
- 1 = pressure inlet
- 2,4 = outlets
- 3,5 = exhausts
- 12,14 = pilot ports

Dimensions

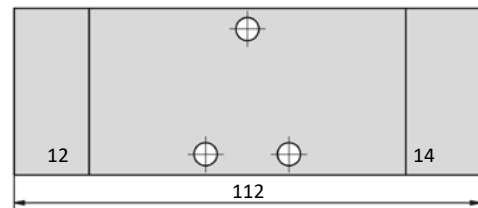
BP-02-31x



BP-02-51x



BP-02-520, BP-02-53x



- 1 = pressure inlet
- 2,4 = outlets
- 3,5 = exhausts
- 12,14 = pilot ports